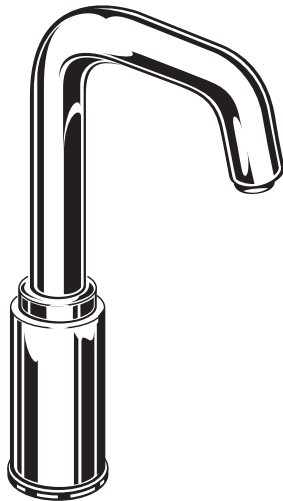
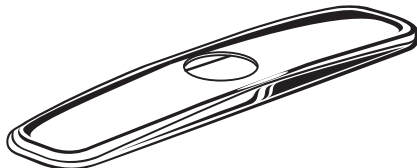


## SERIN™ Deck Mount Electronic Proximity Lavatory Faucet

MODEL NUMBERS		
2064.14X	2064.15X	206B.10X



Optional 206P400.XXX, 4" Deck Plate



Optional 206P800.XXX, 8" Deck Plate

**CAUTION:** Use only American Standard supplied transformers and cable sets. Using non-AS supplied cables, or cutting, splicing or modifying any components will void the warranty.

<b>Product No's &amp; Options</b>	<b>1</b>
-----------------------------------	----------

<b>Specifications</b>	<b>2</b>
-----------------------	----------

<b>Faucet Installation</b>	<b>2-3</b>
----------------------------	------------

<b>Electrical Installation</b>	<b>4-6</b>
--------------------------------	------------

<b>Start-up / Maintenance</b>	<b>7-8</b>
-------------------------------	------------

<b>FAQ's / Troubleshooting</b>	<b>8-9</b>
--------------------------------	------------

<b>Replacement Parts</b>	<b>10</b>
--------------------------	-----------

Certified to comply with ASME A112.18.1  
© 2017 AS America, Inc.

*American Standard*

**NOTE TO INSTALLER: Please give this manual to the customer after installation.**

To learn more about American Standard Selectronic® Products visit our website at: [www.americanstandard-us.com](http://www.americanstandard-us.com) or e-mail us at: [CRTTEAM@lixilamericas.com](mailto:CRTTEAM@lixilamericas.com)

**For Parts, Service, Warranty or other Assistance,**  
please call (844) CRT-TEAM / (844) 278-8326 (In Canada: 1-800-387-0369)  
(In Toronto Area only: 1-905-306-1093)

*American Standard*  
**CRT**  
Certified Response Technician

Thank you for selecting American-Standard...the benchmark of fine quality for over 100 years. To ensure that your installation proceeds smoothly--please read these instructions carefully before you begin.

## UNPACKING

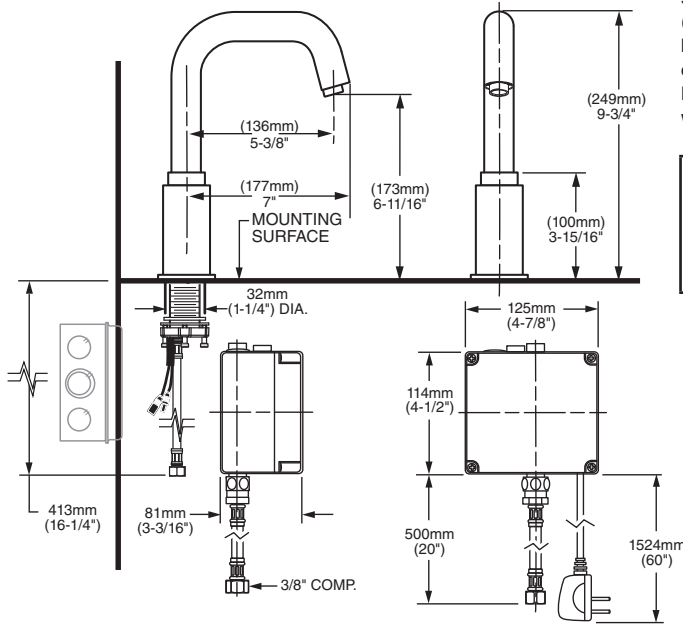
All American Standard Products Are Water Tested At Our Factory. Some Residual Water May Remain In The Valve During Shipping.

Remove the fitting and loose items from the carton. The illustration below shows all the fittings and loose items after they have been removed from the carton. Some items may be packaged partially assembled to other items.

1. Installation Instructions
2. Spout Assembly
3. Mounting Kit
4. Control Box
5. Supply Hose
6. 4" Deck plate (optional, must be ordered separately)
7. 8" Deck plate (optional, must be ordered separately)
8. Mixing Valve (optional, must be ordered separately)
9. Control Box Cover Screws

		Spout	POWER KITS SOLD SEPARATELY		
Base Product	<b>PRODUCT No.s</b> <b>All 2064. SERIES</b>		<b>Plug-In AC Power Kit</b> <b>PK00.PAC</b>	<b>Hard-Wired AC Power Kit</b> <b>PK00.HAC</b>	<b>Multi-AC Power Kit</b> <b>PK00.MAC</b>
	<b>Deck Plate</b>	206P400.XXX 6 206P800.XXX 7			
	<b>Mixing Valve</b>	605XTMV1070			

## Roughing-in Dimensions

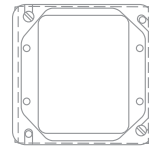


## GENERAL DESCRIPTION:

Electronic faucet with proximity operation. Vandal resistant solid brass construction single post mounting. Operates on DC (battery/power pack) or AC permanent power (plug-in/hardwire). In-line strainer for solenoid is integral. Single inlet 3/8 compression, built-in check valves, and flexible stainless steel 16-1/4" reach inlet hose for spout connection.

**Note: All plumbing and electrical wiring must be installed in accordance with applicable codes, regulations and standards.**

**CAUTION:** Use only American Standard supplied transformers and cable sets. Using non-AS supplied cables, or cutting, splicing or modifying any components will void the warranty.



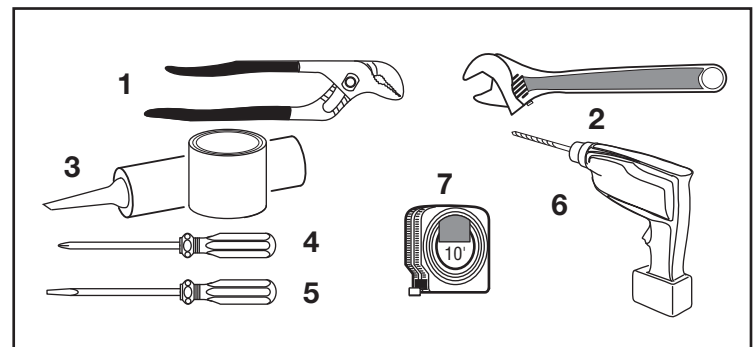
RECOMENDED CONTROL BOX OR EQUIVALENT BY OTHERS

4" (102mm) SQ. X 3-1/2" (89mm) DEEP CONTROL BOX Hubbel-RACO #256 OR EQUAL (BY OTHERS).

**HARD-WIRED AC ONLY 10' MAX. CABLE LENGTH**

## RECOMMENDED TOOLS

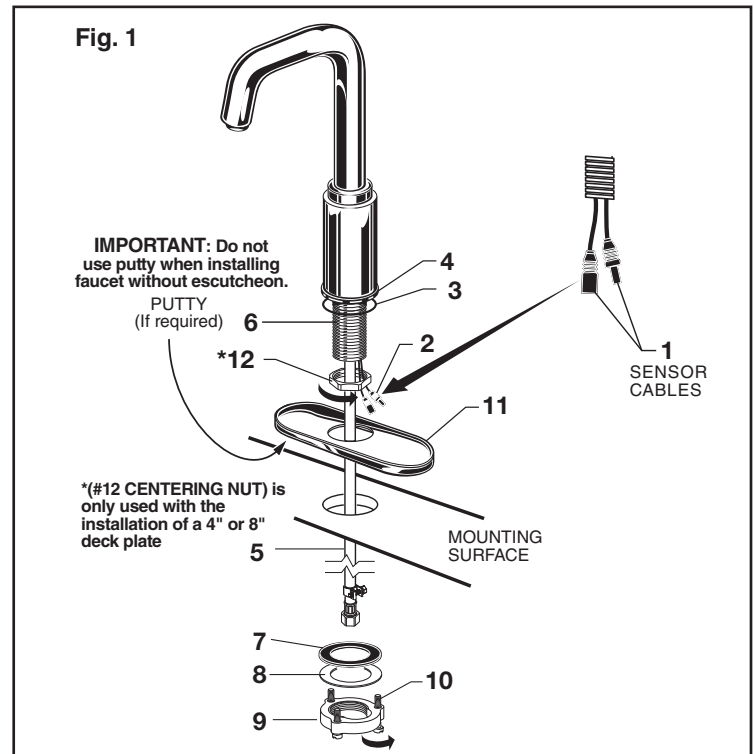
- Slip Joint Pliers
- Adjustable Wrench
- Plumbers' Putty or Caulking
- Phillips Screwdriver
- Flat Blade Screwdriver
- Electric Drill & 1/4" Drill Bit
- Tape Measure



## 1 SPOUT ASSEMBLY INSTALLATION; Fig. 1

**CAUTION** Turn off hot and cold water supplies before beginning

- Make sure O-RING (3) is installed into groove in ESCUTCHEON RING (4).
  - Insert SENSOR CABLES (1), SPOUT HOSE (5) and SPOUT SHANK (6) through center hole of mounting surface. Fig. 1.
  - Assemble RUBBER WASHER (7), BRASS WASHER (8) and LOCKNUT (9) onto SHANK (6) from underside of sink or mounting surface. Hand tighten LOCKNUT (9).
  - Use a screwdriver to tighten SCREWS (10) on LOCKNUT (9). Work your way around LOCKNUT (9), tightening the screws slightly each time until all are snug to ensure even pressure.
- Note: 4" and 8" Deck Plates (11) are available for other installations, see page one for information.**
- When using optional 4" or 8" DECK PLATE (11) first thread the DECK PLATE CENTERING NUT (12) onto SHANK (6). Thread the DECK PLATE CENTERING NUT (12) tight against the underside of the faucet base.
  - Follow steps 1-4 above for the spout installation.



## 2 MOUNT CONTROL BOX; Fig. 4

**Important:** For AC installation, make sure power supply connector is inserted into control box through power supply grommet before control box is mounted to the wall. Reference electrical installation section (pages 5 & 6).

1. Determine location of CONTROL BOX (3). It must be located within the 14" (356mm) by 21" (533mm) shaded area shown in Figure 4 in order for electrical connections from the spout assembly to be made.

**NOTE:** CONTROL BOX SUPPLY HOSE is 20". Distance between wall supply and CONTROL BOX (3) must be taken into consideration.

2. Remove tape from CONTROL BOX COVER (1) and pull off COVER (1). Hold the CONTROL BOX (3) in desired location and mark the four mounting hole locations as shown. Fig. 4.

**NOTE:** Find plastic bag containing 4 M5X16 screws to be used for securing the CONTROL BOX COVER (1) when installation is complete.

**NOTE:** For AC installation, make power supply connection before mounting CONTROL BOX (3) to wall.

3. It is recommended that the CONTROL BOX (3) be secured to a wall stud or cross brace within the wall using the SCREWS (16) supplied. If the CONTROL BOX (3) is to be installed on tile or plaster walls, the ANCHORS (17) and SCREWS (16) should be used.

## 3 CONNECT SPOUT HOSE TO CONTROL BOX; Fig. 5

1. Connect SUPPLY NUT (18) from spout hose to nipple on top of CONTROL BOX (3). Tighten with adjustable wrench to make a water tight connection. Fig. 3.

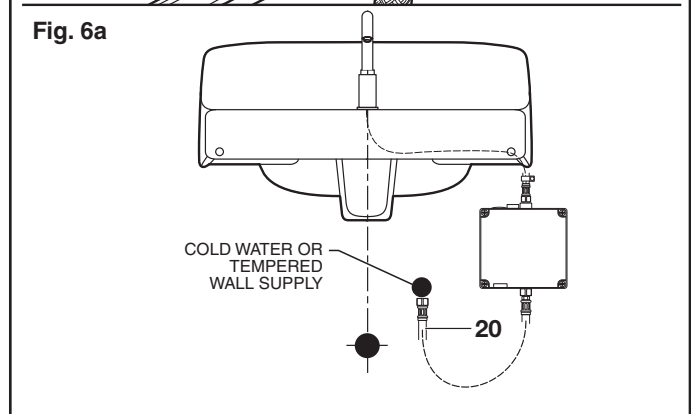
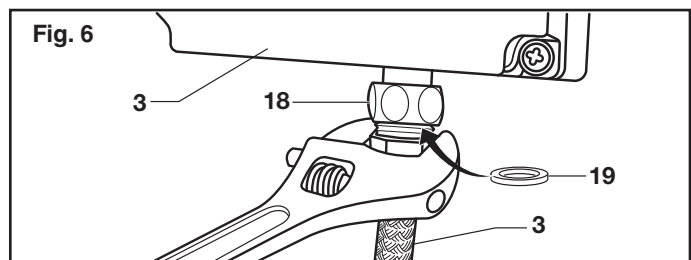
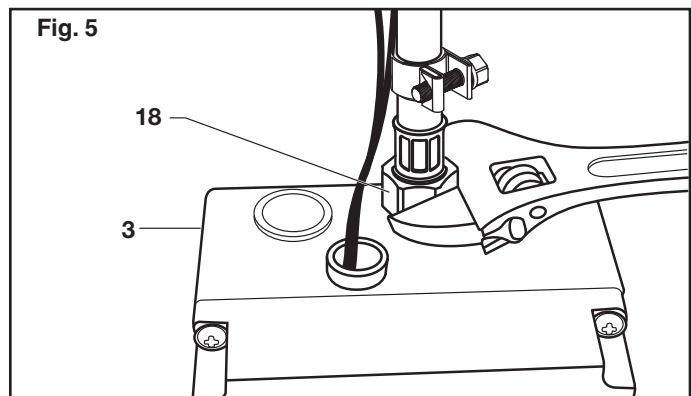
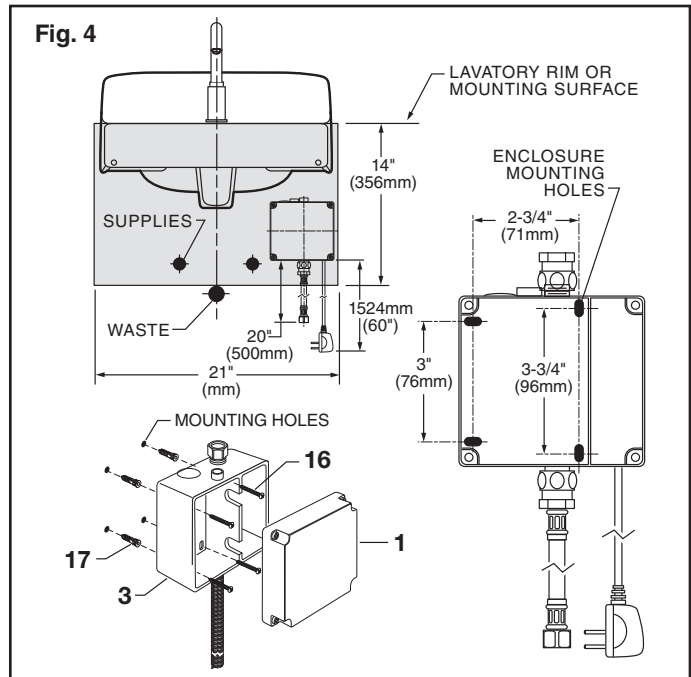
## 4 CONNECT WATER SUPPLY TO CONTROL BOX AND WALL SUPPLY; Fig. 6, 6a

**NOTE:** If using the optional Mixing Valve See Sheet #M968808 for installation instructions.

1. Insert FIBER WASHER (19) into SUPPLY NUT (18) on CONTROL BOX (3).
2. Connect FLEXIBLE SUPPLY HOSE (20) to SUPPLY NUT (18) on CONTROL BOX (3). Tighten to make a water tight connection. Use two wrenches to tighten if necessary. Fig. 6.
3. Connect FLEXIBLE SUPPLY HOSE (20) directly to wall supply. Connection on FLEXIBLE SUPPLY HOSE (20) is 3/8" compression. Use adjustable wrench to tighten connection. Do not over tighten. Fig. 6a.

**Note:** FLEXIBLE SUPPLY HOSE (20) measures 20" from the bottom of the CONTROL BOX (3) base. If additional supply length is required, installer must purchase parts separately.

**Important:** If FLEXIBLE SUPPLY HOSE (20) is too long, loop to avoid kinking.



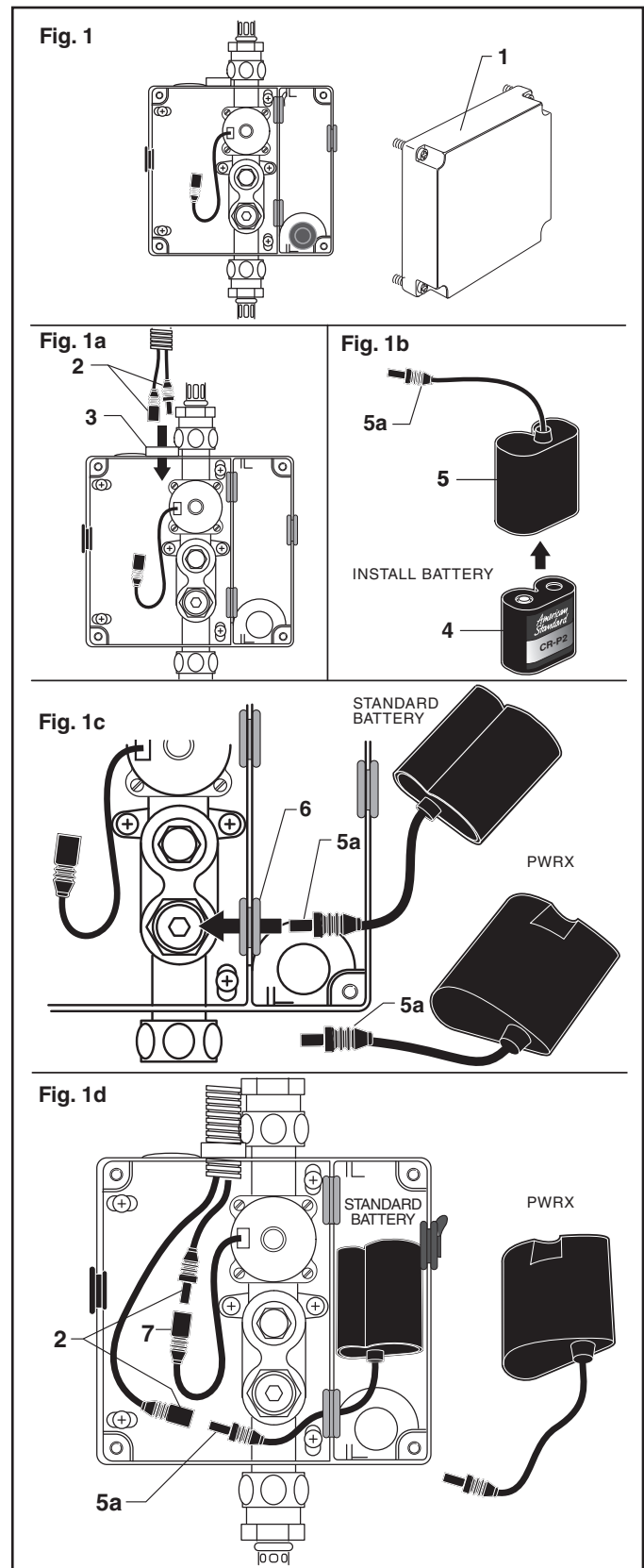
# ELECTRICAL INSTALLATION

Product	Page
Plug-In AC Power Kit (PK00.PAC)	6
Hard-Wired AC Power Kit (PK00.HAC)	6
Multi-AC Power Kit (PK00.MAC)	7

## A DC VERSIONS (PWRX & STANDARD BATTERY); Fig. 1

1. Remove CONTROL BOX COVER (1). Fig. 1.
2. Feed the SENSOR CABLES (2) through the top of CONTROL BOX (3). Fig. 1a.
3. Insert BATTERY (4) into BATTERY HOLDER (5), make sure the shape of the BATTERY (4) follows the shape of the BATTERY HOLDER (5) and terminal end is inserted first. Fig. 1b.
4. Insert the BATTERY CONNECTOR (5a) for the Standard Battery or PWRX Battery Pack through side GROMMET (6) as shown. Fig. 1c.
5. Connect SOLENOID CABLE (7) and BATTERY CONNECTOR (5a) to SENSOR CABLES (2). Place Standard Battery or PWRX Battery Pack into Housing. Fig. 1d.
6. Replace CONTROL BOX COVER (1). Tighten cover screws firmly.

**CAUTION:** Use only American Standard supplied transformers and cable sets. Using non-AS supplied cables, or cutting, splicing or modifying any components will void the warranty.



## B AC VERSION; Fig. 2

- PLUG-IN
- HARDWARE

**CAUTION** Disconnect AC power supply before opening CONTROL BOX.

**Note:** For AC installation, make power supply connection before mounting CONTROL BOX (3) to wall.

1. Remove CONTROL BOX COVER (1). Feed the EXTENSION CABLES (2) from the Faucet through the top of ENCLOSURE (3).

### FOR AC PLUG-IN ONLY

- 2a. Insert POWER CORD (8) through POWER SUPPLY GROMMET (9). **Fig. 2a.**
- 3a. Insert POWER CORD (8) through side GROMMET (6) as shown. **Fig. 2a.**
- 4a. Connect one of the 27" EXTENSION CABLES (2) to SOLENOID CABLE (7) and the other to the SINGLE AC ADAPTER (10). Connect POWER CORD (8) to Single AC Adapter (10) and install CONNECTOR LOCKING DEVICE (16). **Fig. 2a.**
- 5a. Mount CONTROL BOX to wall. Replace CONTROL BOX COVER (1). Tighten cover screws firmly.
- 6a. Plug AC POWER SUPPLY into wall outlet.

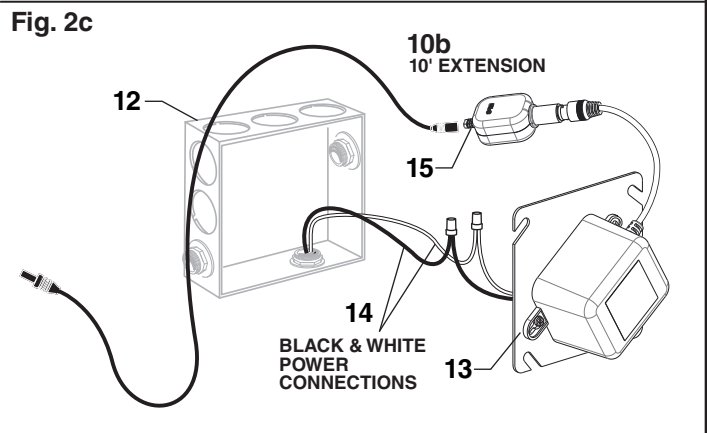
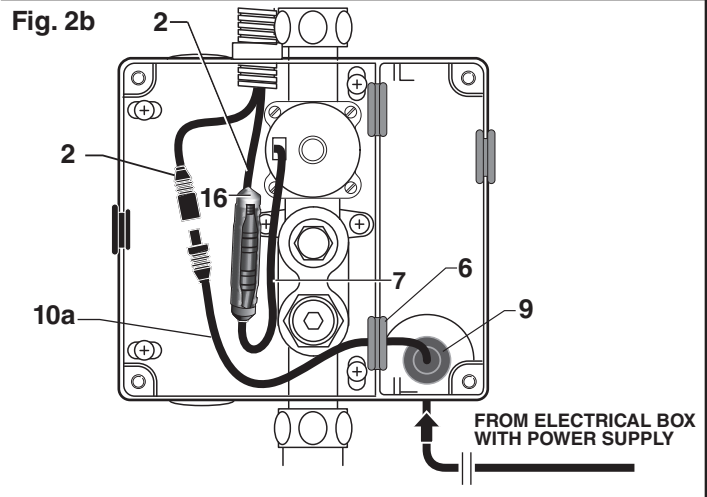
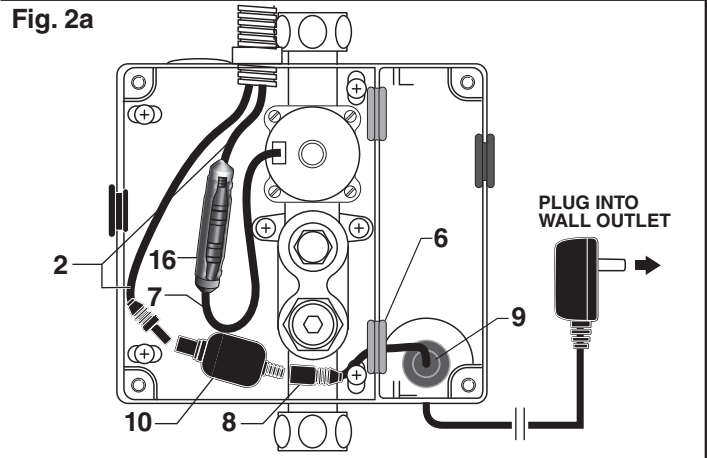
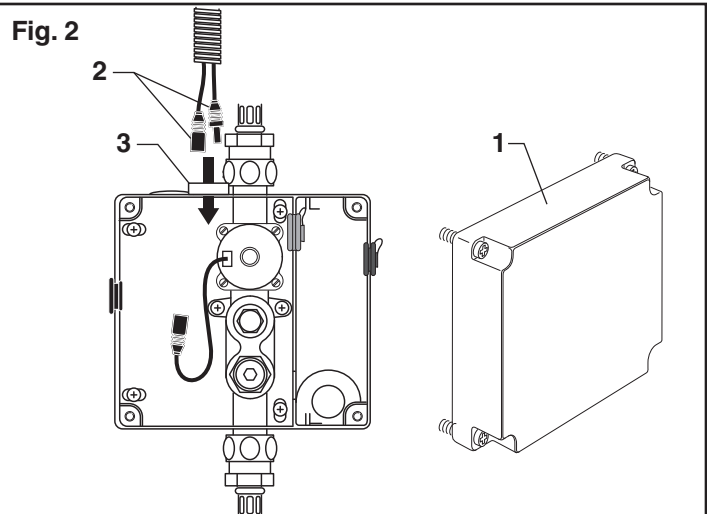
### FOR HARDWIRE HOOK-UP ONLY

- 2b. Insert one end of the 10' EXTENSION (10a) through POWER SUPPLY GROMMET (9). **Fig. 2b.**
- 3b. Insert 10' EXTENSION (10a) through side GROMMET (6) as shown. **Fig. 2b.**
- 4b. Connect 27" EXTENSION CABLES (2) to SOLENOID CABLE (7) and the other to the 10' EXTENSION CABLE (10a). Install CONNECTOR LOCKING DEVICE (16). **Fig. 2b.**

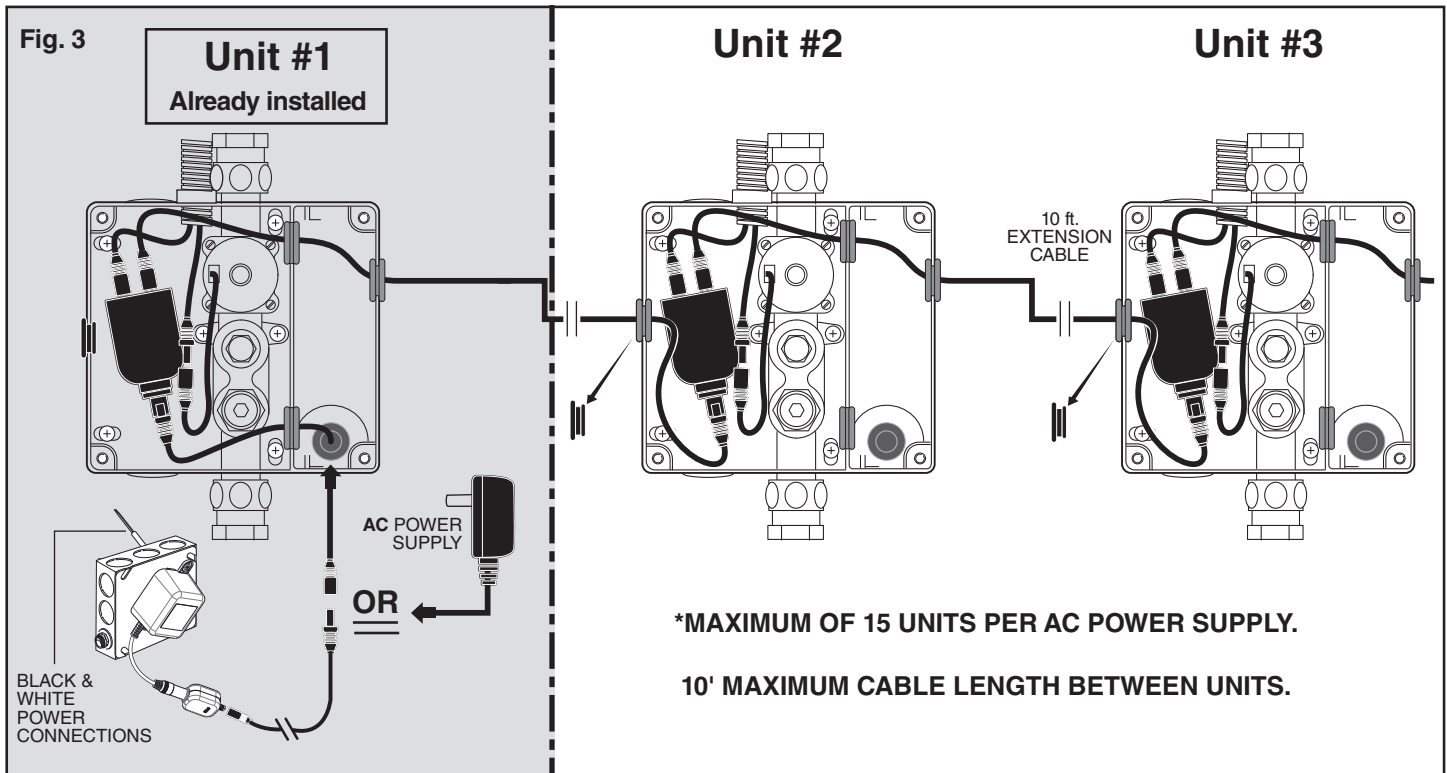
Contractor to supply ELECTRICAL BOX (12) and power to POWER SUPPLY (13).

- 5b. Mount POWER SUPPLY (13) onto ELECTRICAL BOX (12). Connect connections to POWER SUPPLY CONNECTIONS (14). **Fig. 2c.**
- 6b. Connect the 10' EXTENSION (10b) to the POWER SUPPLY CABLE (15). **Fig. 2c.**

**CAUTION:** Use only American Standard supplied cable sets. Using non-AS supplied cables, or cutting, splicing or modifying any components will void the warranty.



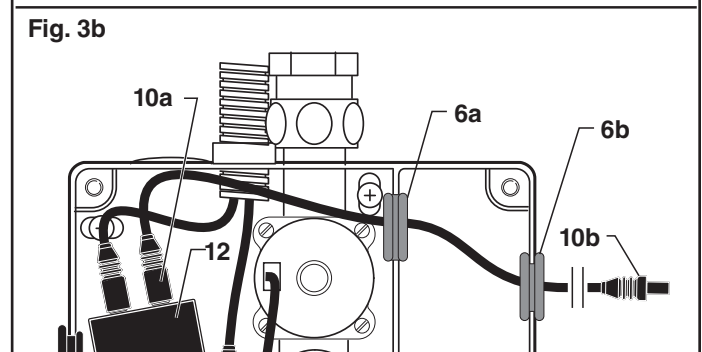
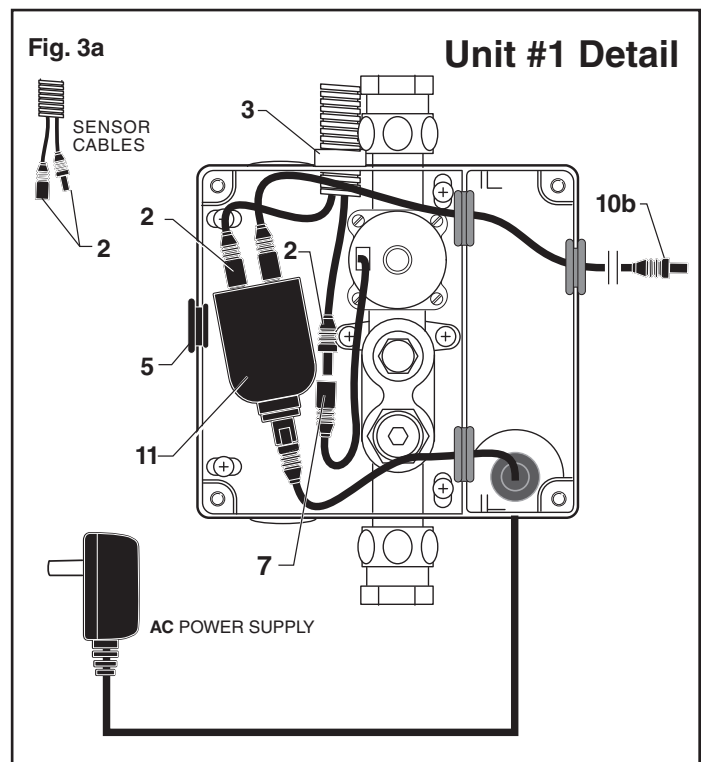




**C FOR AC-VERSION (MULTI HOOK-UP); Fig. 3, 3a, 3b**

1. Remove **COVERS** from all **CONTROL BOX (2)**.
2. Remove **SOLID BLACK PLUG GROMMET (5)** from left side of all **CONTROL BOX (2)**, except from **Unit #1**. Replace with **GRAY GROMMET (9)**. (Supplied with each Faucet).
3. Feed **SENSOR CABLES (2)** through the top of **CONTROL BOX (3)**. Connect one **SENSOR CABLE (2)** to the **SOLENOID CABLE (7)**, and the other to either of the two terminals at the one end of the **Y-ADAPTER (11)**. Connect the **10' EXTENSION (10a)** to the other terminal at the same end of the **Y-ADAPTER (11)**.
4. Feed the other end of the 10 ft. **EXTENSION (10b)** through the two **GRAY GROMMETS (6a and 6b)** and connect to the single terminal end of the next unit's **Y-ADAPTER (11)**. Place **Y-ADAPTER (11)** into **CONTROL BOX (3)**.
5. Repeat Steps above for each additional **Unit**, for a **Max. of 15 Units** on one **AC POWER SUPPLY (7)**.
6. Replace **CONTROL BOX COVERS**. Tighten cover screws firmly.

**CAUTION:** Use only American Standard supplied transformers and cable sets. Using non-AS supplied cables, or cutting, splicing or modifying any components will void the warranty.



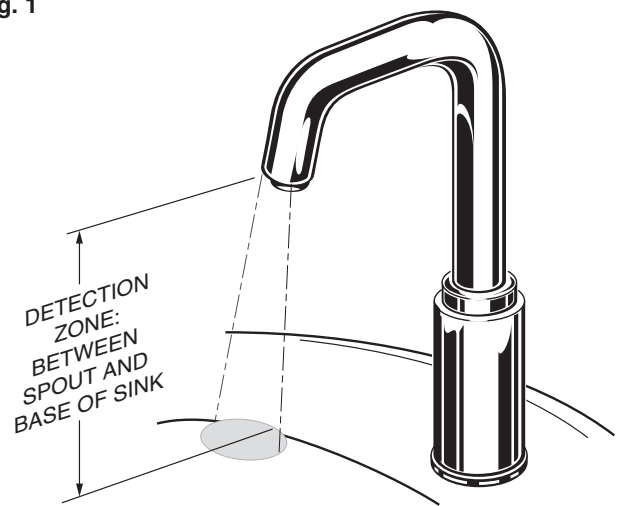
# START-UP / MAINTENANCE

## A HAND WASH SENSOR OPERATION; Fig. 4

Prior to making power connection, make sure detection zone is not obstructed. Sensor is self adjusting. Keep detection zone clear for 15 seconds after power is connected.

When the Sensor detects a user, the water immediately starts to flow. Water flow will stop 1.5 seconds after user is out of sensor range. This comfort timer allows the user to move his hands without the flow cycling on and off. As a precaution, a safety timer will turn off the water after the sensor has been blocked for 55 seconds. Water flow will resume when the blockage is removed from the detection zone and the sensor is activated again.

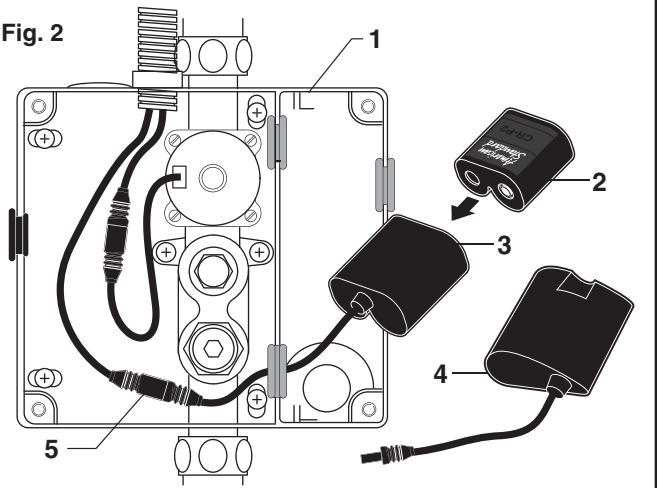
Fig. 1



## B HOW TO INSTALL AND CHANGE BATTERY; Fig. 2

1. Remove COVER from CONTROL BOX (1).
  2. Disconnect Battery Holder (3) from SENSOR CABLE (5).
  3. Remove old BATTERY from Battery Holder (3). Install new BATTERY (2) making sure the terminal side is inserted first and shape of the battery follows the shape of the BATTERY HOLDER (3).
- Prior to making power connection, make sure detection zone is not obstructed. Sensor is self adjusting. Keep detection zone clear for 15 seconds after power is connected.
4. To change PWRX BATTERY PACK (4), unplug and replace with new Power Pack.
  5. Reconnect BATTERY HOLDER (3) to SENSOR CABLE (5).
  6. Replace CONTROL BOX COVER. Tighten cover screws firmly.

Fig. 2

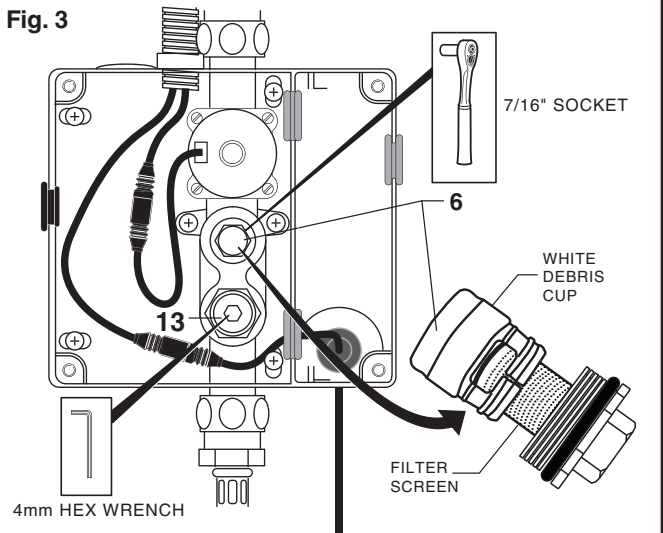


## C HOW TO CLEAN FILTER ASSEMBLY; Fig. 3

**CAUTION** Before opening CONTROL BOX disconnect AC power supply.

1. Remove CONTROL BOX COVER.
2. Close SUPPLY STOP (13) with 4mm Hex wrench. Note: Activate sensor to keep water flowing out of faucet while shutting off.
3. Unthread FILTER ASSEMBLY (6) using a 7/16" socket.
4. Pull out the FILTER ASSEMBLY (6), remove and clean white debris cup and filter screen.
5. Install the FILTER ASSEMBLY (6) back in its place and tighten with a 7/16" socket. **Caution: Do not over tighten.**
6. Open SUPPLY STOP (13) with 4mm Hex wrench.
7. Replace CONTROL BOX COVER. Tighten cover screws firmly.

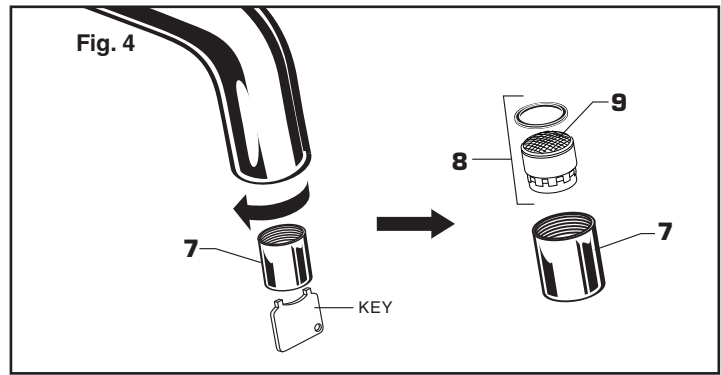
Fig. 3





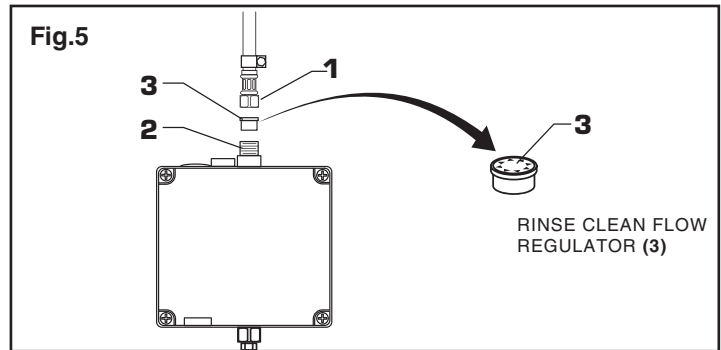
## **D** HOW TO CLEAN AND REMOVE THE AERATOR OR SPRAY; Fig. 4

1. Remove Aerator or Spray HOUSING (7) with KEY supplied with faucet.
2. Remove Aerator or Spray (8) from HOUSING (7).
3. Clean the Aerator or Spray SCREEN (9).
4. Reassemble and install into spout end. Be sure the black seal washer is in place.



## **E** HOW TO CLEAN FLOW REGULATOR; Fig. 5

1. Remove SUPPLY HOSE (1) from top of CONTROL BOX ASSEMBLY (2). Pull out FLOW REGULATOR (3) from CONTROL BOX ASSEMBLY (2).
2. Rinse clean FLOW REGULATOR (3). Reassemble SUPPLY HOSE (1) to top of CONTROL BOX ASSEMBLY (2).

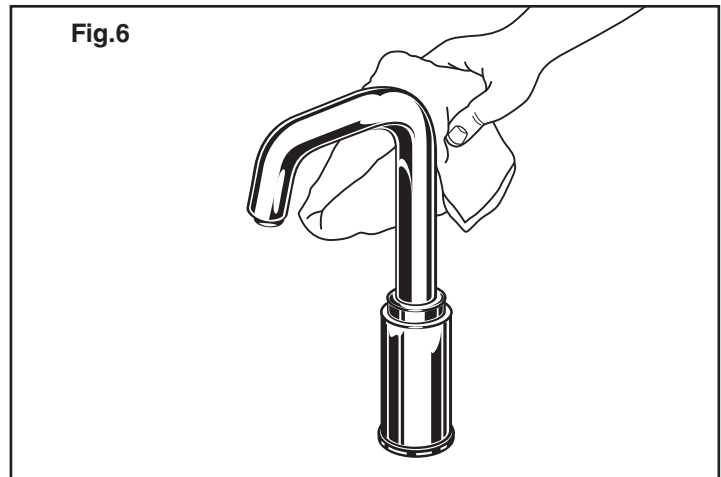


## **F** GENERAL CLEANING; Fig. 6

1. Only use a damp, soft cloth to clean the spout and the sensor.
2. For tougher dirt, use a soft cloth with diluted dish washing detergent. Wipe the area using a wet cloth and dry using a soft cloth.

### **CAUTION**

**Do not scratch the sensor when cleaning. Avoid using any abrasives or harsh detergents or chemicals.**



## **FAQ'S**

**Q:** How will I know if the battery needs to be replaced?

**A:** Valve will not open and sensor will continuously blink 2 times interrupted by a pause for up to 7 days.

**Q:** Why has the flow rate of the faucet reduced significantly?

**A:** The filter assembly, flow regulator or areator/spray may be clogged. Check and clean. Refer to Start-up/Maintenance, sections C, D and E.

**Q:** Why doesn't the water flow out of faucet when I'm within the sensor detection zone?

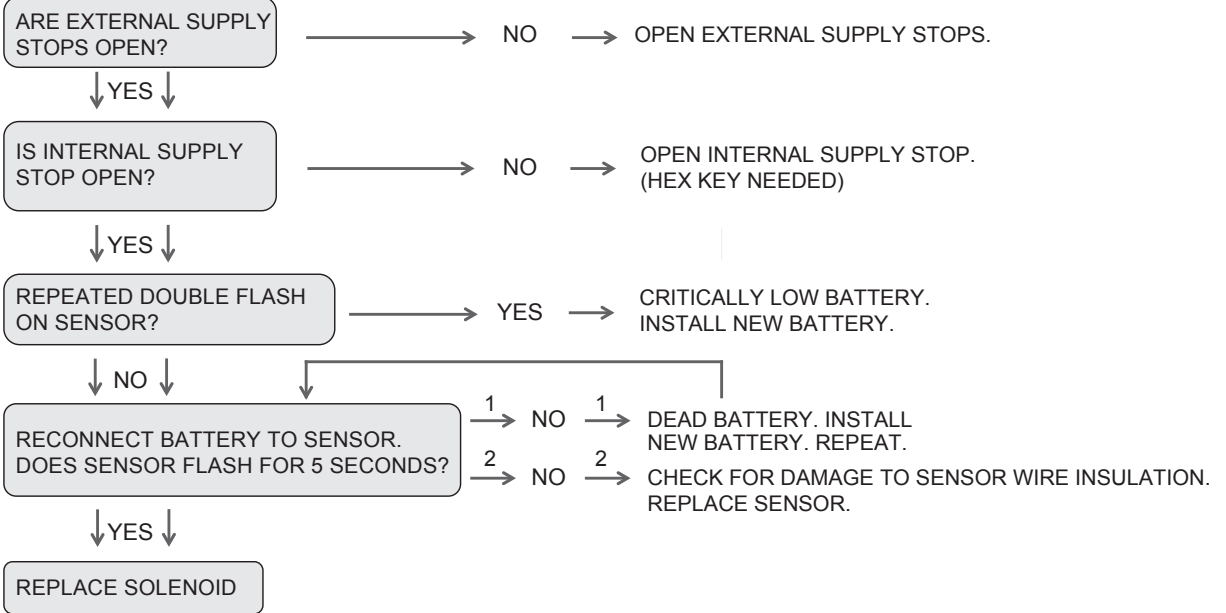
**A:** Battery may need replacement. Check. If sensor continuously blinks 2 times interrupted by pause, replace battery or call (855) 752-9259.

**Q:** What is the normal operating pressure range?

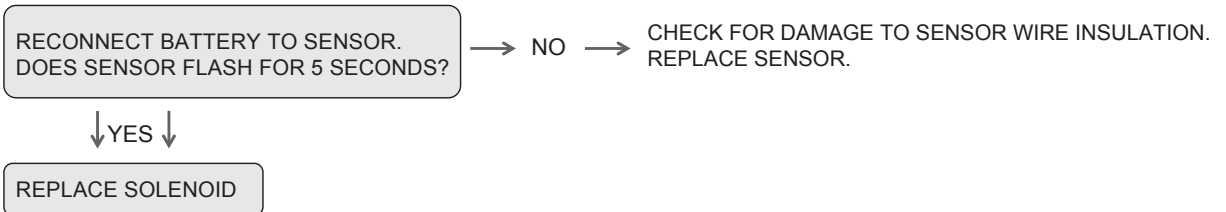
**A:** Faucet will operate with supply pressures ranging from 20-80 psi.

# TROUBLESHOOTING FLOW CHARTS

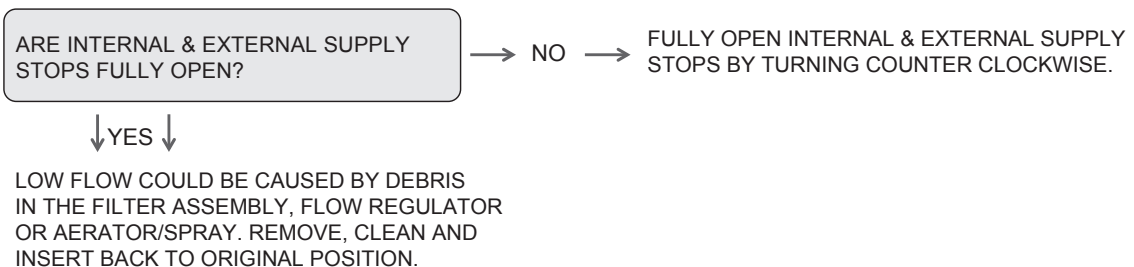
## UNIT DOES NOT FUNCTION



## WATER IS CONTINUOUSLY RUNNING



## LOW FLOW ISSUES



### HOT LINE FOR HELP

For toll-free information and answers to your questions, call:

(844) CRT-TEAM / (844) 278-8326

Mon. - Fri. 8:00 a.m. to 8:00 p.m. EST Saturday 10:00 a.m. to 4:00 p.m. EST  
IN MEXICO 01-800-839-1200

IN CANADA 1-800-387-0369 (TORONTO 1-905-306-1093)  
Weekdays 8:00 a.m. to 7:00 p.m. EST

Product names listed herein are trademarks of AS America, Inc. ©2017

To learn more about American Standard Selectronic® Products visit our website at:  
[www.americanstandard-us.com](http://www.americanstandard-us.com) or e-mail us at: [CRTTEAM@lixilamericas.com](mailto:CRTTEAM@lixilamericas.com)

# American Standard

# SELECTRONIC®

## Deck Mount Electronic Proximity Lavatory Faucet

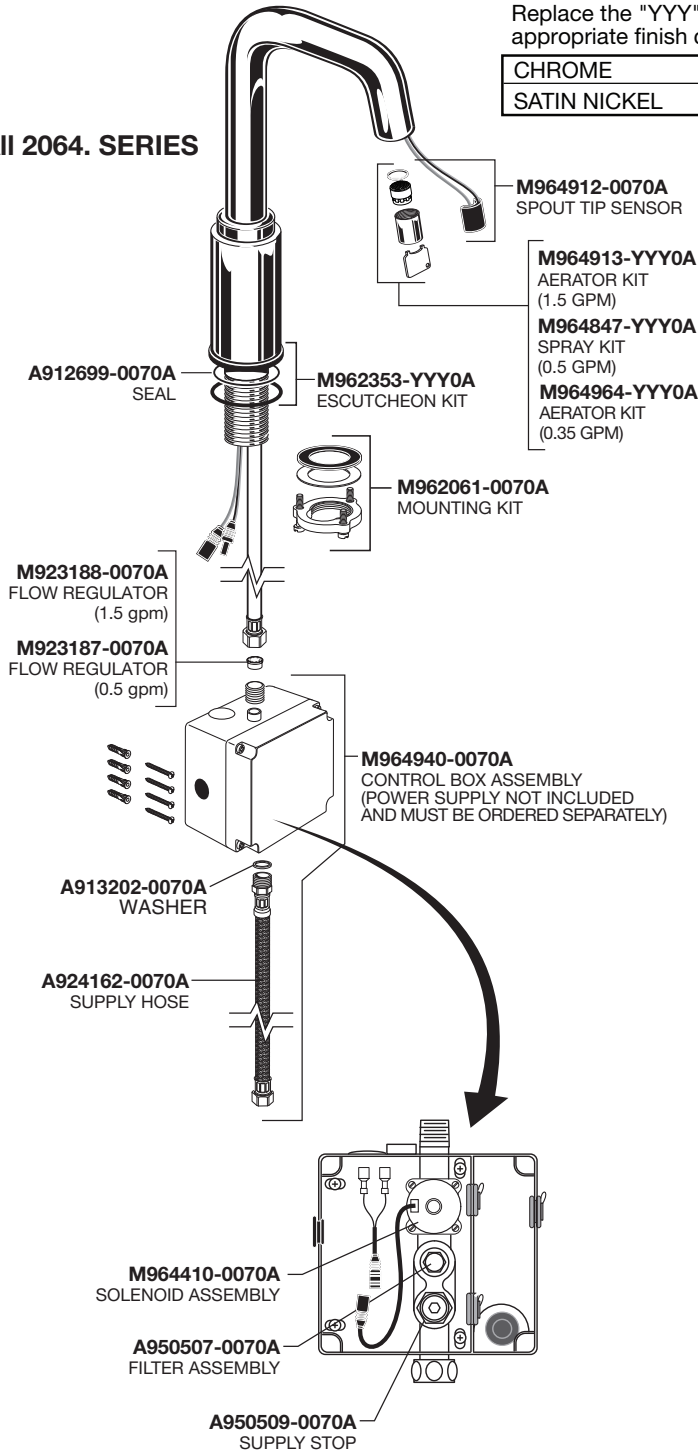
### MODEL NUMBERS

**2064.14X 2064.15X 206B.10X**

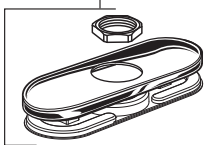
**All 2064. SERIES**

Replace the "YYY" with appropriate finish code

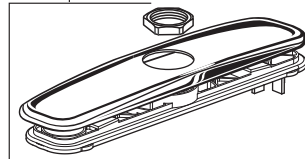
CHROME	002
SATIN NICKEL	295



**2064P400.XXX**  
4" DECK PLATE



**2064P800.XXX**  
8" DECK PLATE



**PWRX Battery Pack**  
2064.14 – Series

**M950361-0070A**  
PWRX BATTERY PACK



**CR-P2 Lithium Battery**  
2064.15 – Series

**A923654-0070A**  
BATTERY 6V CR-P2

**M950514-0070A**  
BATTERY HOLDER

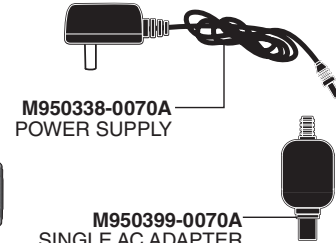


**Plug-In AC Power Kit**  
PK00.PAC

**M950338-0070A**  
POWER SUPPLY

**M950360-0070A**  
CONNECTOR LOCKING DEVICE

**M950399-0070A**  
SINGLE AC ADAPTER

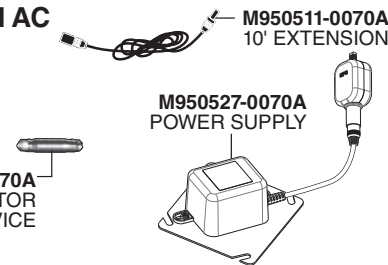


**Hard-Wired AC Power Kit**  
PK00.HAC

**M950511-0070A**  
10' EXTENSION

**M950527-0070A**  
POWER SUPPLY

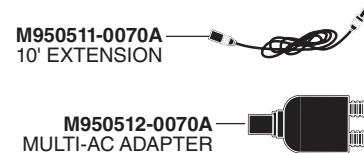
**M950360-0070A**  
CONNECTOR LOCKING DEVICE



**Multi-AC Power Kit**  
PK00.MAC

**M950511-0070A**  
10' EXTENSION

**M950512-0070A**  
MULTI-AC ADAPTER



**PART OF LIXIL**



**HOT LINE FOR HELP**

For toll-free information and answers to your questions, call:  
(844) CRT-TEAM / (844) 278-8326  
Mon. – Fri. 8:00 a.m. to 8:00 p.m. EST Sat. 10:00 a.m. to 4:00 p.m. EST  
IN MEXICO 01-800-839-1200  
IN CANADA 1-800-387-0369 (TORONTO 1-905-306-1093)  
Weekdays 8:00 a.m. to 7:00 p.m. EST

Product names listed herein are trademarks of AS America, Inc. ©2019

To learn more about American Standard Selectronic® Products visit our website at:  
[www.americanstandard-us.com](http://www.americanstandard-us.com) or e-mail us at: [CRTTEAM@lixilamericas.com](mailto:CRTTEAM@lixilamericas.com)