

INSTALLATION INSTRUCTIONS



ICS Sink with Selectronic IC Faucet* Models: 9118.111, 9118.100 & 9118.150

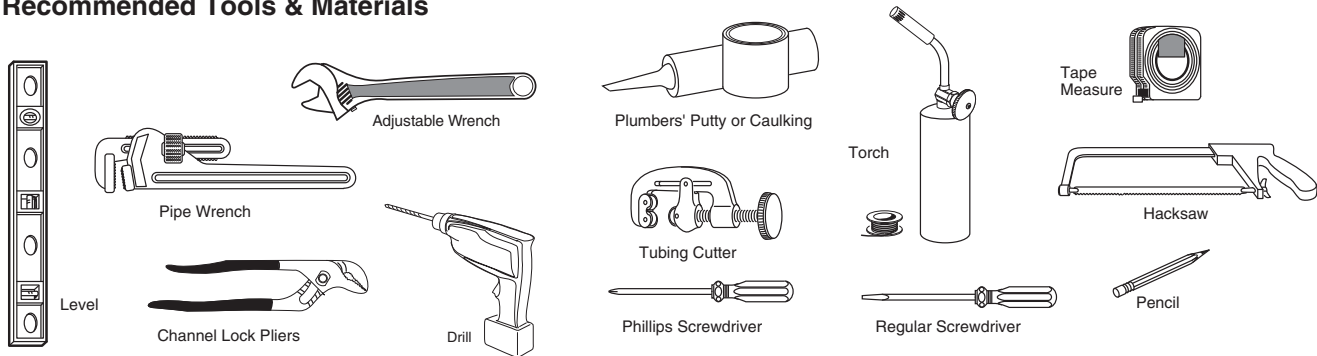
Introduction: Thank you for selecting our products...products which have been the benchmarks of fine quality for years. To help insure that the installation process will proceed smoothly, please read these instructions carefully before you begin. Also, review the recommended tools and materials list; carefully unpack and examine your new plumbing fixture.

CAUTION: PRODUCT IS FRAGILE. TO AVOID DAMAGE AND POSSIBLE INJURY HANDLE WITH CARE!

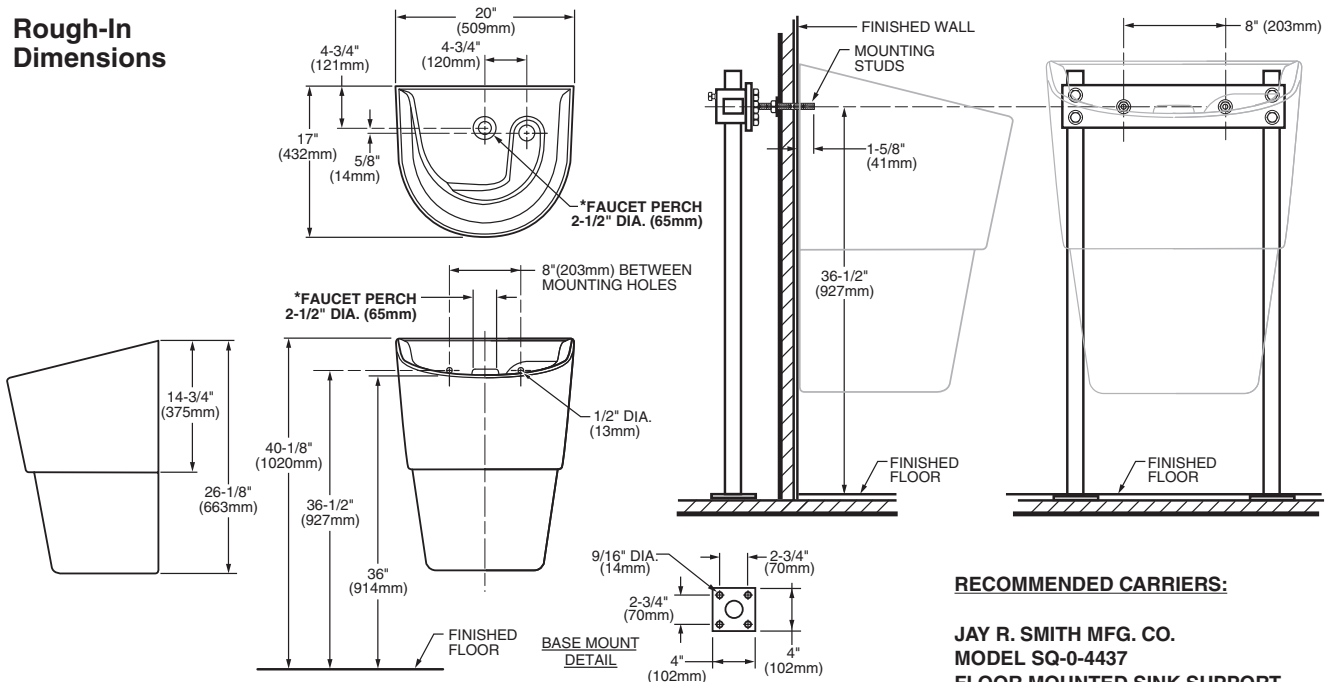
NOTE: Pictures may not exactly define contour of china and components.



Recommended Tools & Materials



Rough-In Dimensions



RECOMMENDED CARRIERS:

JAY R. SMITH MFG. CO.
MODEL SQ-0-4437
FLOOR MOUNTED SINK SUPPORT

WATTS CA-311
FLOOR MOUNTED URINAL CARRIER

***DISCLAIMER:** Faucets with a base diameter greater than 2-1/4" (57 mm) will not fit on this ICS Sink. The Selectronic IC Faucet was specifically designed to minimize splashing during operation. American Standard will not be liable for any splashing that occurs if faucets other than the American Standard IC Faucets are used.

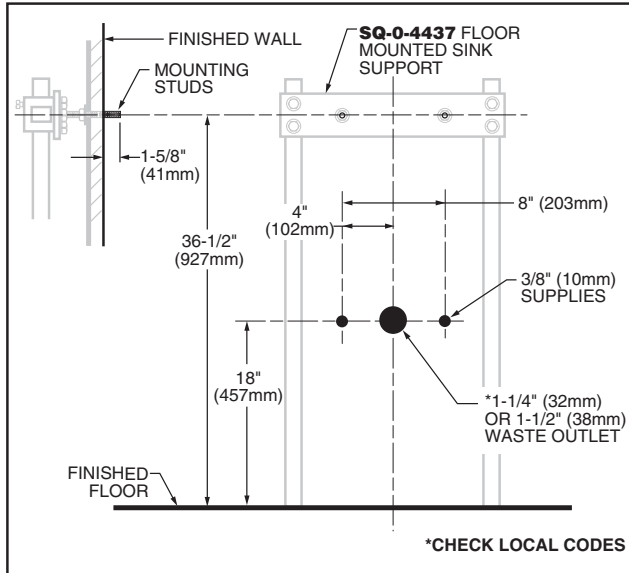
This product will not eliminate the risk of infection, but provides a hygienic environment by reducing splashing through its unique design.

SAVE FOR FUTURE USE

1 ROUGH-IN SUPPLIES AND WASTE OUTLET

1. Rough-in 3/8" supplies and waste outlet connections.

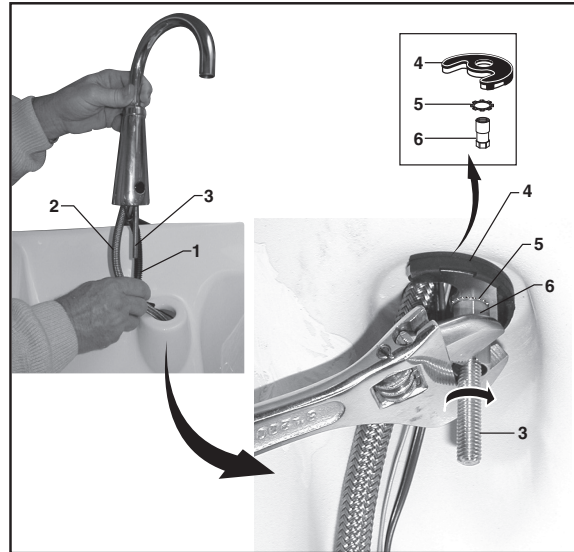
NOTE: For ease of installation and accessibility, it is recommended that straight stops with flex supply tubes be used. As an alternative, if rigid supply risers are used, it is suggested to use angle stops in place of the straight stops.



2 INSTALL FAUCET

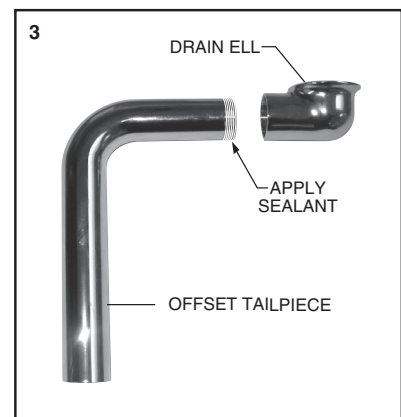
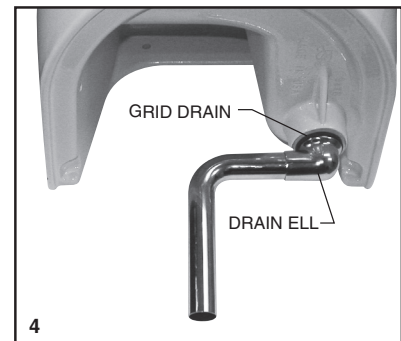
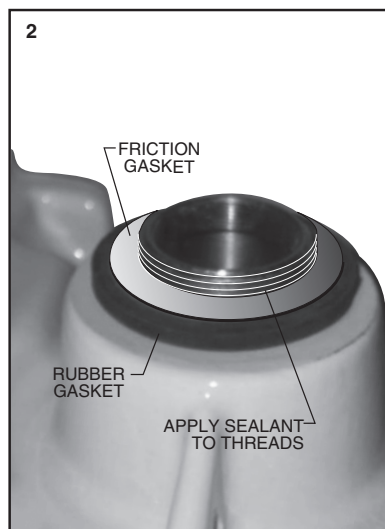
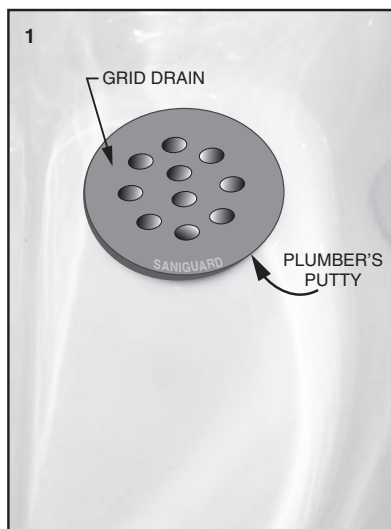
NOTE: For more detailed information, see the installation instructions supplied with the IC FAUCET. # M965119

1. Insert WIRES (1), FLEX HOSE (2) and SPOUT SHANK (3) through center hole of mounting surface.
2. Assemble "C" WASHER (4), STAR WASHER (5) and LOCKNUT (6) onto threads of SPOUT SHANK (3) from underside of mounting surface.
3. Align FAUCET and tighten LOCKNUT (6).



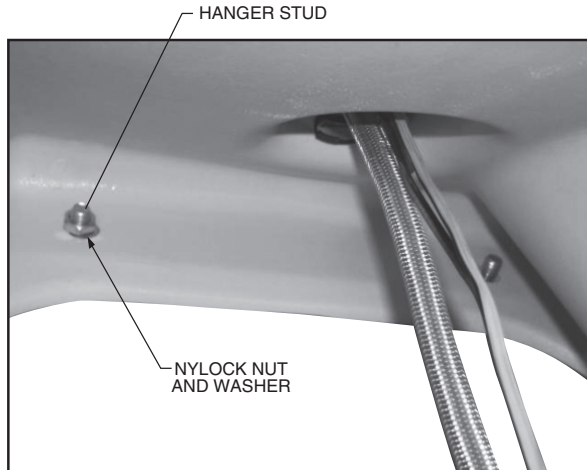
3 INSTALL GRID DRAIN AND OFFSET TAILPIECE

1. Apply plumber's putty to the underside of flange. Install GRID DRAIN into drain outlet.
2. From the underside of SINK install RUBBER GASKET (flat side up) and FRICTION GASKET onto GRID DRAIN threads. Apply sealant to threads of GRID DRAIN.
3. Apply sealant to threads of OFFSET TAILPIECE and thread into DRAIN ELL.
4. Thread DRAIN ELL onto GRID DRAIN, tighten and align as shown.



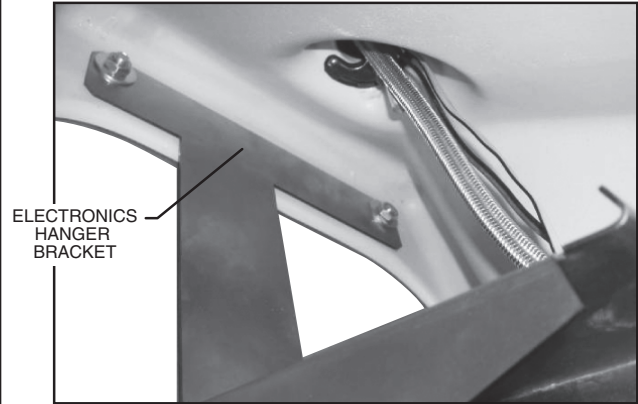
4 INSTALL ICS SINK

1. Mount SINK onto the two HANGER STUDS. Hold SINK in place and temporarily install NYLOCK NUT & WASHER on one of the HANGER STUDS to retain SINK.



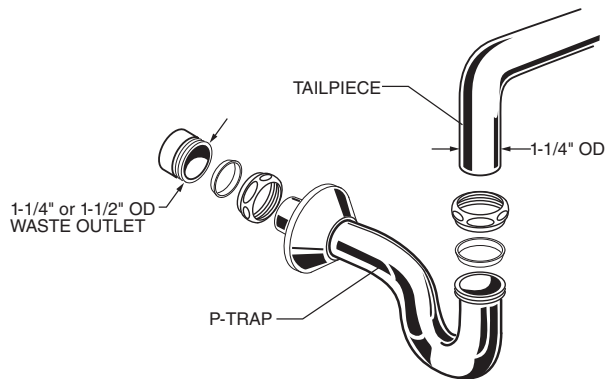
5 INSTALL ELECTRONICS HANGER BRACKET

1. Install the ELECTRONICS HANGER BRACKET onto remaining HANGER STUD. Install NYLOCK NUT & WASHER but do not tighten fully.
2. Remove NYLOCK NUT & WASHER from first HANGER STUD and install other end of ELECTRONICS HANGER BRACKET. Replace NYLOCK NUT & WASHER, tighten both ends. Do not over tighten, chinaware could become damaged.



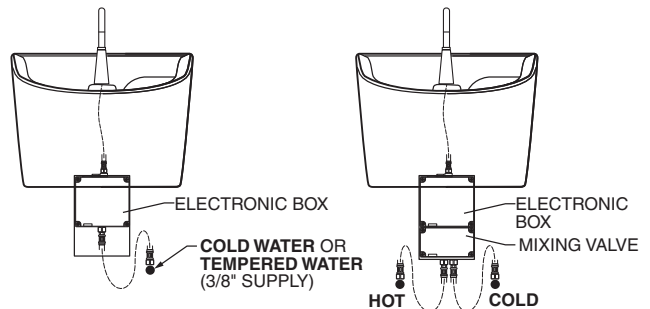
6 COMPLETE WASTE OUTLET CONNECTION

1. Install "P" TRAP. Connect OFFSET TAILPIECE to "P" TRAP. TAILPIECE may have to be cut to fit installation. Use tubing cutter to cut TAILPIECE.

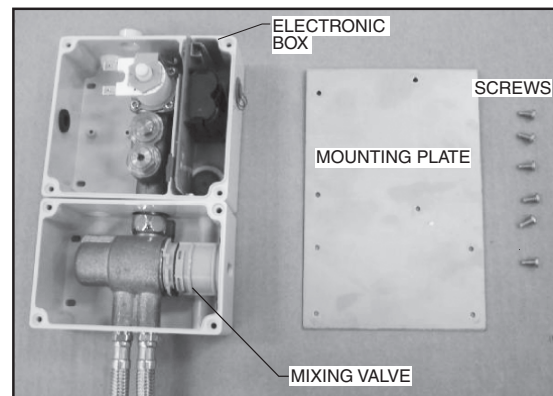


7 MOUNT ELECTRONICS BOX

NOTE: Installation with ELECTRONIC BOX only is for cold or tempered water. Use optional MIXING VALVE with ELECTRONIC BOX when Hot and Cold supplies are roughed-in. See illustration below.

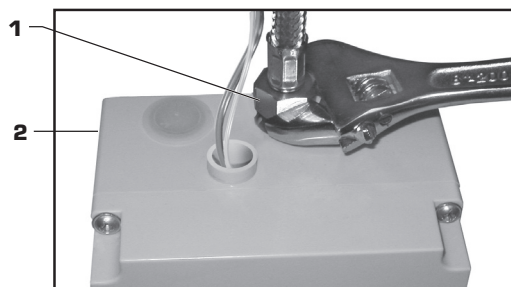


1. Remove COVER from ELECTRONICS BOX.
2. Place ELECTRONICS BOX onto MOUNTING PLATE. Align BOX with mounting holes. Attach with SCREWS provided.
3. Hang MOUNTING PLATE with ELECTRICAL BOX on HANGER BRACKET.



8 CONNECT SPOUT HOSE TO ENCLOSURE

1. Connect SUPPLY NUT (1) from SPOUT assembly to nipple on top of ENCLOSURE (2). Tighten with adjustable wrench to make a water tight connection.

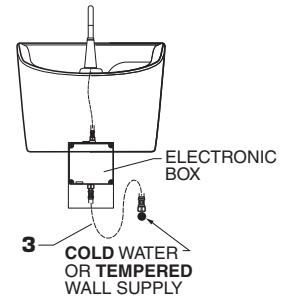
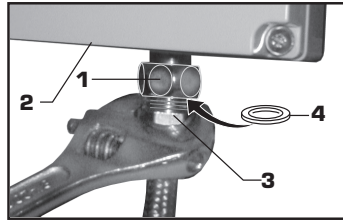


9 CONNECT WATER SUPPLY TO ENCLOSURE AND TO COLD OR TEMPERED WALL SUPPLY

1. Insert FIBER WASHER (4) into SUPPLY NUT (1) on ENCLOSURE (2).
2. Connect SUPPLY NUT (1) on ENCLOSURE (2) to FLEXIBLE SUPPLY HOSE (3). Tighten to make a water tight connection. Use two wrenches to tighten if necessary.
3. Connect FLEXIBLE SUPPLY (3) directly to wall supply. Connection on FLEXIBLE SUPPLY (3) is 3/8" compression. Use adjustable wrench to tighten connection. Do not over tighten.

Note: FLEXIBLE SUPPLY (3) measures 20" from the bottom of the ENCLOSURE (1) base. If additional supply length is required, installer must purchase parts separately.

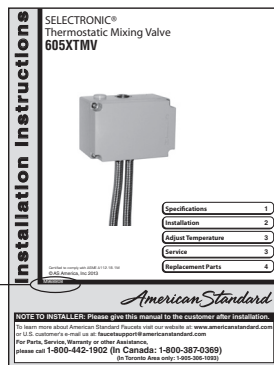
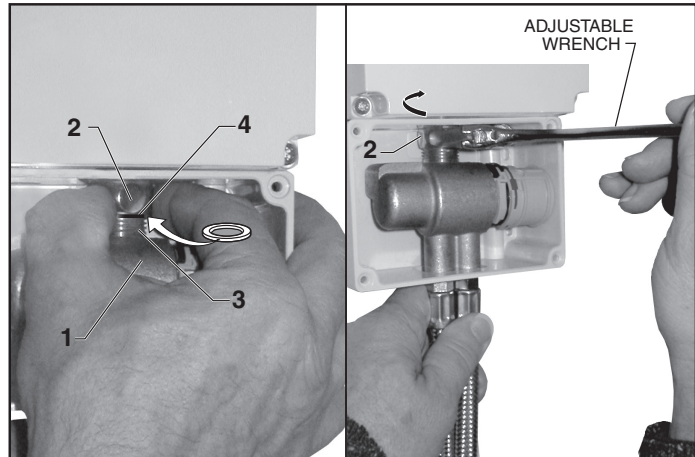
Important: If FLEXIBLE SUPPLY (3) is too long, loop to avoid kinking.



10 INSTALL AND CONNECT MIXING VALVE (MIXING VALVE IS OPTIONAL)

1. Remove COVER from MIXING VALVE.
2. Install FIBER SEAL WASHER (4) on MIXING VALVE NIPPLE (3). Hold MIXING VALVE (1) in place with one hand and with your other hand thread SWIVEL NUT (2) onto MIXING VALVE NIPPLE (3). Use an adjustable wrench to tighten SWIVEL NUT (2).
3. Place MIXING VALVE BOX onto MOUNTING PLATE. Align BOX with mounting holes. Attach with SCREWS provided.
4. Replace COVER and tighten securely.

NOTE: For complete detailed installation and operating instructions see installations instructions supplied with mixing valve. No. M968808



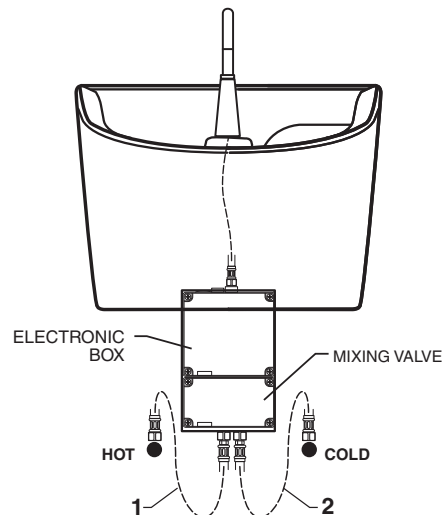
No. M968808

12 CONNECT MIXING VALVE TO WATER SUPPLIES

1. Turn off Hot and Cold water supplies before beginning.
2. Connect FLEXIBLE SUPPLIES directly to wall supplies. Connections on MIXER supplies are 3/8" compression. Connect left supply to Hot and right supply to Cold wall supply. Use adjustable wrench to tighten connections. Do not over tighten.
3. Faucet supplies measure 20" from the bottom of the ENCLOSURE (3) base.

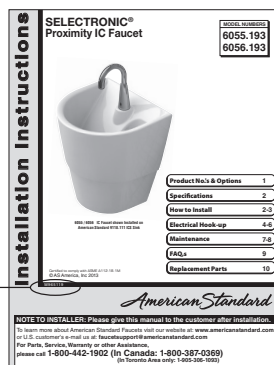
Note: If additional supply length is required, installer must purchase parts separately.

Important: If SUPPLY HOSES (1, 2) are too long, loop as to avoid kinking.



11 ELECTRICAL HOOK-UP AND INSTALLATION

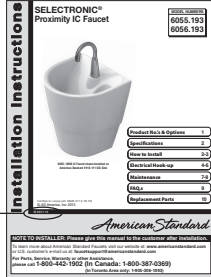
For complete detailed installation and operating instructions see installations instructions supplied with IC FAUCET. No. M965119



No. M965119

13 CHECK ALL ELECTRICAL AND PLUMBING CONNECTIONS

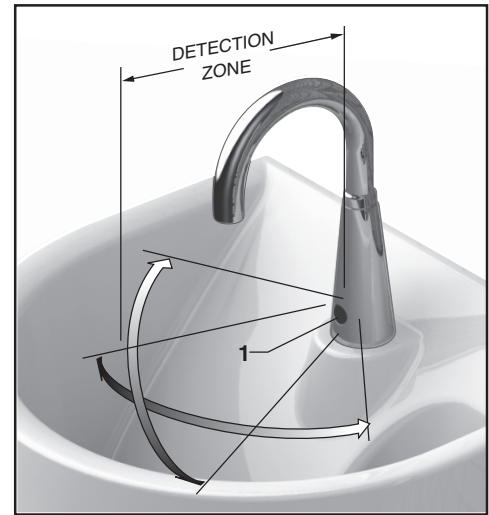
1. Turn on water supplies and check for leaks. Tighten any connections if necessary.
2. Check FAUCET operation, if adjustment is required refer to the installation instructions shown at right supplied with the IC FAUCET. No. M965119.



No. M965119

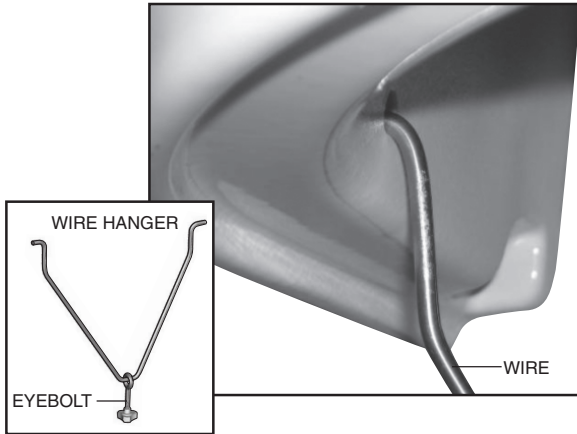
14 TEST INSTALLED FAUCET

TO ENSURE A LAMINAR WATER FLOW the air must be slowly purged from the spout. To do so, cover the SENSOR (1) while slowly opening the water supply valves. When the water flows as a solid, smooth, steady stream, uncover the SENSOR (1) and fully open the water supply valve.

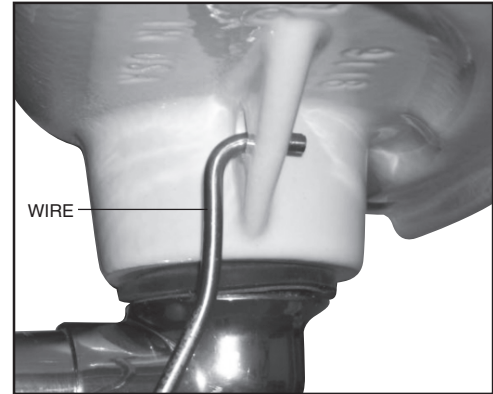


15 INSTALL WIRE HANGER

1. Install EYEBOLT onto WIRE HANGER if not installed.
2. Place WIRE end in left SIDE HOLE.

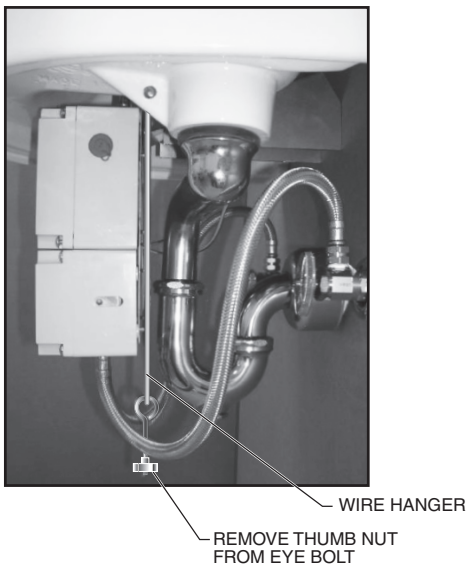


3. Place WIRE end in right SIDE HOLE near DRAIN.

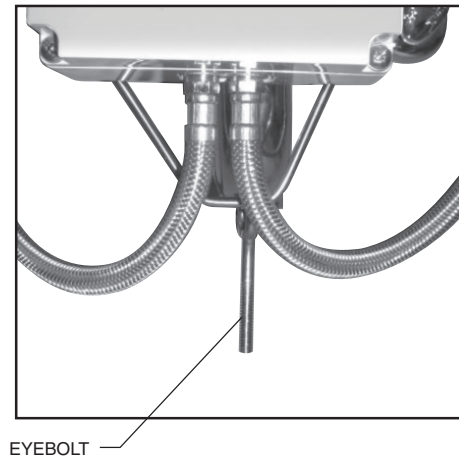


NOTE: If not enough tension, remove WIRE and spread ends approx. 1" additional and re-attach.

4. WIRE HANGER is positioned behind ELECTRONIC BOX and in front of DRAIN.
5. Remove THUMB NUT from EYEBOLT.



6. EYEBOLT for SINK APRON.



16 INSTALL SINK APRON

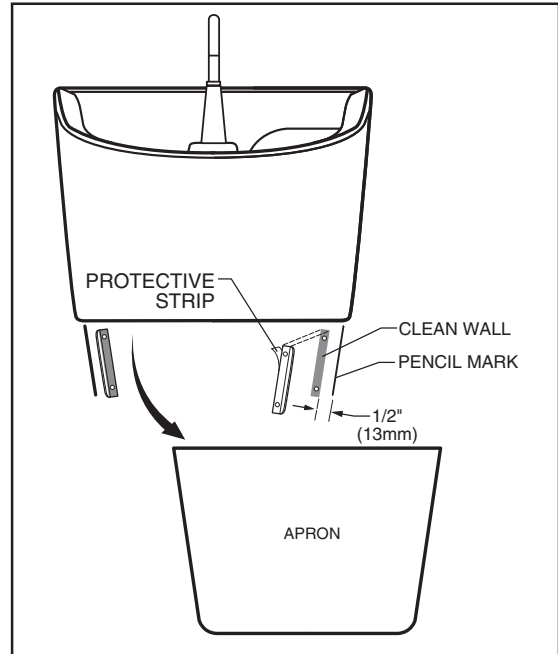
1. Hold APRON up against SINK and flush against finished wall.
2. Mark a line with a pencil on the wall about 6" long as shown on both sides of the APRON.



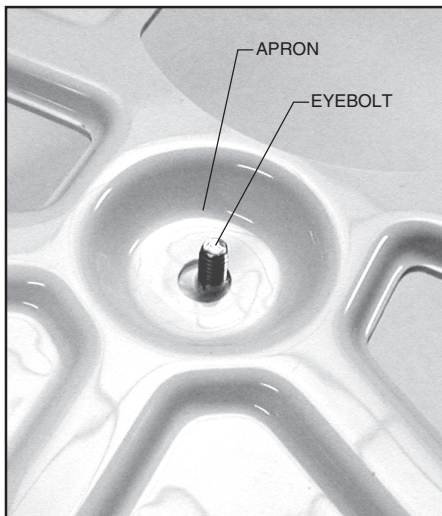
3. Remove the APRON. Clean the wall where the APRON BRACKETS supplied with SINK are to be applied. Peel off the protective strip from the back of the APRON BRACKETS. Apply the two APRON BRACKETS to the finished wall parallel to the pencil marks as shown in the illustration below.

OPTIONAL MOUNTING. (SCREWS AND ANCHORS NOT SUPPLIED)
Use Brackets to mark pilot holes on wall. Drill holes for ANCHORS. Peel off the protective strip from the back of the APRON BRACKETS. Apply the two APRON BRACKETS to the finished wall parallel to the pencil marks as shown and aligned with the mounting holes. See illustration below. Install SCREWS and tighten.

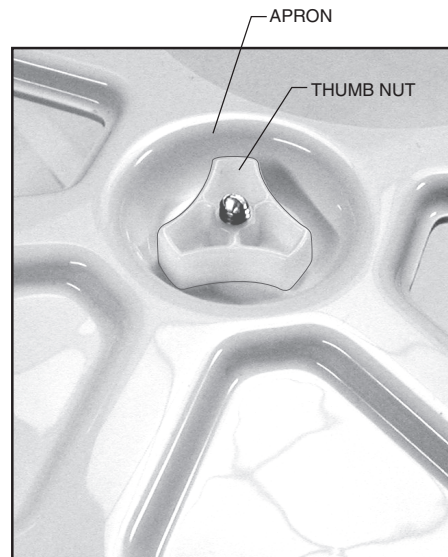
4. Clean off the pencil marks from wall.



5. Position APRON under SINK and against finished wall aligning EYEBOLT with hole in APRON.



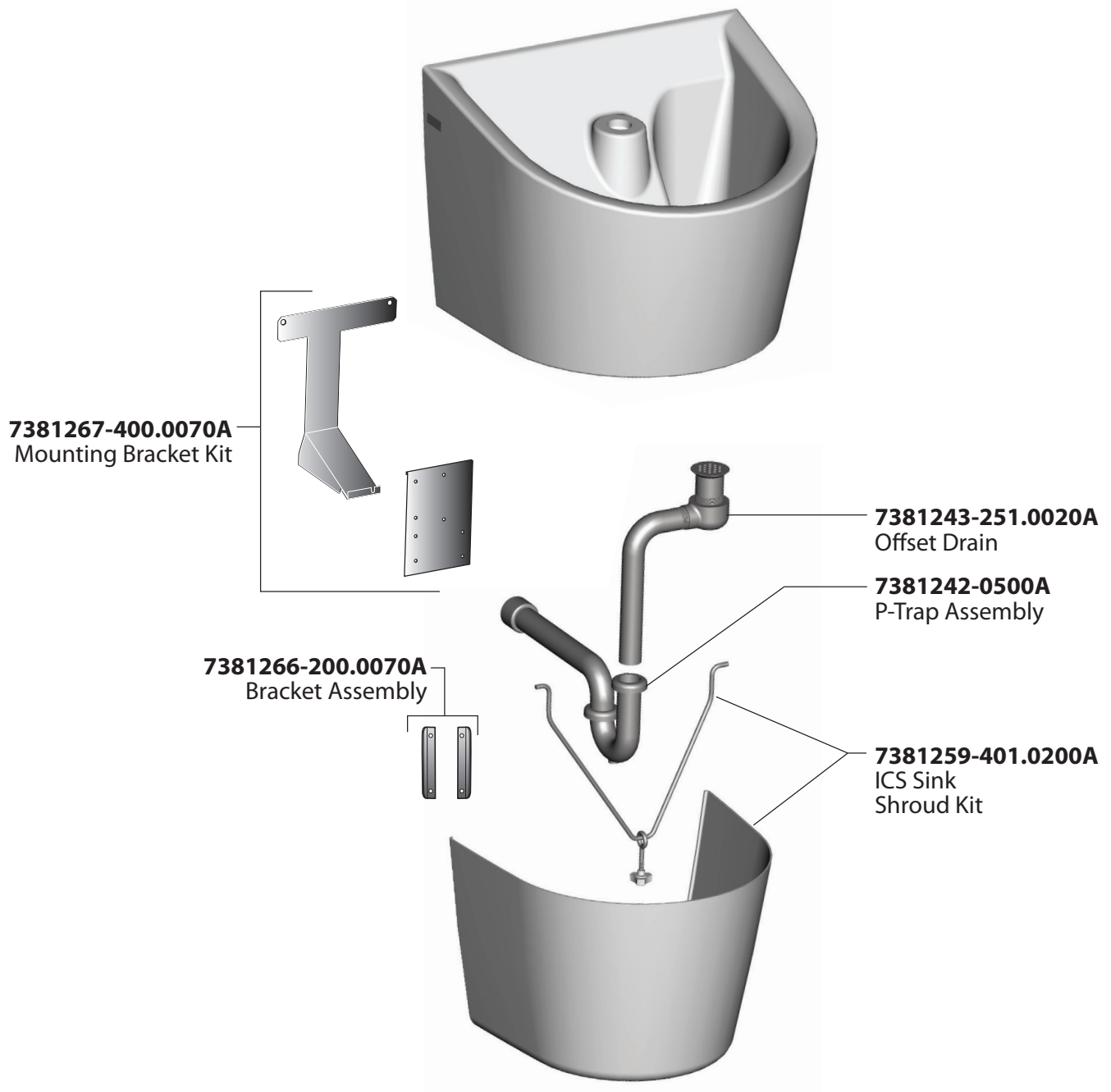
6. Retain APRON with THUMB NUT. Finger tight only.



IMPORTANT: SAVE ALL INSTALLATION INSTRUCTIONS FOR FUTURE USE

*American
Standard*

Repair Parts
ICS Sink
Models: 9118.111,
9118.100 & 9118.150



AS AMERICA, INC. ONE YEAR LIMITED WARRANTY

If inspection of this AS America, Inc. ("American Standard") plumbing product, within one year after its initial purchase, confirms that it is defective in materials or workmanship, American Standard will repair or, at its option, exchange the product for a similar model.

This limited warranty applies only to the original purchaser and installation of these products. In the event of a limited warranty claim, proof of purchase will be required—save sales receipt.

This limited warranty does not apply to local building code compliance. Since local building codes vary considerably, the purchaser of this product should check with a local building or plumbing contractor to insure local code compliance before installation.

This limited warranty is void if the product has been moved from its initial place of installation; if it has been subjected to faulty maintenance, abuse, misuse, accident or other damages; if it was not installed in accordance with American Standard's instructions; or if it has been modified in a manner inconsistent with the product as shipped by American Standard.

American Standard's option to repair or exchange the product under this limited warranty does not cover any labor or other costs of removal or installation. **IN NO EVENT WILL AMERICAN STANDARD BE LIABLE FOR THE COST OF REPAIR OR REPLACEMENT OF ANY INSTALLATION MATERIALS, INCLUDING BUT NOT LIMITED TO, TILES, MARBLE, ETC.** American Standard will not be responsible for any other incidental or consequential damages attributable to a product defect or to the repair or exchange of a defective product, all of which are expressly excluded from this limited warranty. This limited warranty does not cover any liability for consequential or incidental damages, all of which are hereby expressly disclaimed, or the extension beyond the duration of this limited warranty of any implied limited warranties, including those of merchantability or fitness for an intended purpose. (Some states or provinces do not allow the exclusion or limitation of implied limited warranties, so this exclusion may not apply to you.)

This limited warranty gives you specific legal rights. You may have other statutory rights that vary from state to state or from province to province, in which case this limited warranty does not affect such statutory rights.

In the United States:

American Standard Brands
P.O. Box 6820
Piscataway, New Jersey 08855
Attention: Director of Customer Care
For residents of the United States, warranty information may also be obtained by calling the following toll free number: (800) 442-1902
www.americanstandard.com

In Canada:

AS Canada, ULC
5900 Avebury Rd.
Mississauga, Ontario
Canada L5R 3M3
Toll Free: (800) 387-0369
www.americanstandard.ca

In Mexico:

American Standard B&K Mexico
S. de R.L. de C.V.
Via Morelos #330
Col. Santa Clara
Ecatepec 55540 Edo. Mexico
Toll Free: 01-800-839-1200
www.americanstandard.com.mx

THIS WARRANTY IS NOT TRANSFERABLE FROM ORIGINAL CONSUMER PURCHASER.