

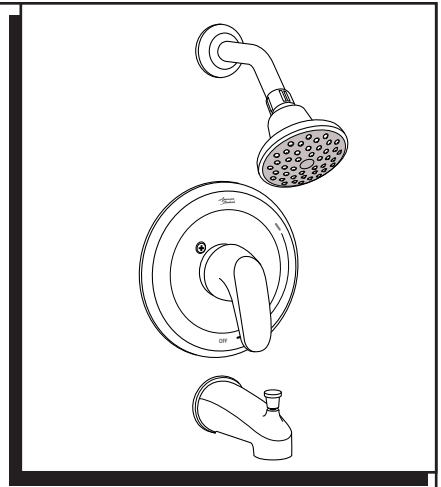
**COLONY® PRO
TUB AND SHOWER**

Thank you for selecting American Standard...
the benchmark of fine quality for over 100 years.

To ensure that your installation proceeds smoothly-please
read these instructions carefully before you begin.

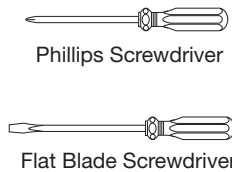
**INSTALLATION
INSTRUCTIONS**

- T075.500**
- T075.507**
- T075.508**
- T075.507xH**
- T075.508xH**



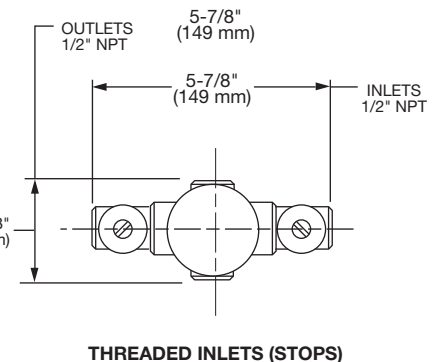
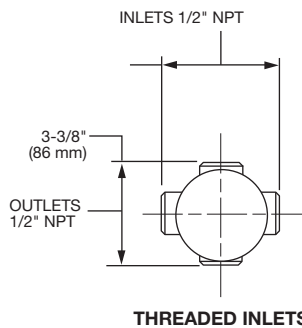
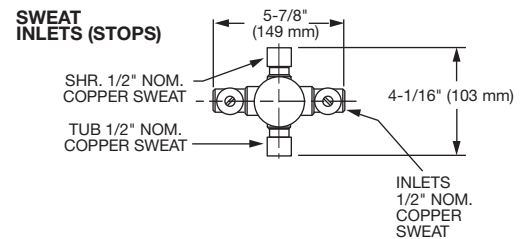
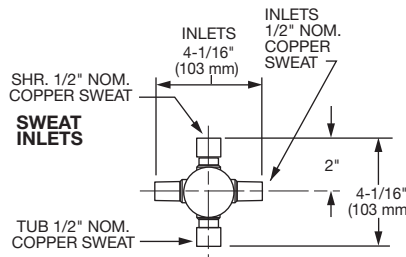
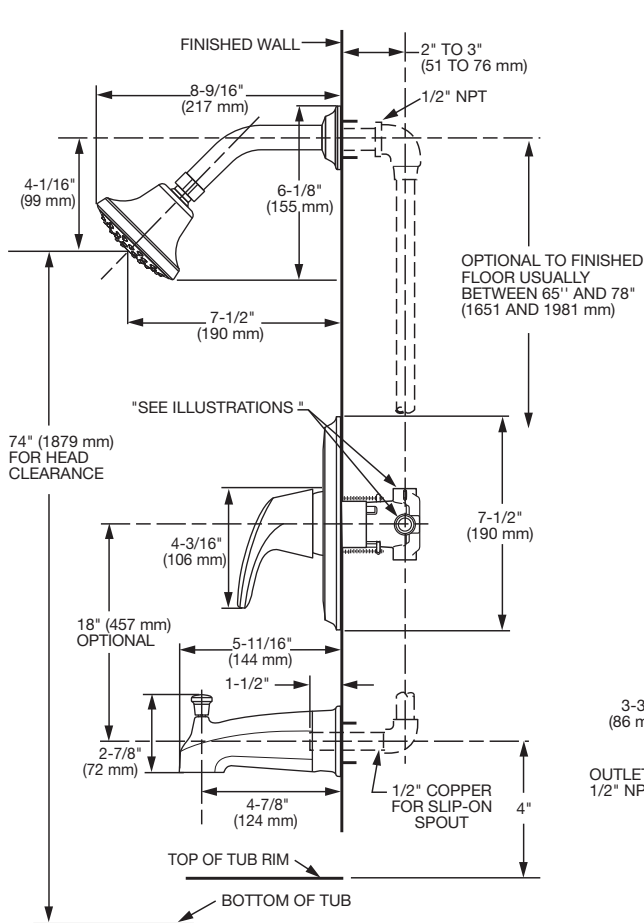
Certified to comply with ANSI A112.18.1M

RECOMMENDED TOOLS



ROUGHING-IN DIMENSIONS

- To assure proper positioning in relation to wall.
Note roughing-in dimensions.



1 INSTALL VALVE TRIM

- **Figure 1.** Remove plaster guard from valve. Push CAP (1) over VALVE CARTRIDGE (2) until seated against stop.
- **Figure 2.** Push ESCUTCHEON (3) onto CAP (1) and attach to valve body with LONG SCREWS (4).

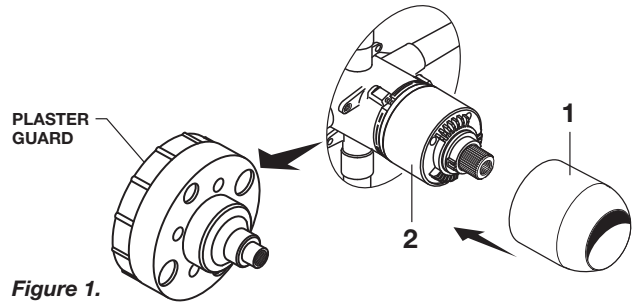


Figure 1.

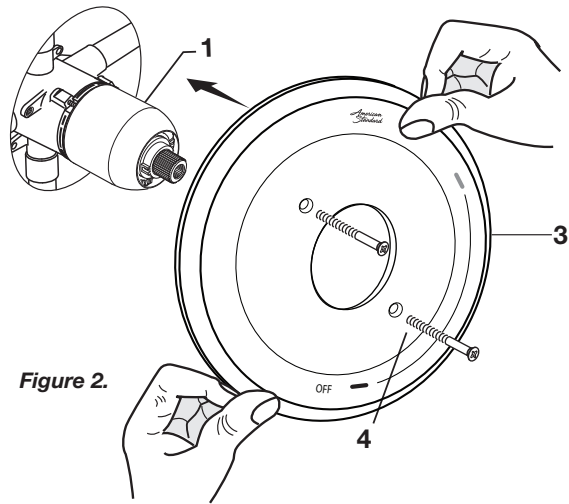
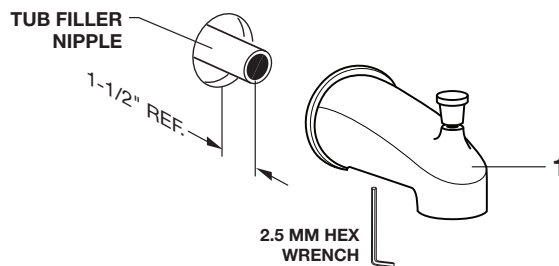
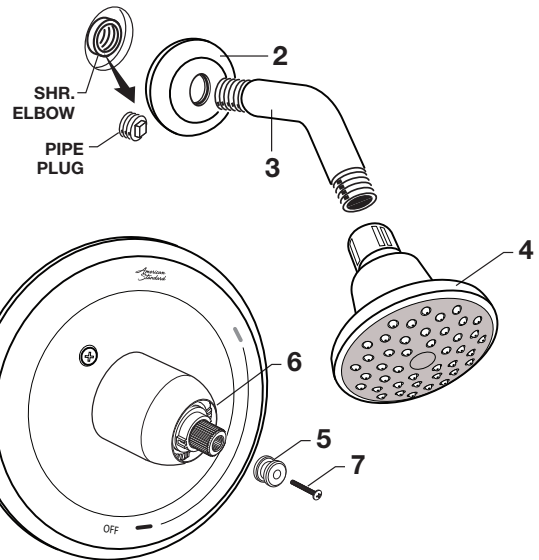


Figure 2.

2 INSTALL TUB SPOUT, SHOWER HEAD, SHOWER ARM WITH FLANGE

CAUTION Protect finish on SHOWER HEAD and TUB SPOUT when installing.

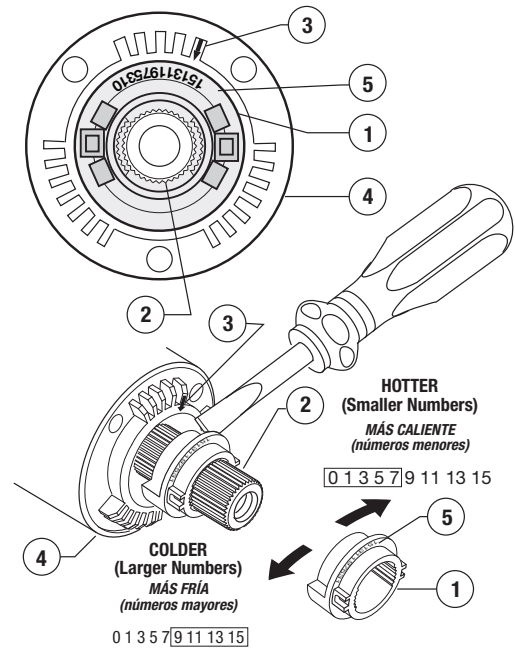
- Remove pipe cap and plug from shower and tub rough piping.
- Slip TUB SPOUT (1) onto tub nipple and tighten with 2.5 mm Hex Wrench.
- **CAUTION: Protect finish on TUB SPOUT when installing.**
- Install SHOWER ESCUTCHEON (2) onto SHOWER ARM (3). Apply sealant or Teflon tape to threads on both ends of SHOWER ARM (3) and thread longer leg of SHOWER ARM (3) into shower elbow.
- Thread SHOWER HEAD (4) onto SHOWER ARM (3).
- **CAUTION: Protect finish on SHOWER HEAD and ARM when installing.**
- Slip ADAPTER (5) onto CARTRIDGE (6) and thread SCREW (7) on.



3 ADJUST HOT LIMIT STOP

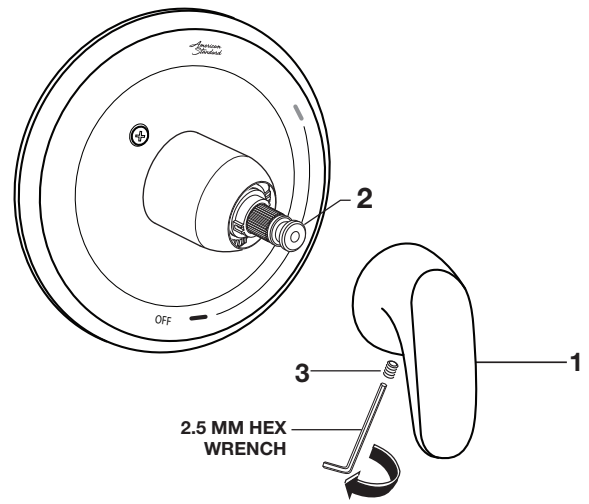
HOT LIMIT SAFETY STOP ADJUSTMENT

- By restricting HANDLE rotation and limiting the amount of hot water allowed to mix with the cold, the HOT LIMIT STOP (1) reduces risk of accidental scalding. To set the maximum hot water temperature of your faucet, all you need to do is adjust the setting on the HOT LIMIT STOP (1).
- Turn CARTRIDGE STEM (2) to the OFF position (coldest setting) before making adjustment to HOT LIMIT STOP (1). Use a flat blade screwdriver to pry free the HOT LIMIT STOP (1). Pull forward and rotate counterclockwise to limit hot water temperature. Use ARROW (3) on CARTRIDGE (4) and NUMBERS (5) on HOT LIMIT STOP (1) for indication.



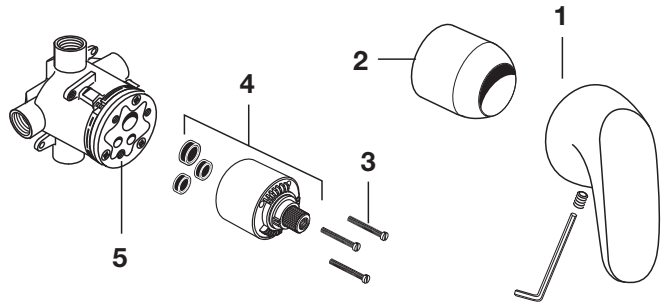
4 HANDLE INSTALLATION

- Install HANDLE (1) by pushing it onto CARTRIDGE STEM (2) and tightening SET SCREW (3) from below with 2.5 mm Hex Wrench supplied.



5 SERVICE

- If faucet drips, operate handle several times from “off” to “on”. Do not apply excessive force.
- Clogged CARTRIDGE (4) inlets may cause reduced flow in “full on” hot or cold. To clean inlets, first turn off water supply, then:
 - Remove HANDLE (1), CAP (2) and CARTRIDGE (4). Clean inlets and MANIFOLD (5).
 - Reassemble CARTRIDGE (4), alternately tightening SCREWS (3).
 - Replace CAP (2) and HANDLE (1). Check flow.



6 CARE INSTRUCTIONS:

DO: SIMPLY RINSE THE PRODUCT CLEAN WITH CLEAR WATER. DRY WITH A SOFT COTTON FLANNEL CLOTH.

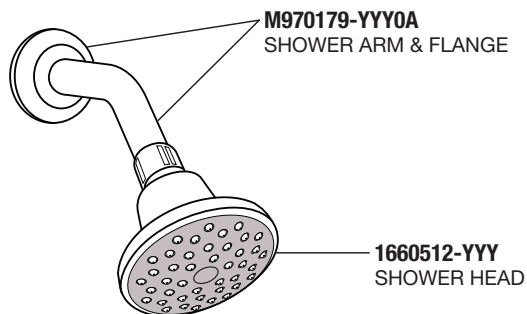
DO NOT: DO NOT CLEAN THE PRODUCT WITH SOAPS, ACID, POLISH, ABRASIVES, HARSH CLEANERS, OR A CLOTH WITH A COARSE SURFACE.

American Standard

COLONY® PRO TUB AND SHOWER

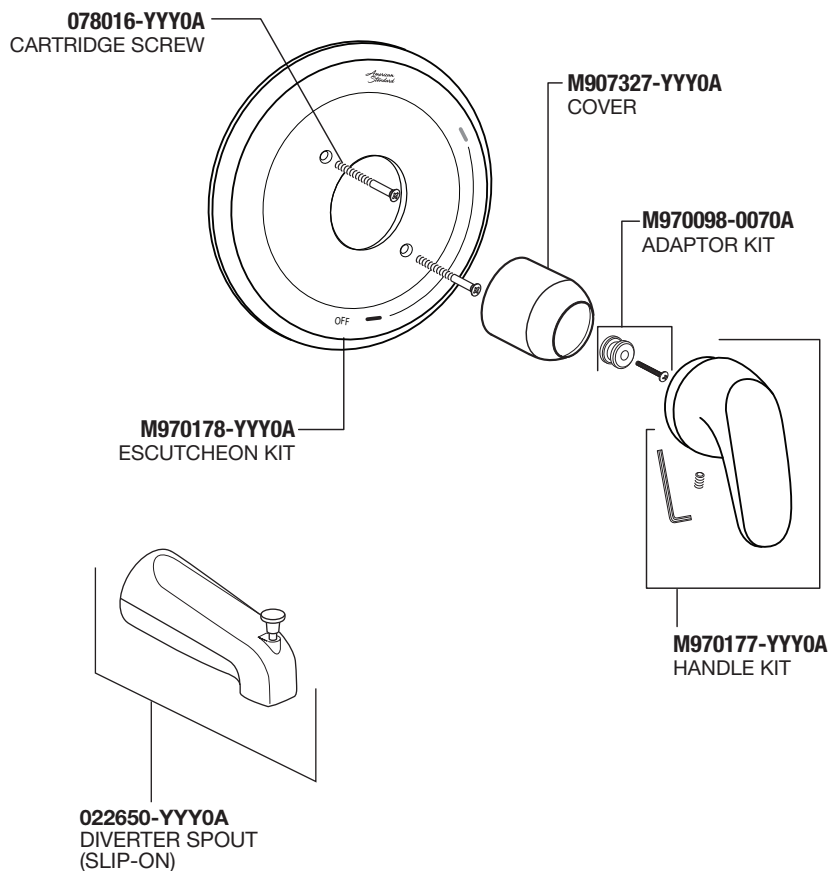
MODEL NUMBER

T075.500
T075.507
T075.508
T075.507xH
T075.508xH



Replace the "YYY" with appropriate finish code

POLISHED CHROME	002
LEGACY BRONZE	278
SATIN NICKEL	295



HOT LINE FOR HELP

For toll-free information and answers to your questions, call:
1 (800) 442-1902

Mon. - Fri. 8:00 a.m. to 8:00 p.m. EST

Saturday 10:00 a.m. to 4:00 p.m. EST

IN CANADA 1-800-387-0369

(TORONTO 1-905-306-1093)

Weekdays 8:00 a.m. to 7:00 p.m. EST

IN MEXICO 01-800-839-1200



PART OF LIXIL