

CADET® 6' x 42" WHIRLPOOL AND BATHING POOL

2774.018W Whirlpool

- Acrylic with fiberglass reinforcement
- Pre-leveled tub bottom
- Form-fitted backrest
- Molded-in armrests with elbow supports
- Dual accessory deck area
- Single speed pump/motor
- Factory installed power cord with plug
- Eight-jet system featuring:
 - Two multi-directional and flow adjustable Acumax™ high output jets
 - Six multi-directional and flow adjustable Acumax body massage jets including two in the lumbar area
- Side-mounted air switch On/Off
- Two silent air volume controls
- Quick Connect Safe-T-Heater connection system

2774.018WC EverClean® Whirlpool:

- Same as 2774.018W except with the EverClean System

2774.002 Bathing Pool only

Nominal Dimensions:

1829 x 1067 x 502mm
(72" x 42" x 19-3/4")

Compliance Certifications -

Meets or Exceeds the Following Specifications:

- Underwriters Laboratories - Hydromassage Bathtubs UL 1795
- ASME A112.19.7M for Whirlpool Appliances
- ANSI Z124.1 for Plastic Bathtubs
- ASTM E162 for Flammability
- NFPA 258 for Smoke Density

American Standard whirlpools and air baths with EverClean® incorporate a safe and effective silver-ion antimicrobial additive right into the circulation piping to protect the pipes from mold, mildew, algae and fungus that could cause deterioration or staining of the pipes.

SEE REVERSE FOR PRODUCT DIMENSIONS AND SPECIFICATIONS



Required Components (Specified finish):

- Color:
- Bath Filler
- Universal Bath Drain: 1583.470
- Deep Soak® Bathtub Drain (Bathing Pool only)**: 1640.305

Optional Components:

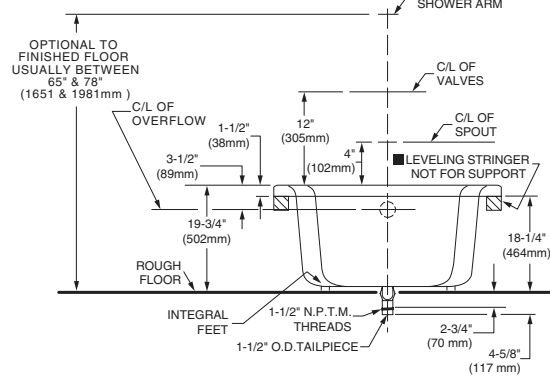
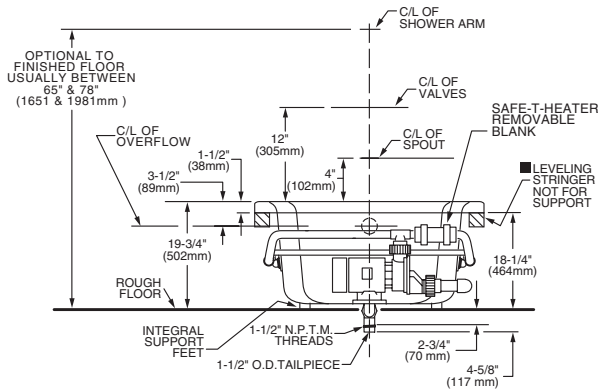
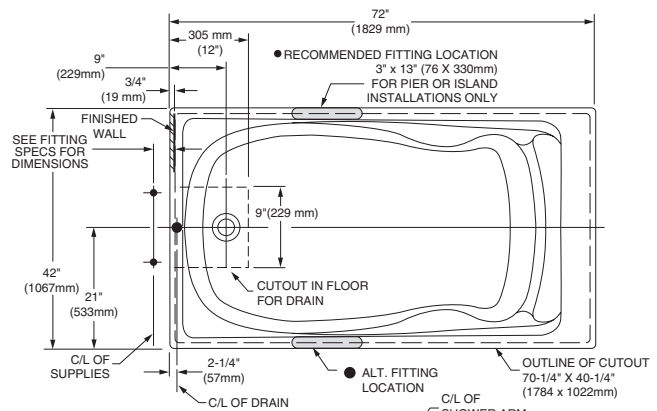
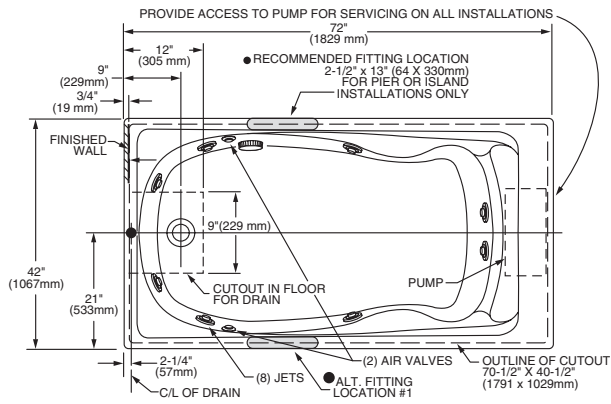
- Safe-T-Heater*: 9075.120
- 6 Foot Apron: 9272.018 (specify color)
- Universal Tile Bead Kit: 751755-100
- Grab Bar Kit: 9822.200-two per kit (specify finish)

For color/finish availability and other faucet choices, please see the Product Selector and Pricing Guide.

* **NOTE:** the Safe-T-Heater is designed to maintain water temperature during operation. It will not heat cold water to desired bathing temperature.

** **NOTE:** Deep Soak Bath Drain provides an additional 2" of water depth for a more luxurious bath.

CADET® 6' x 42" WHIRLPOOL AND BATHING POOL HIGH GLOSS



GENERAL SPECIFICATIONS FOR 2774 WHIRLPOOL

INSTALLED SIZE	72 x 42 x 19-3/4 In. (1829 x 1067 x 502mm)
WEIGHT	137 Lbs. (62 Kg.)
WEIGHT w/WATER	821 Lbs. (372 Kg.)
GAL. TO OVERFLOW	82 Gal. (310 L.)
Min. OPERATING GAL.	66 Gal. (256 L.)
BATHING WELL AT SUMP	50 x 27 In. (1270 mm x 686 mm)
BATHING WELL AT RIM	65 x 33 In. (1651 x 838mm)
WATER DEPTH TO OVERFLOW	13 In. (330 mm)
FLOOR LOADING (PROJECTED AREA)	42 Lbs./Sq. Ft. (203 Kgs/Sq. m.)
PTS.	27.8
CUBE (FT ³)	55.5

WHIRLPOOL ELECTRICAL SPECIFICATIONS

PUMP	120V., 60 HZ, 15A GFCI
------	------------------------

GENERAL SPECIFICATIONS FOR 2774 BATHING POOL

INSTALLED SIZE	72 x 42 x 19-3/4 In. (1829mm x 1067 mm x 502mm)
WEIGHT	112 Lbs. (50 Kg.)
WEIGHT w/WATER	795 Lbs. (358 Kg.)
GAL. TO OVERFLOW	82 Gal. (311 l.)
BATHING WELL AT SUMP	50 x 27 In. (1270 mm x 686 mm)
BATHING WELL AT RIM	66 x 33 In. (1676 x 838mm)
WATER DEPTH TO OVERFLOW	13 In. (330 mm)
FLOOR LOADING (PROJECTED AREA)	41 Lbs./Sq. Ft. (197 Kgs/Sq. m.)
PTS.	27.8
CUBE (FT ³)	55.5

NOTES:

BATH CAN BE INSTALLED EITHER ABOVE OR BELOW FLOOR LINE AS PIER, ISLAND, OR PENINSULA TYPE INSTALLATION. SUMP OF BATH IS SUPPORTED BY INTEGRAL FEET. NO ADDITIONAL SUPPORT REQUIRED. ENCLOSING MATERIAL BY OTHERS.

REFER TO INSTALLATION INSTRUCTIONS SUPPLIED WITH WHIRLPOOL FOR ADDITIONAL INFORMATION.

OPTIONAL 3 WALL TILING BEAD. KIT AND APRON NO. 9272.018 AVAILABLE AND MUST BE ORDERED SEPARATELY.

FITTINGS NOT INCLUDED AND MUST BE ORDERED SEPARATELY.

PROVIDE SUITABLE REINFORCEMENT FOR ALL SUPPORTS.

IF INSTALLING A DECK-MOUNTED FITTING, BEFORE DRILLING ANY HOLES: CHECK FOR INTERFERENCE WITH CIRCULATING SYSTEM PIPING, DRAIN OVERFLOW, AND APRON INSTALLATION. MOUNTING HOLES DRILLED BY INSTALLER.

IMPORTANT: Dimensions of fixtures are nominal and may vary within the range of tolerances established by ANSI Standard Z124.1 These measurements are subject to change or cancellation. No responsibility is assumed for use of superseded or voided leaflet.