



# 1 INSTALL VALVE TRIM

- **Figure 1.** Remove plaster guard from valve. Push CAP (1) over VALVE CARTRIDGE (2) until seated against stop.
- **Figure 2.** Push ESCUTCHEON (3) onto CAP (1) and attach to valve body with LONG SCREWS (4) (cut screws if needed). Mount DECORATIVE PLATE (5) to ESCUTCHEON (3) by aligning three PINS (6) on back side of DECORATIVE PLATE (5).

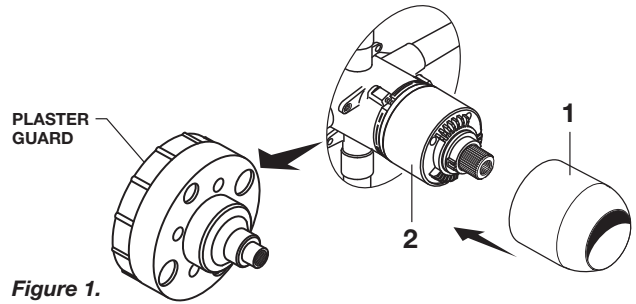


Figure 1.

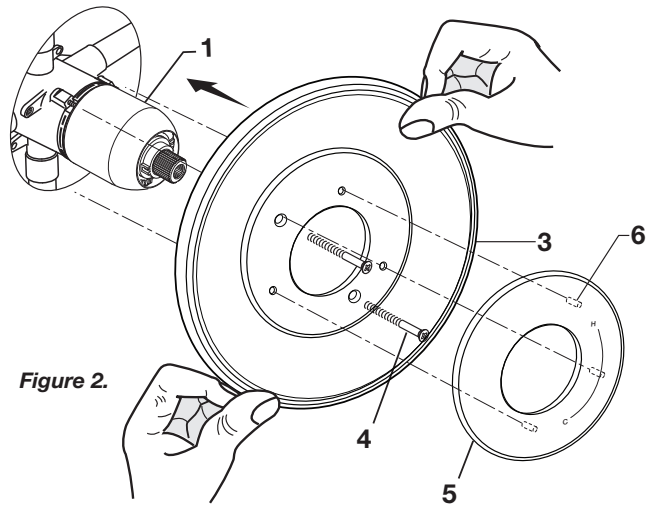
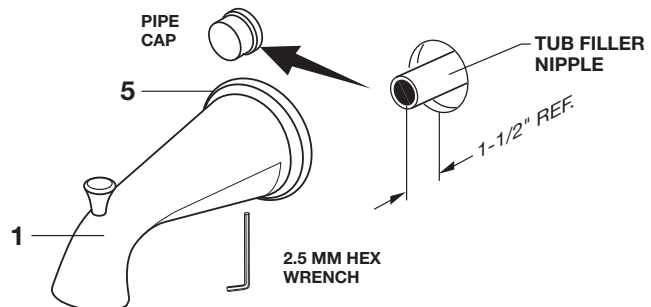
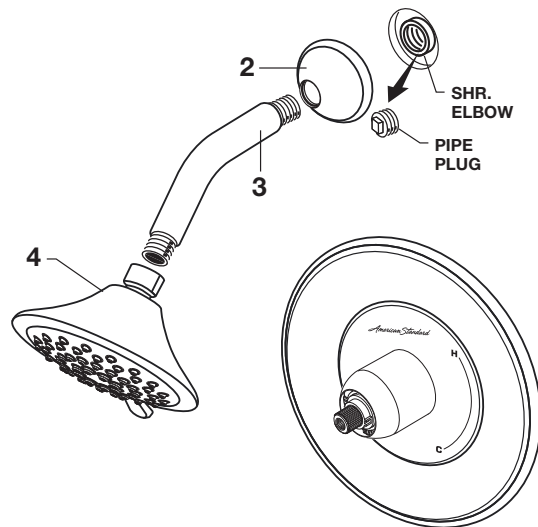


Figure 2.

# 2 INSTALL TUB SPOUT, SHOWER HEAD, SHOWER ARM WITH FLANGE

**CAUTION** Protect finish on SHOWER HEAD and TUB SPOUT when installing.

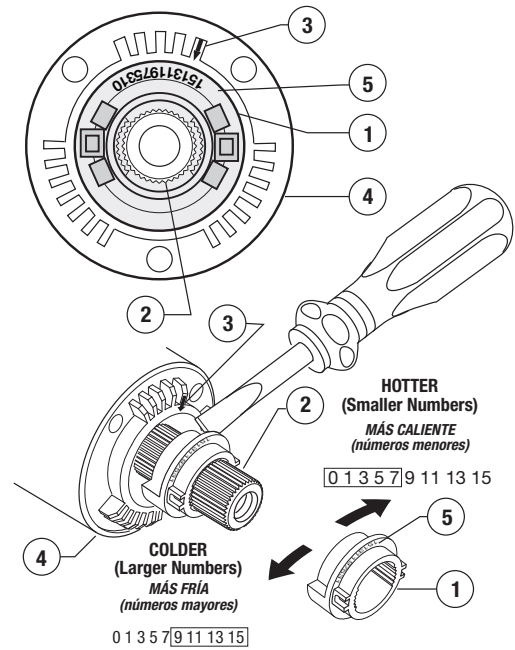
- Remove pipe cap and plug from shower and tub rough piping.
- Slip DECORATIVE PLATE (5), then slip TUB SPOUT (1) onto tub nipple and tighten with 4mm Hex Wrench. **CAUTION: Protect finish on TUB SPOUT when installing.**
- Install SHOWER ESCUTCHEON (2) onto SHOWER ARM (3). Apply sealant or Teflon tape to threads on both ends of SHOWER ARM (3) and thread longer leg of SHOWER ARM (3) into shower elbow.
- Thread SHOWER HEAD (4) onto SHOWER ARM (3). **CAUTION: Protect finish on SHOWER HEAD and ARM when installing.**



### 3 ADJUST HOT LIMIT STOP

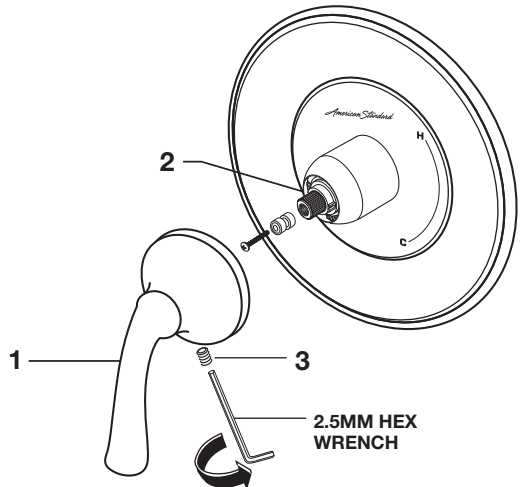
#### HOT LIMIT SAFETY STOP ADJUSTMENT

- By restricting HANDLE rotation and limiting the amount of hot water allowed to mix with the cold, the HOT LIMIT STOP (1) reduces risk of accidental scalding. To set the maximum hot water temperature of your faucet, all you need to do is adjust the setting on the HOT LIMIT STOP (1).
- Turn CARTRIDGE STEM (2) to the OFF position (coldest setting) before making adjustment to HOT LIMIT STOP (1). Use a flat blade screwdriver to pry free the HOT LIMIT STOP (1). Pull forward and rotate counterclockwise to limit hot water temperature. Use ARROW (3) on CARTRIDGE (4) and NUMBERS (5) on HOT LIMIT STOP (1) for indication.



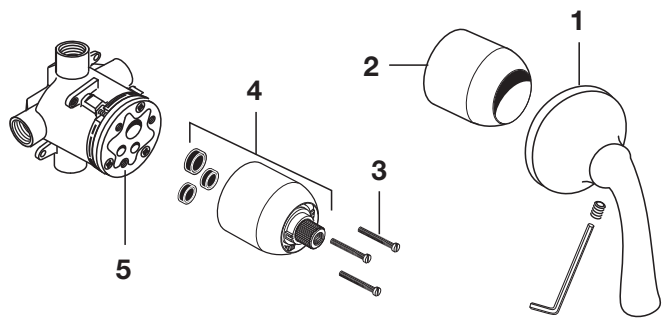
### 4 HANDLE INSTALLATION

- Install HANDLE (1) by pushing it onto CARTRIDGE STEM (2) and tightening SET SCREW (3) from below with 2.5 mm Hex Wrench supplied.



### 5 SERVICE

- If faucet drips, operate handle several times from “off” to “on”. Do not apply excessive force.
- Clogged CARTRIDGE (4) inlets may cause reduced flow in “full on” hot or cold. To clean inlets, first turn off water supply, then:
  - Remove HANDLE (1), CAP (2) and CARTRIDGE (4). Clean inlets and MANIFOLD (5).
  - Reassemble CARTRIDGE (4), alternately tightening SCREWS (3).
  - Replace CAP (2) and HANDLE (1). Check flow.



### 6 CARE INSTRUCTIONS:

**DO: SIMPLY RINSE THE PRODUCT CLEAN WITH CLEAR WATER. DRY WITH A SOFT COTTON FLANNEL CLOTH.**  
**DO NOT: DO NOT CLEAN THE PRODUCT WITH SOAPS, ACID, POLISH, ABRASIVES, HARSH CLEANERS, OR A CLOTH WITH A COARSE SURFACE.**

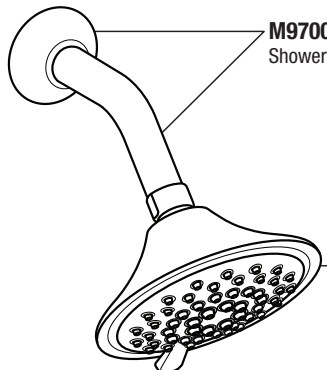
# American Standard

## PATIENCE TUB AND SHOWER

MODEL NUMBER

**T106.500**  
**T106.501**  
**T106.502**  
**T106.507**  
**T106.508**

**M970092-YYY0A**  
Shower Arm & Flange



**1660738.YYY**  
Shower Head  
(1.75 gpm)

**1660739.YYY**  
Shower Head  
(2.5 gpm)

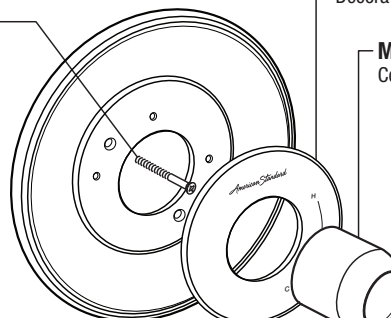
Replace the "YYY" with appropriate finish code

POLISHED CHROME	002
POLISHED NICKEL	013
LEGACY BRONZE	278
BRUSHED NICKEL	295

**078016-YYY0A**  
Escutcheon Screw

**M907414-YYY0A**  
Decorative Ring

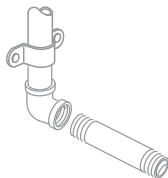
**M907053-YYY0A**  
Cover



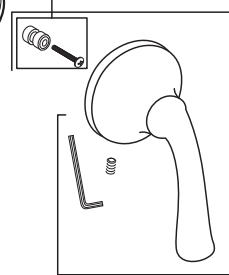
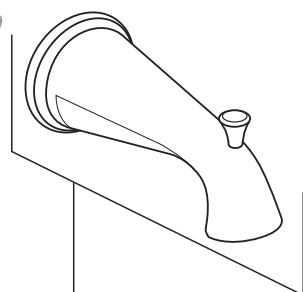
**M970098-0070A**  
Adaptor Kit

**M907858-YYY0A**  
Escutcheon

**M970281-YYY0A**  
Handle Kit



**8888101.YYY**  
Tub Spout



PART OF **LIXIL**

### HOT LINE FOR HELP

For toll-free information and answers to your questions, call:  
 1 (800) 442-1902

Mon. - Fri. 8:00 a.m. to 8:00 p.m. EST  
 Saturday 10:00 a.m. to 4:00 p.m. EST

IN CANADA 1-800-387-0369  
 (TORONTO 1-905-306-1093)

Weekdays 8:00 a.m. to 7:00 p.m. EST

IN MEXICO 01-800-839-1200

