

artos[®]

TS172

trova shower set
with tub filler square

OPERATING SPECIFICATIONS



MIXED WATER TEMPERATURE

Maximum: 120°F

INCLUDES

Shower Head & Arm
Valve Trim
Tub Filler with Diverter



OPERATING PRESSURE

Minimum: 20 psi
Maximum: 125 psi
Recommended: 30 psi - 95 psi
Operating pressures (on hot and cold lines) should be kept as balanced as possible, in order to assure the maximum efficiency.

HOT WATER SUPPLY TEMPERATURE

Maximum: 185°F
Minimum: 50°F
Advisable: 150°F - 160°F
Minimum difference between hot mixed temperature: 50°F

FLOW CAPACITY

Shower Head: 1.8 GPM
Tub Filler: 6.3 GPM



APPROVAL



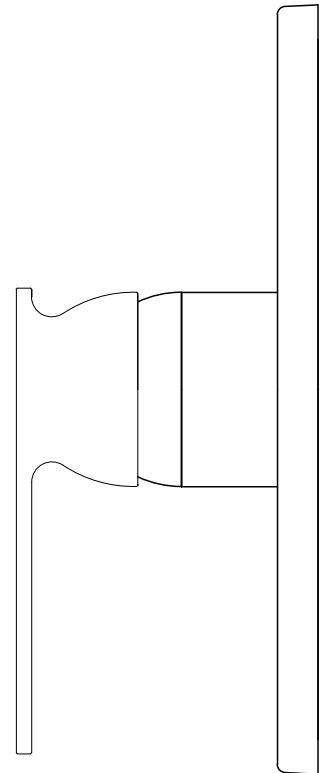
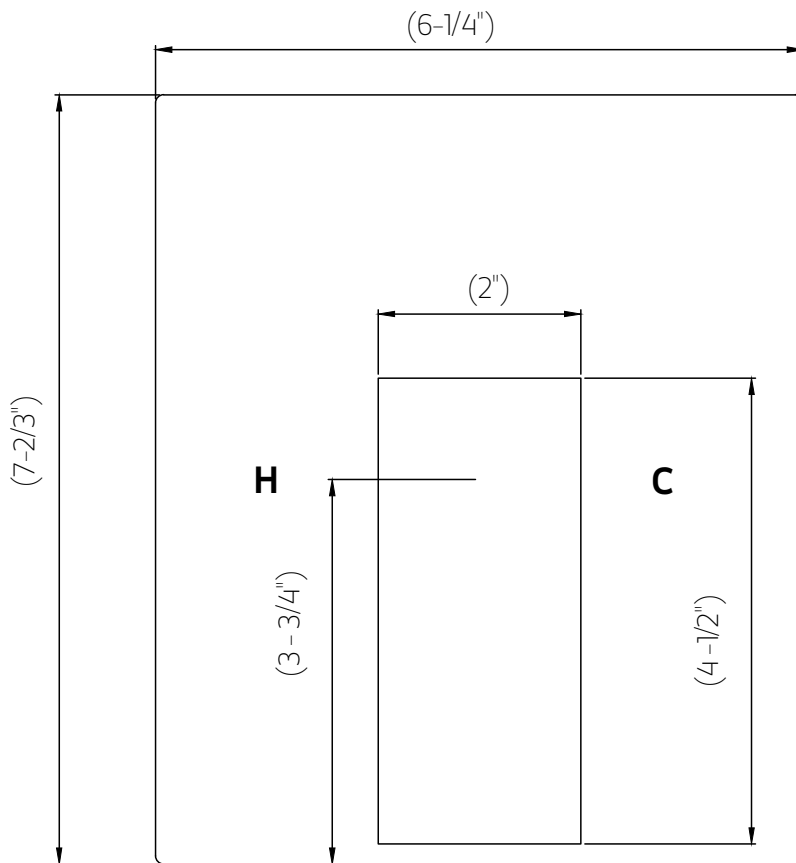
artos[®]

TS172

PRODUCT DIMENSIONS

trova shower set
with tub filler square

for trim kit



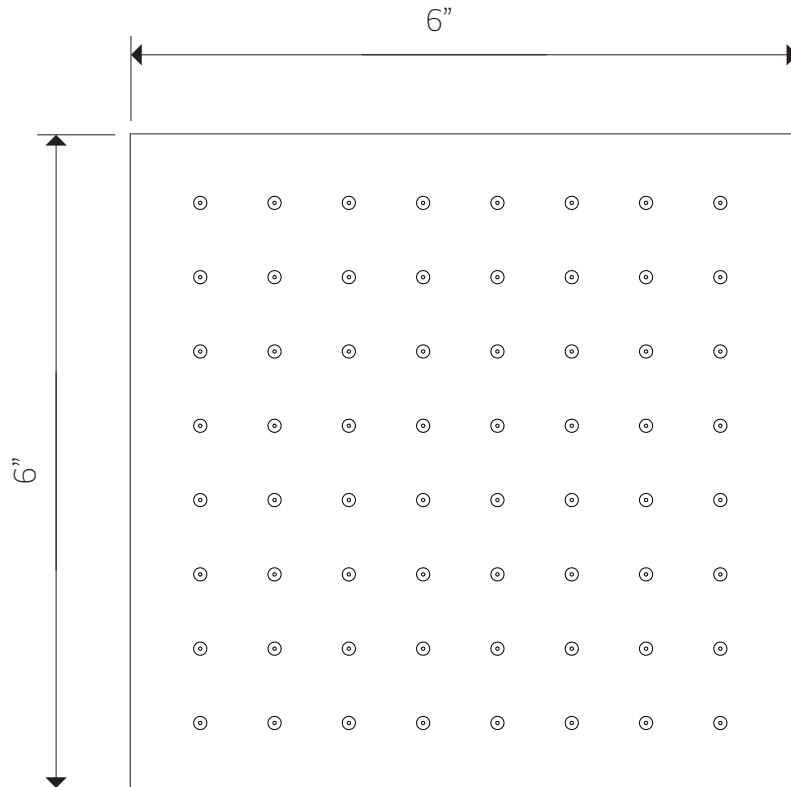
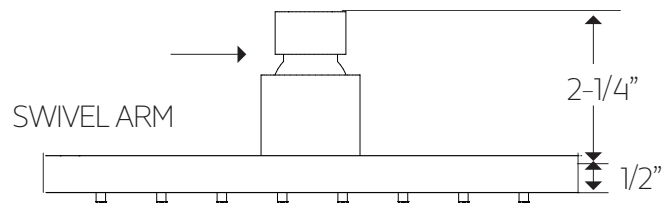
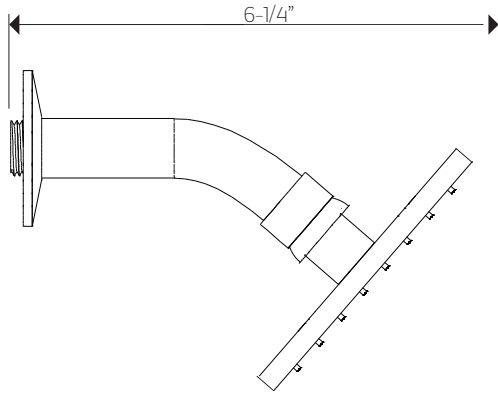
artos[®]

TS172

PRODUCT DIMENSIONS

trova shower set
with tub filler square

for shower head



artos[®]

TS172

trova shower set
with tub filler square

PRODUCT DIMENSIONS

for tub filler

