

# artos<sup>®</sup>

## TS073

trova thermostatic shower  
set with handheld, tub filler

## OPERATING SPECIFICATIONS



### FEATURES

Solid Brass  
3-Outlets

### OPERATING PRESSURE

Minimum: 15 psi  
Maximum: 75 psi  
Above 90 psi it may be necessary to install a pressure reducer

### OPERATING TEMPERATURE

Maximum: 176°

### FLOW CAPACITY

Hand Shower: 2.0 USGPM  
Shower Head: 1.8 USGPM  
Tub Filler: 6.0 USGPM

### APPROVAL



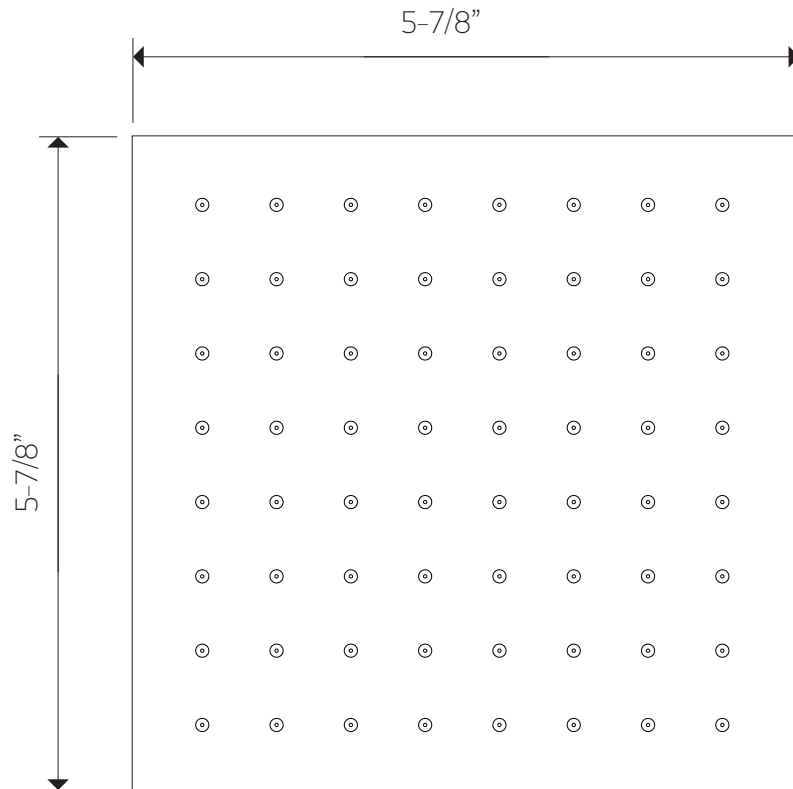
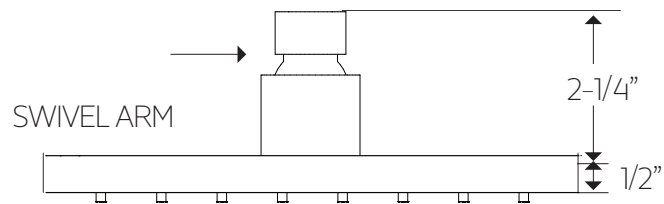
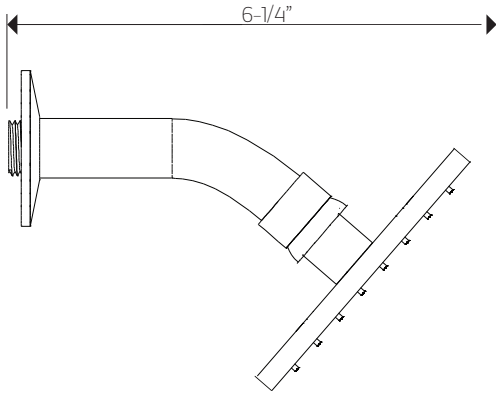
# artos<sup>®</sup>

## TS073

### PRODUCT DIMENSIONS

trova thermostatic shower  
set with handheld, tub filler

for showerhead



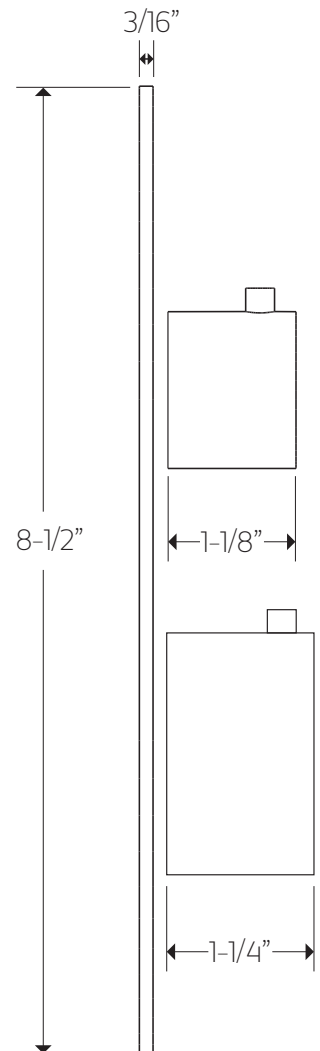
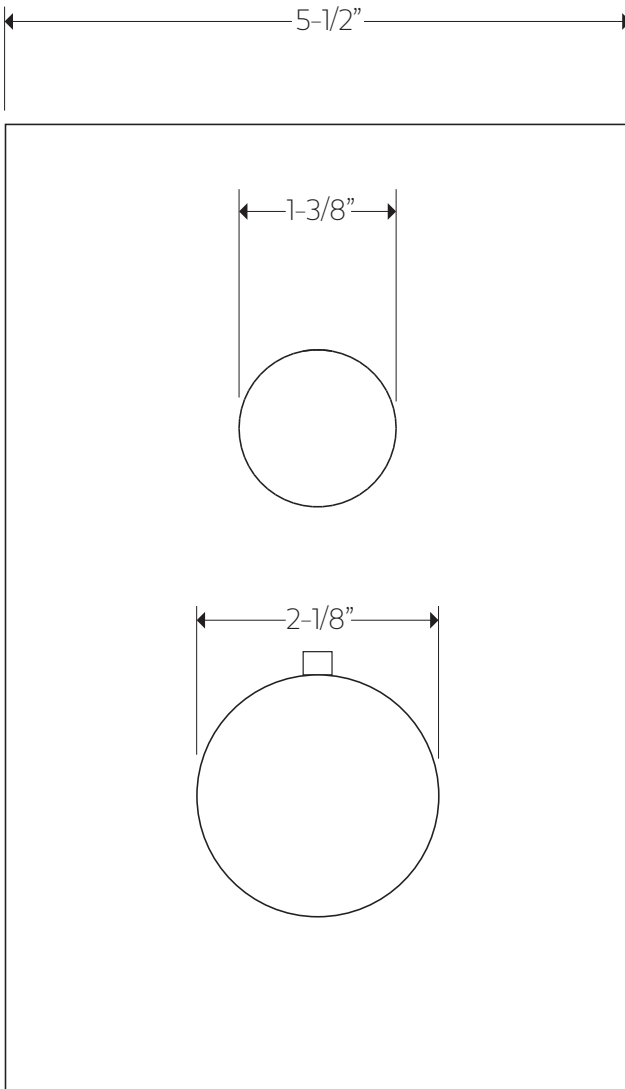
# artos<sup>®</sup>

## TS073

trova thermostatic shower  
set with handheld, tub filler

### PRODUCT DIMENSIONS

for trim kit



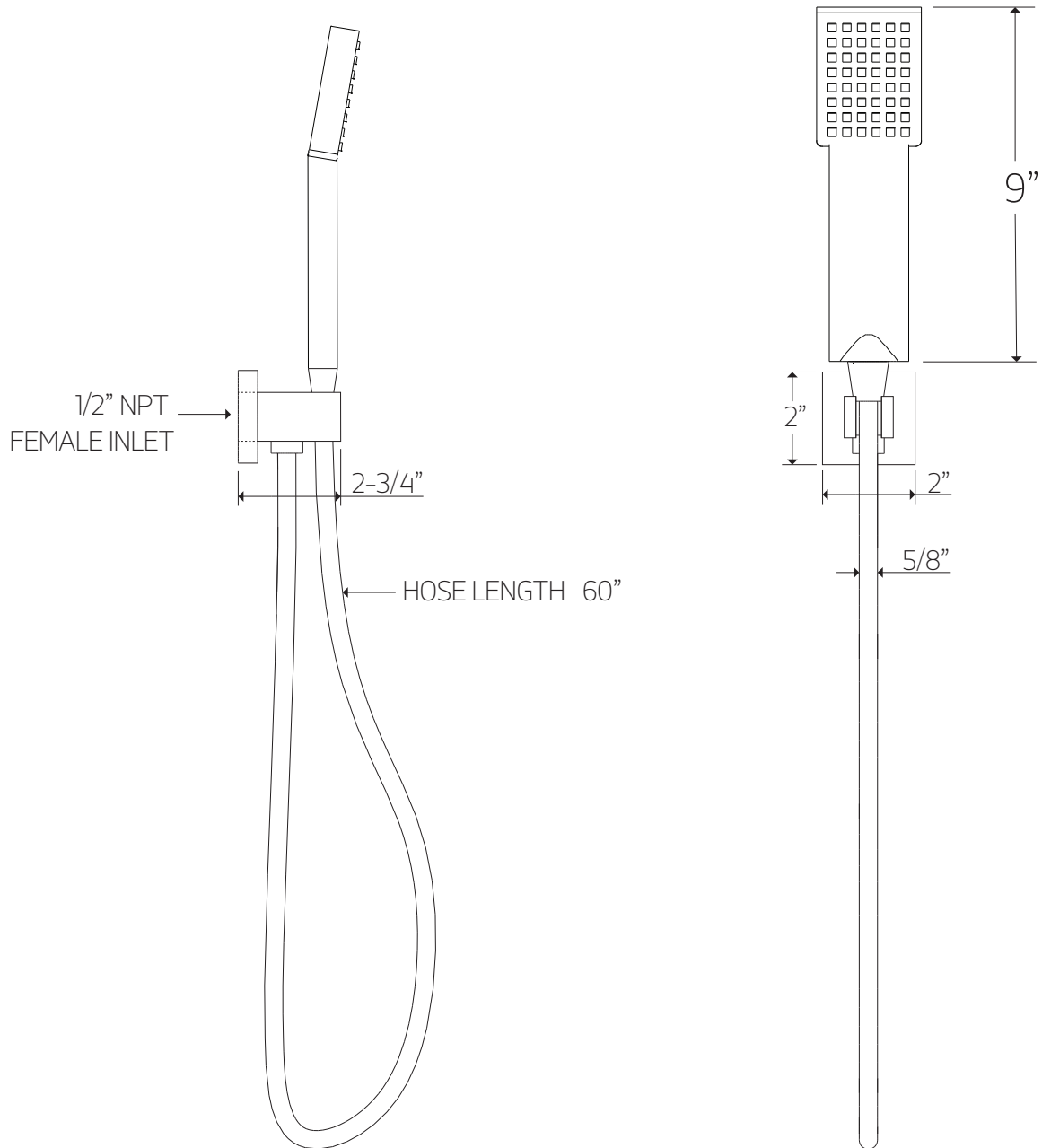
# artos<sup>®</sup>

## TS073

trova thermostatic shower  
set with handheld, tub filler

### PRODUCT DIMENSIONS

for handheld



# artos<sup>®</sup>

## TS073

### PRODUCT DIMENSIONS

trova thermostatic shower  
set with handheld, tub filler

for tub filler

