

artos[®]

TS071

OPERATING SPECIFICATIONS

trova thermostatic
shower set with handheld



FEATURES

Solid Brass
2-Outlets

INCLUDES

Valve-Trim

OPERATING PRESSURE

Minimum: 15 psi
Maximum: 125 psi
Above 90psi it may be necessary to install a pressure reducer

OPERATING TEMPERATURE

Maximum: 176°

FLOW CAPACITY

Shower Head: 1.8 USGPM

STANDARDS

ASSE 1016-2011 | ASME_A112.1016-2011 | CSA B125:16-11

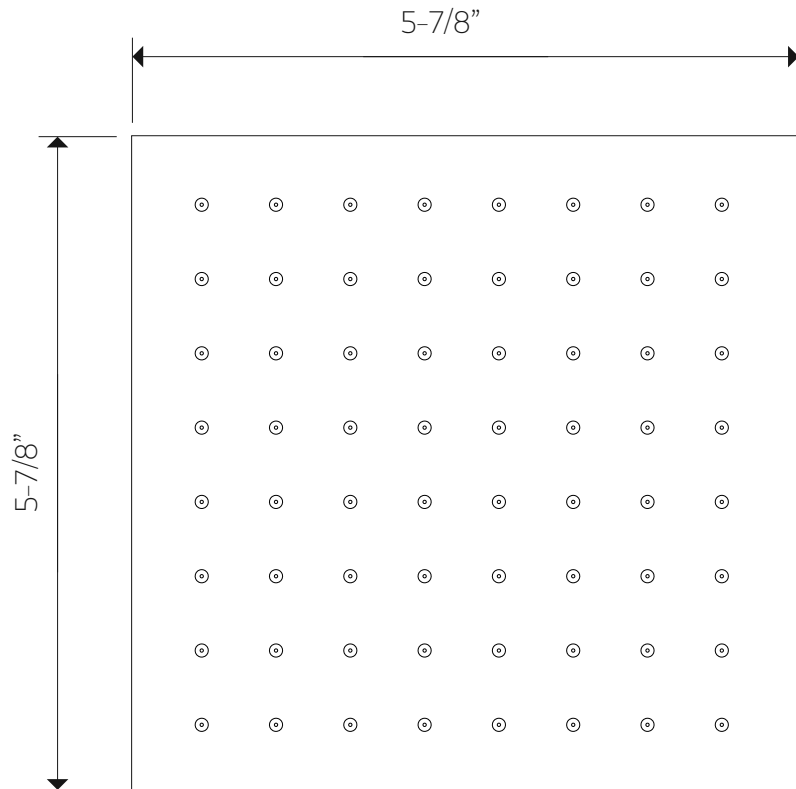
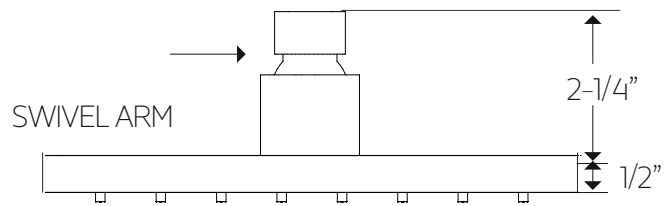
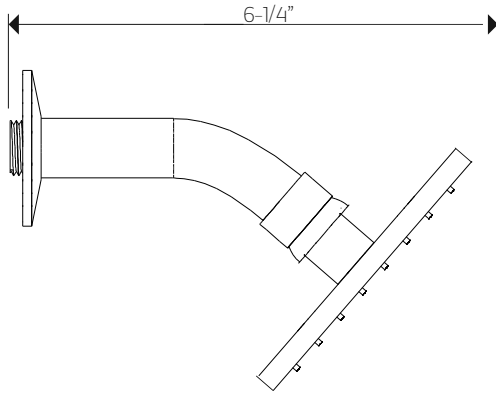


artos[®]

TS071

PRODUCT DIMENSIONS

trova thermostatic
shower set with handheld

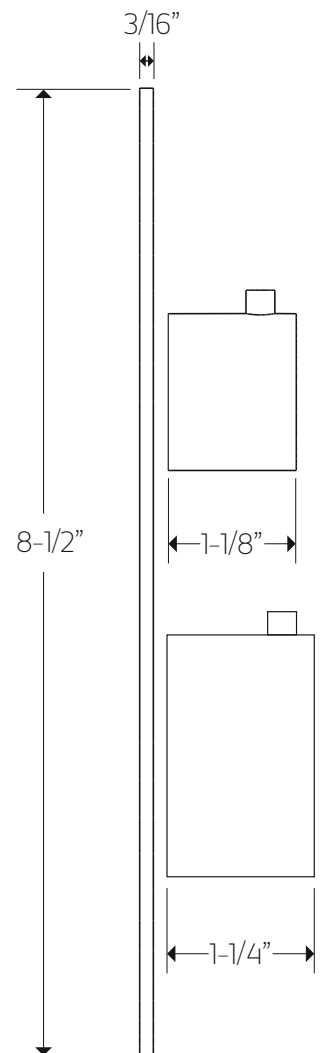
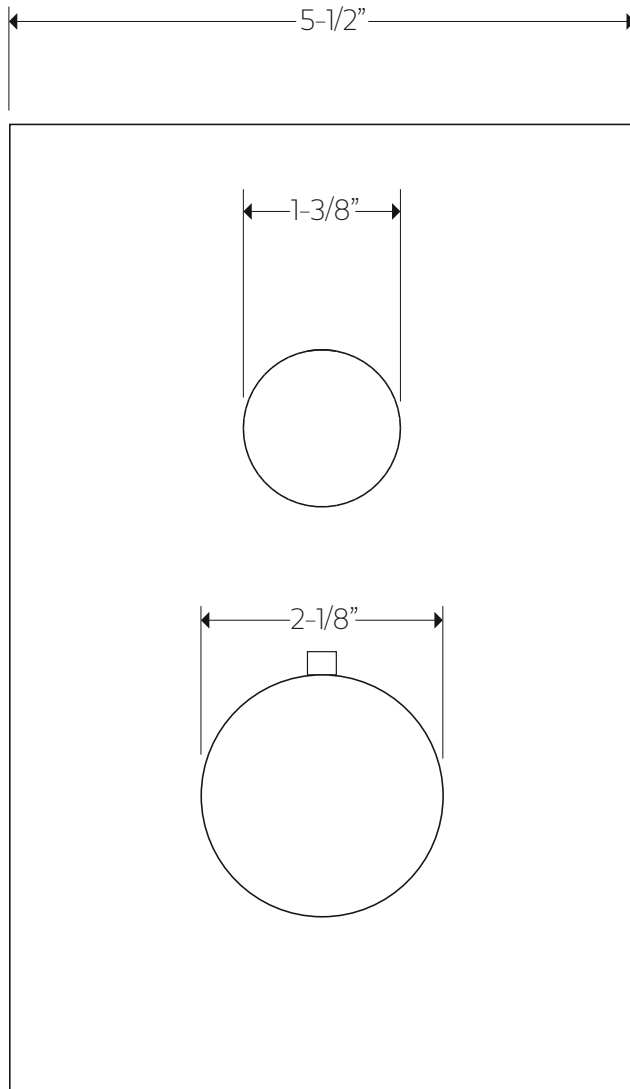


artos[®]

TS071

PRODUCT SPECIFICATIONS

trova thermostatic
shower set with handheld



trova thermostatic
shower set with handheld

