

artos[®]

PS149

OPERATING SPECIFICATIONS

premier series shower set



FEATURES

Solid Brass

2-Outlets

OPERATING PRESSURE

Minimum: 15 psi

Maximum: 75 psi

Above 90psi it may be necessary to install a pressure reducer

OPERATING TEMPERATURE

Maximum: 176°

FLOW CAPACITY

Tub Filler: 6.1 USGPM

Hand Shower: 1.8 USGPM

F901-8 & F902-14 APPROVAL



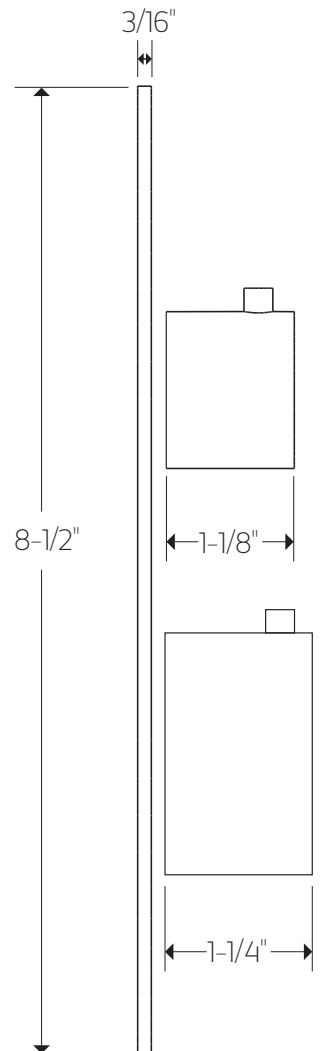
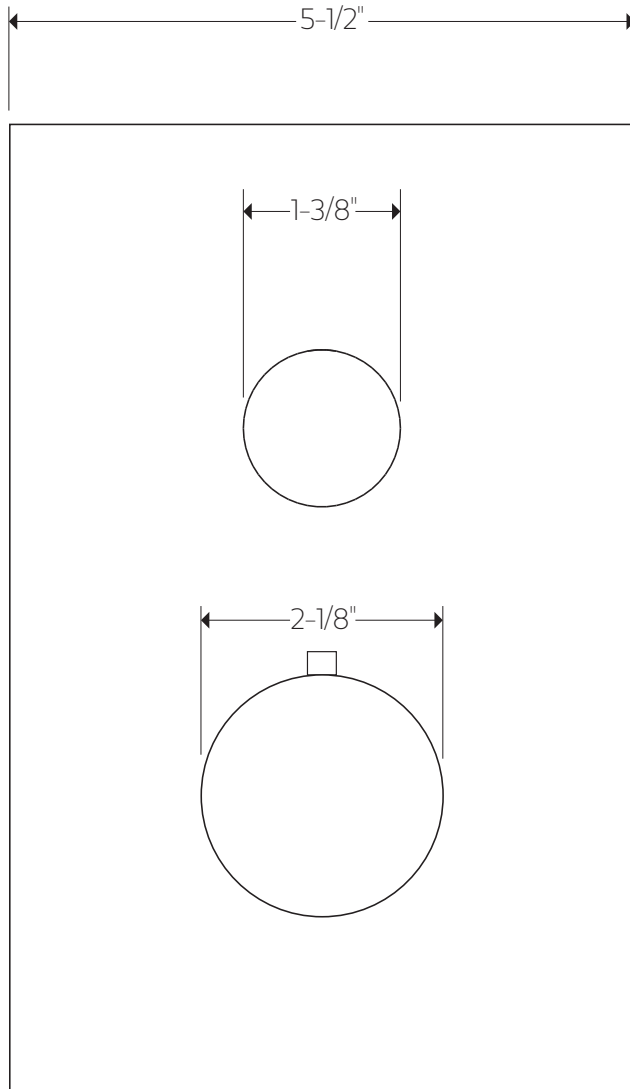
artos[®]

PS149

PRODUCT DIMENSIONS

premier series shower set

for trim kit



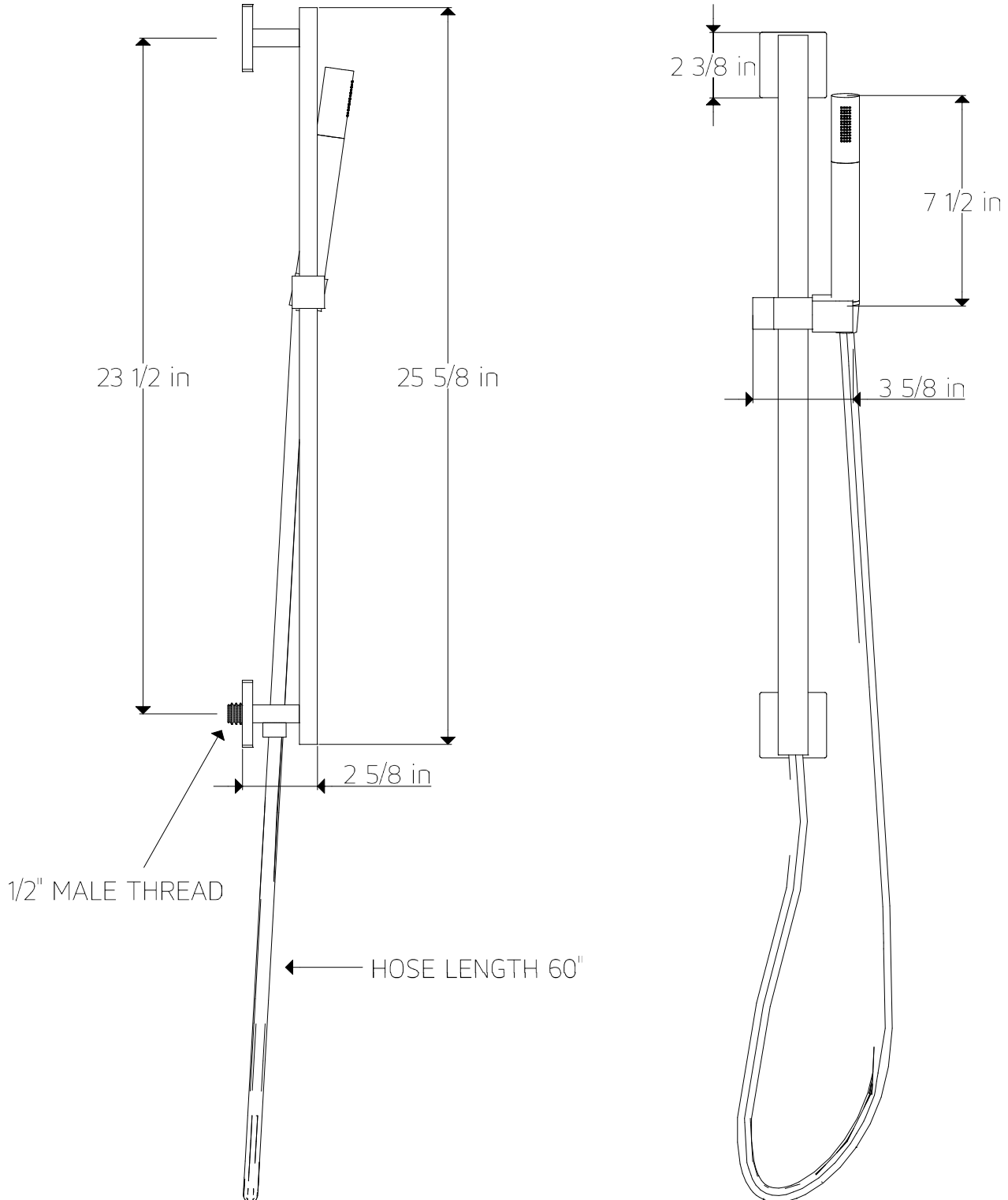
artos[®]

PS149

premier series shower kit

PRODUCT DIMENSIONS

for hand shower



artos[®]

PS149

PRODUCT DIMENSIONS

premier series shower set

for tub filler

