

artos[®]

PS148

premier series shower set

OPERATING SPECIFICATIONS



FEATURES

Solid Brass

2-Outlets

INCLUDES

F903B-58TK

F907-28

F908-4

OPERATING PRESSURE

Minimum: 15 psi

Maximum: 75 psi

Above 90psi it may be necessary to install a pressure reducer

OPERATING TEMPERATURE

Maximum: 176°

FLOW CAPACITY

Hand Shower: 1.8 USGPM

Tub Filler: 6.0 USGPM

F901-8 APPROVAL



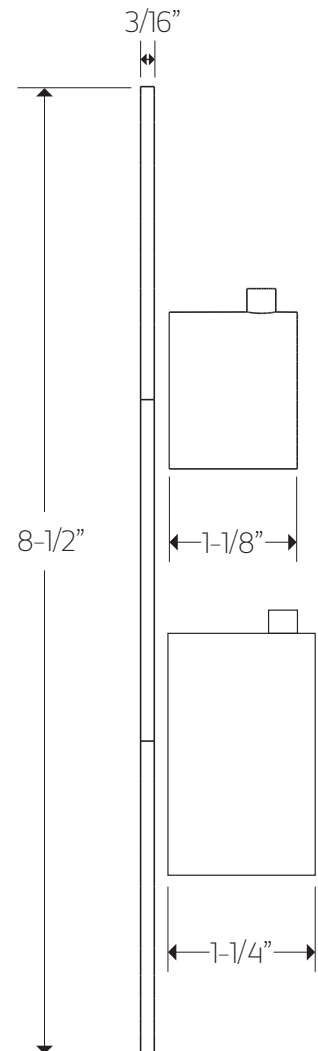
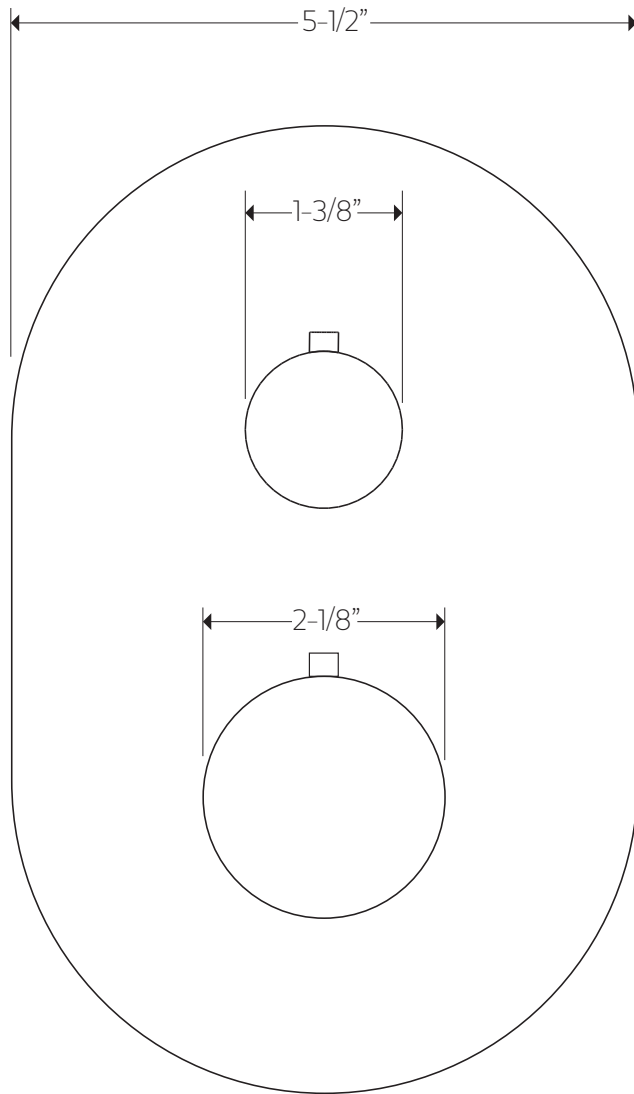
artos[®]

PS148

PRODUCT DIMENSIONS

premier series shower set

for



artos[®]

PS148

PRODUCT DIMENSIONS

premier series shower set

for

