

artos®

PS147

premier series shower set

OPERATING SPECIFICATIONS

FEATURES

Solid Brass
2-Outlets

INCLUDES

F903B-59TK
F402-10
F907-46

OPERATING PRESSURE

Minimum: 15 psi
Maximum: 75 psi
Above 90psi it may be necessary to install a pressure reducer

OPERATING TEMPERATURE

Maximum: 176°

FLOW CAPACITY

Tub Filler: 6.1 USGPM
Hand Shower: 1.8 USGPM

APPROVAL



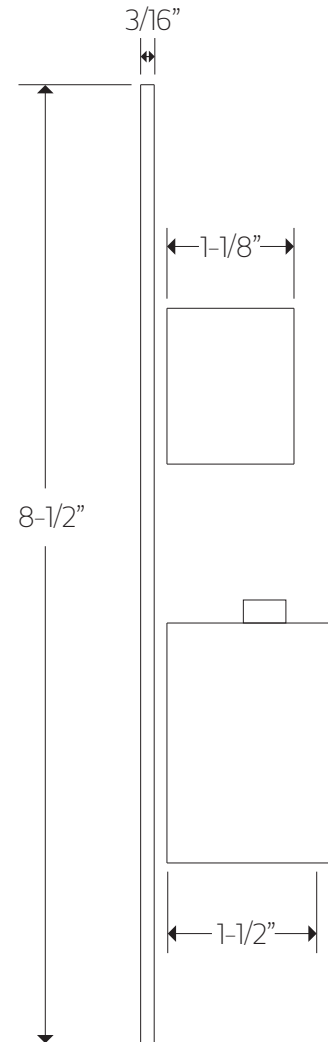
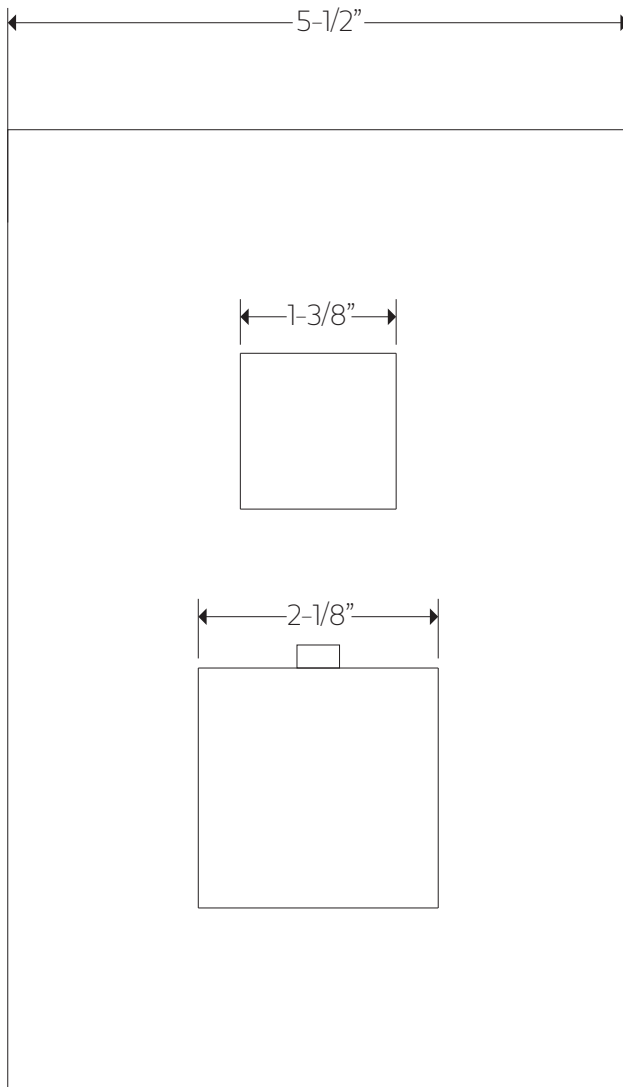
artos[®]

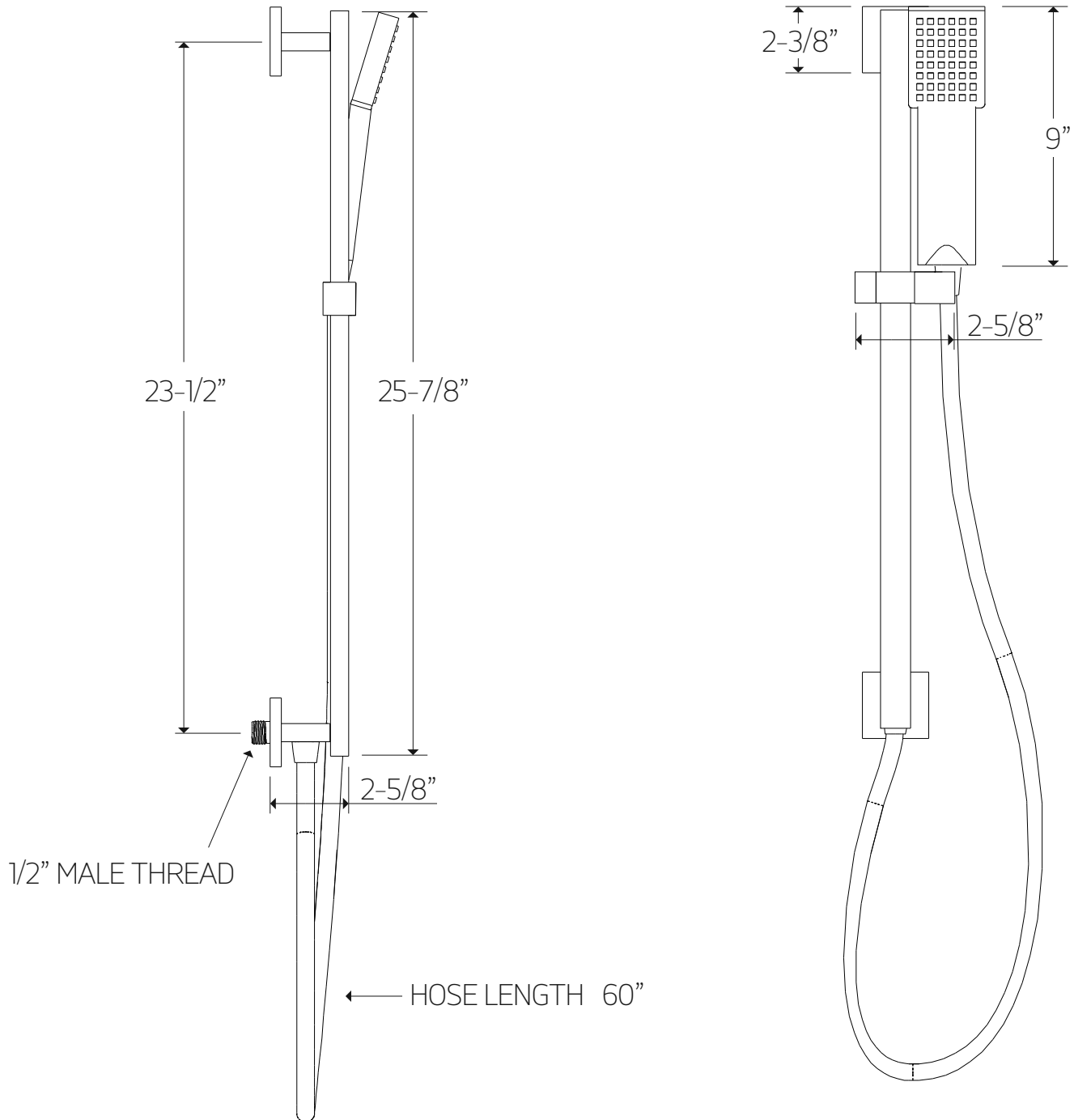
PS147

PRODUCT DIMENSIONS

premier series shower set

for trim kit





artos[®]

PS147

PRODUCT DIMENSIONS

premier series shower set

for tub filler

