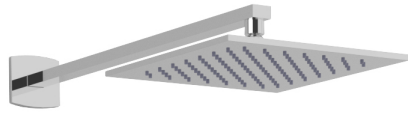


artos[®]

PS134

premier series shower set

OPERATING SPECIFICATIONS



FEATURES

Solid Brass
2-Outlets

INCLUDES

F903B-55TK
F703-13
F905-1

OPERATING PRESSURE

Minimum: 15 psi
Maximum: 75 psi
+90psi it may be necessary to install a pressure reducer

OPERATING TEMPERATURE

Maximum: 176°

FLOW CAPACITY

Shower Head: 1.8 USGPM
Body Jet: 1.8 USGPM

F901-9 APPROVAL



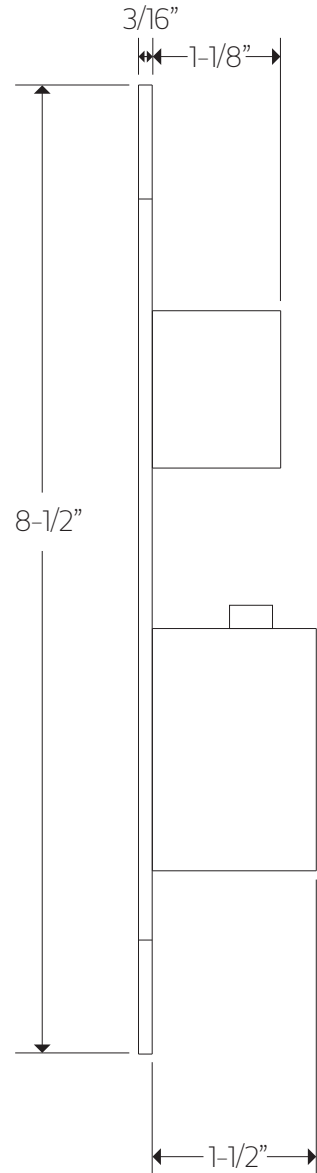
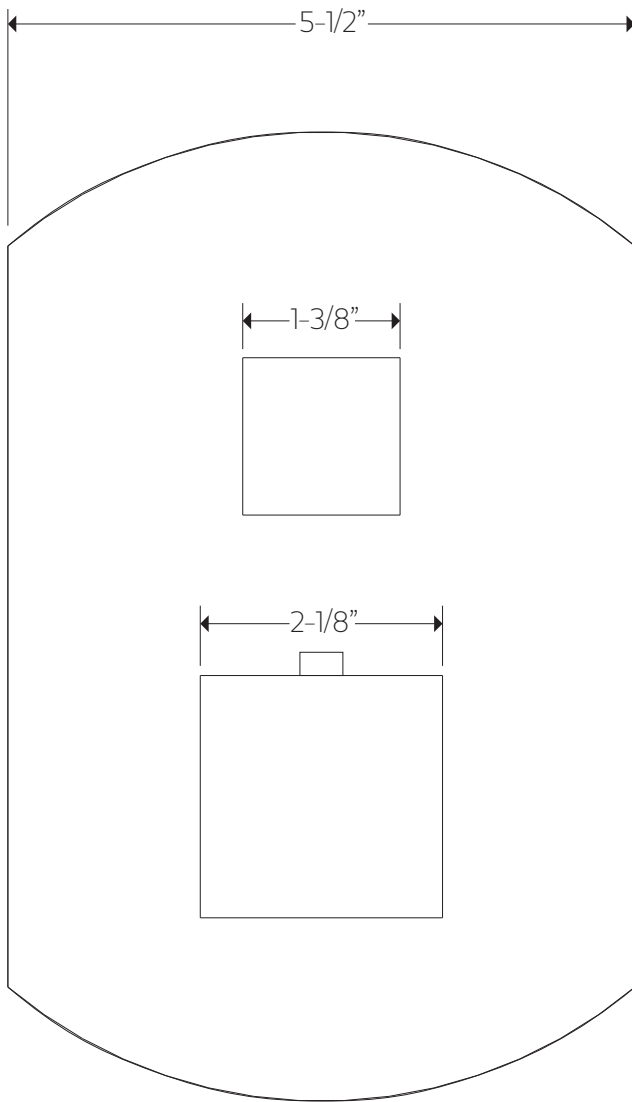
artos[®]

PS134

PRODUCT DIMENSIONS

premier series shower set

for trim kit



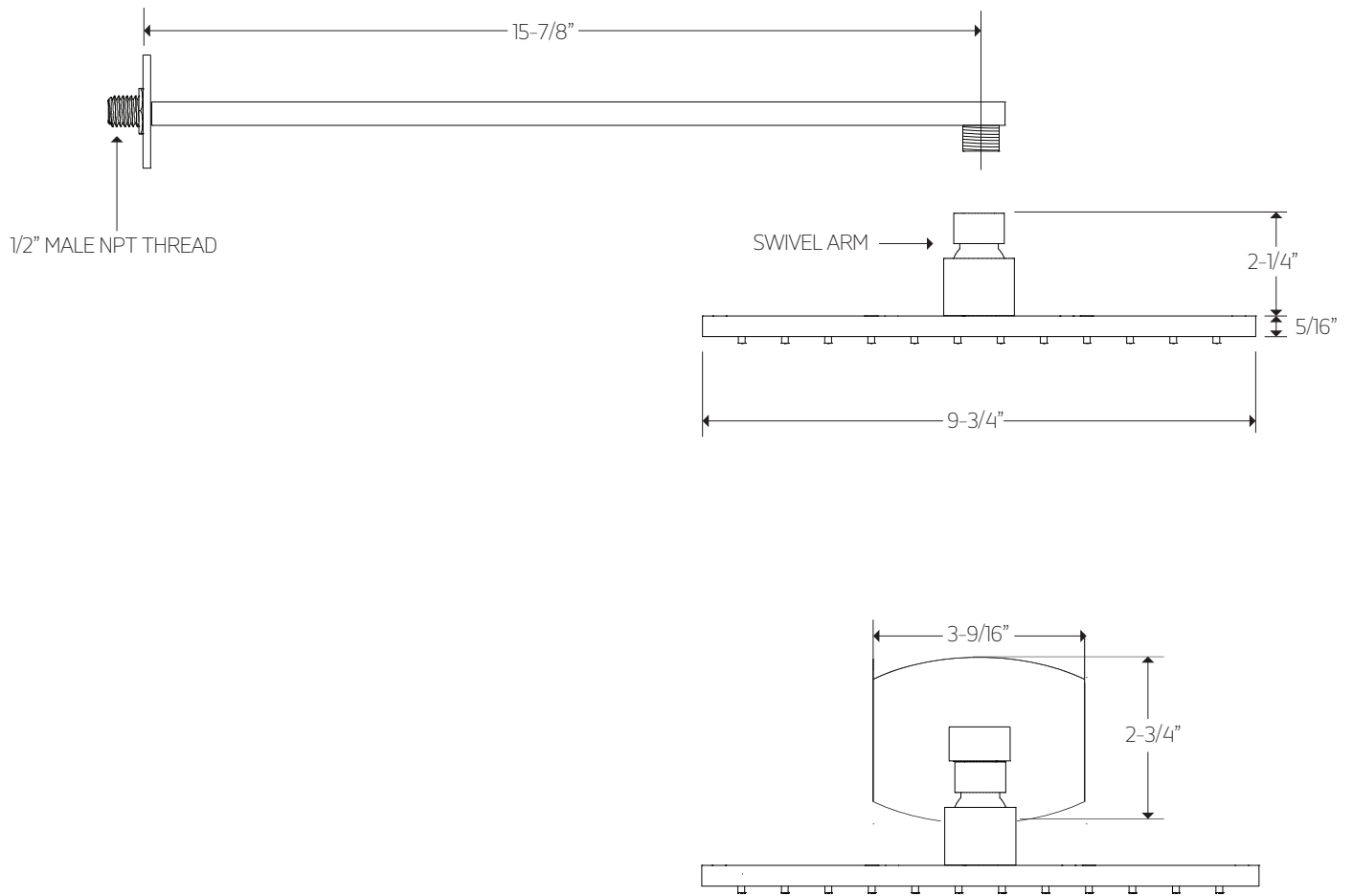
artos[®]

PS134

premier series shower set

PRODUCT DIMENSIONS

for shower head



artos

PS134

premier series shower set

PRODUCT DIMENSIONS

for body jet

