

# artos<sup>®</sup>

## PS133

premier series shower set

## OPERATING SPECIFICATIONS



### FEATURES

Solid Brass

3-Outlets

### OPERATING PRESSURE

Minimum: 15 psi

Maximum: 75 psi

Above 90psi it may be necessary to install a pressure reducer

### OPERATING TEMPERATURE

Maximum: 176°

### FLOW CAPACITY

Shower Head: 1.8 USGPM

Body Jet: 1.0 USGPM

### F901-8 & F902-14 APPROVAL



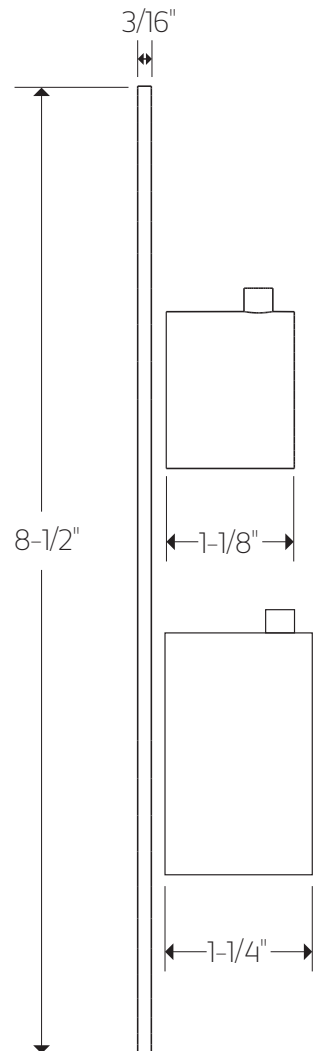
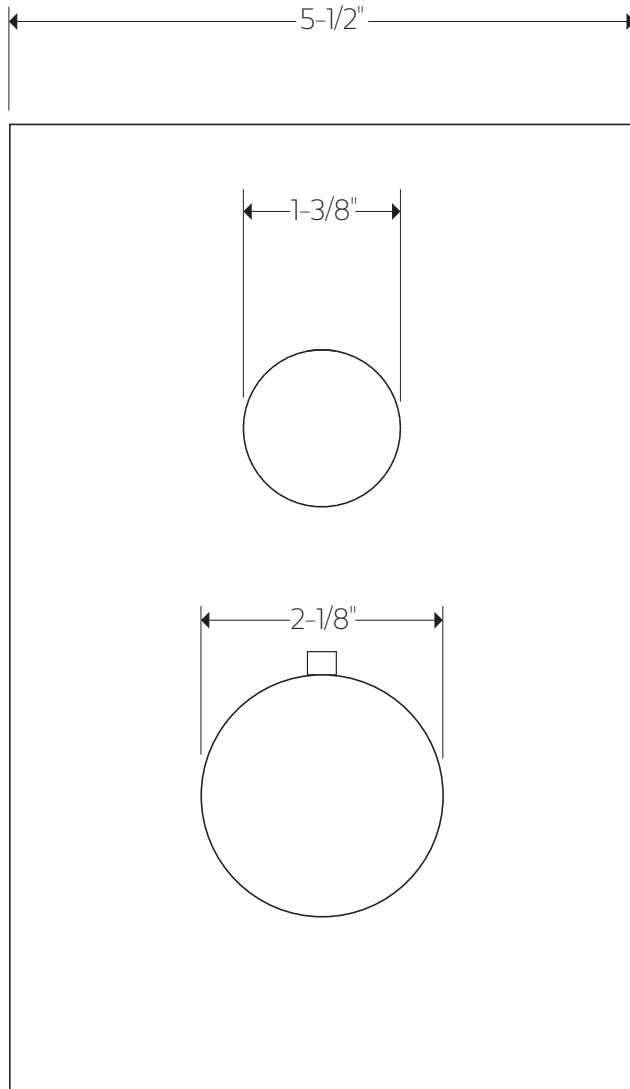
# artos<sup>®</sup>

PS133

premier series shower set

## PRODUCT DIMENSIONS

for trim kit



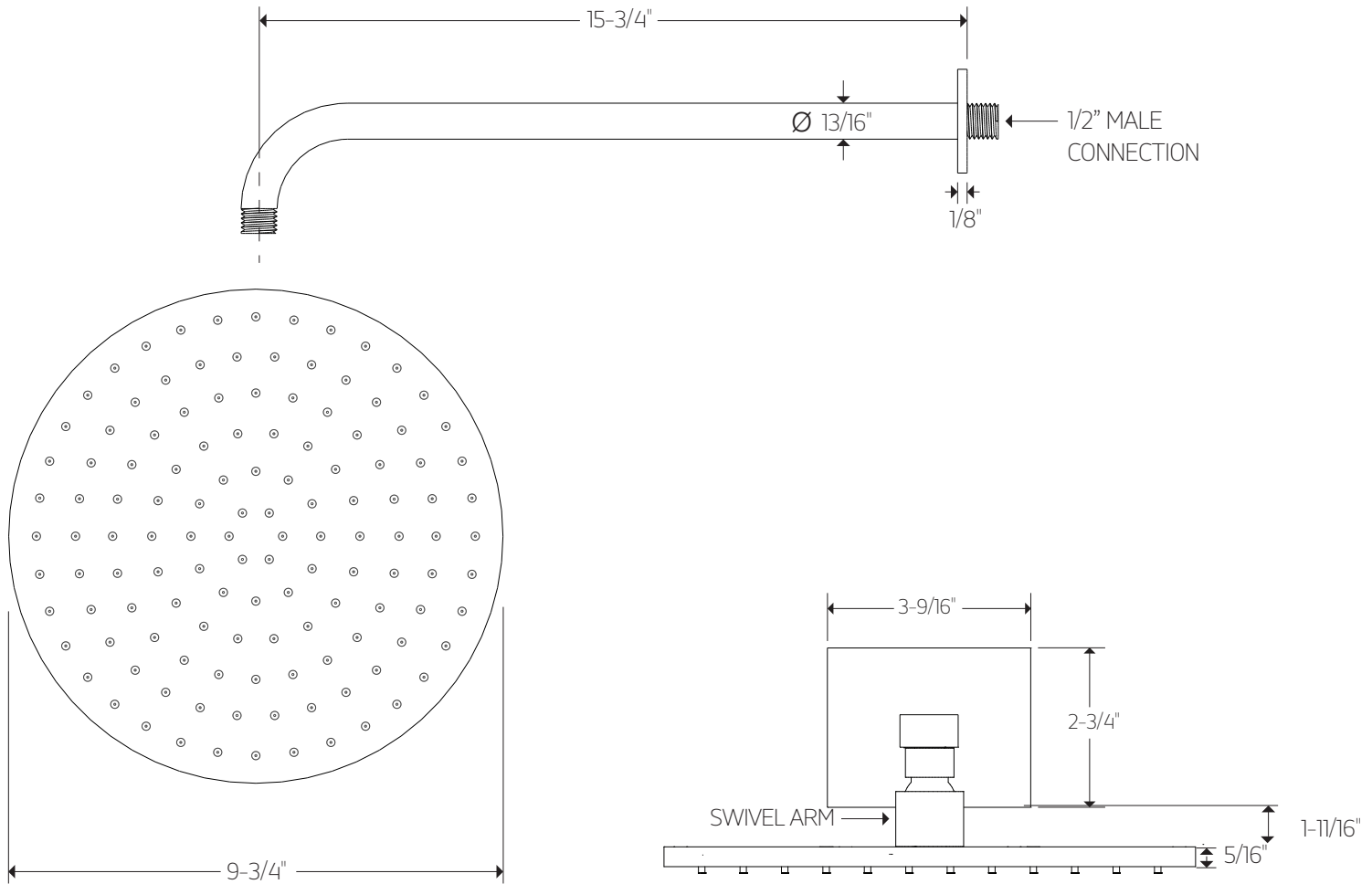
# artos<sup>®</sup>

## PS133

premier series shower set

## PRODUCT DIMENSIONS

for shower head



# artos<sup>®</sup>

## PS133

premier series shower set

### PRODUCT DIMENSIONS

for body jet

