

artos[®]

PS132

premier series shower set

OPERATING SPECIFICATIONS



FEATURES

Solid Brass
2-Outlets

INCLUDES

F903B-58TK
F907-60
F905-2 x 3

OPERATING PRESSURE

Minimum: 15 psi
Maximum: 75 psi
Above 90psi it may be necessary to install a pressure reducer

OPERATING TEMPERATURE

Maximum: 176°

FLOW CAPACITY

Shower Head: 1.8 USGPM
Body Jets: 1.8 USGPM



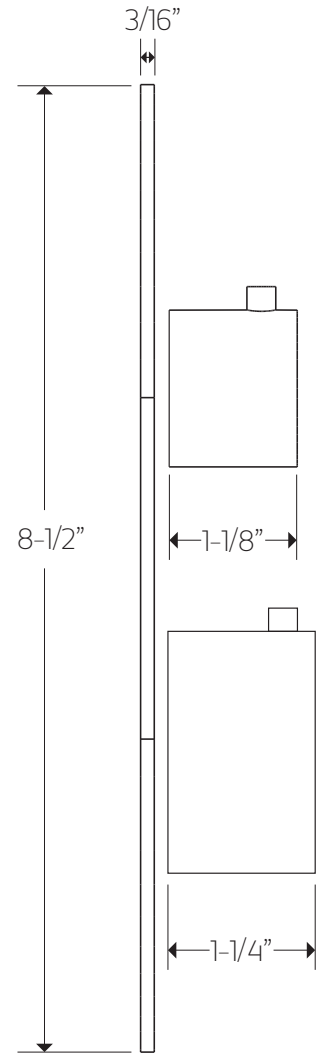
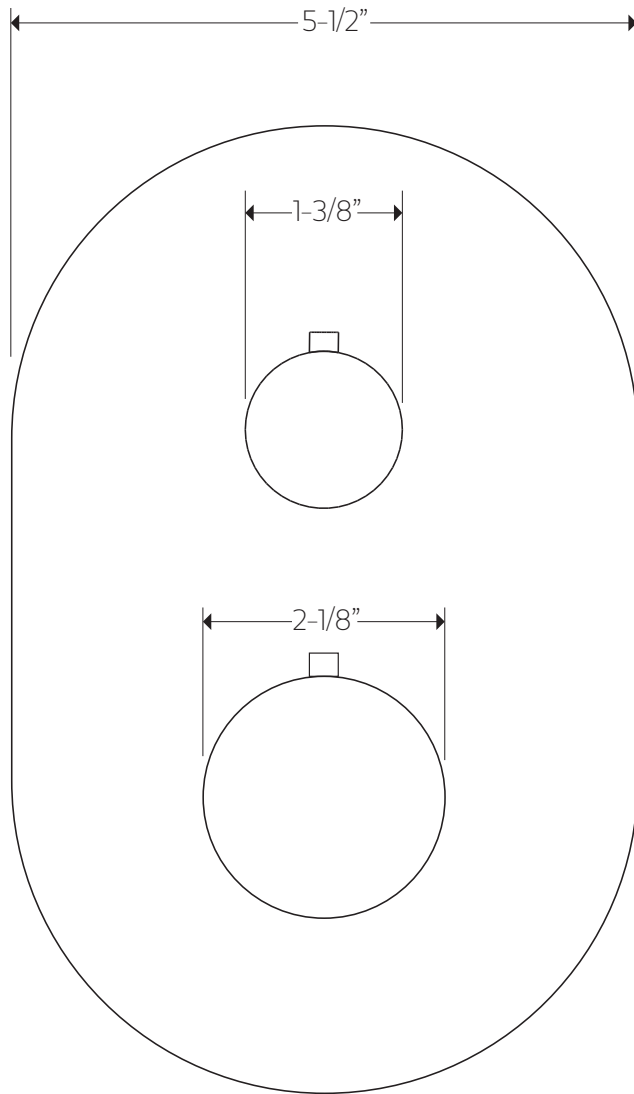
artos[®]

PS132

PRODUCT DIMENSIONS

premier series shower set

for trim kit



artos[®]

PS132

premier series shower set

PRODUCT DIMENSIONS

for shower head

