

artos[®]

PS123

OPERATING SPECIFICATIONS

premier series shower set



FEATURES

Solid Brass
3-Outlets

INCLUDES

F903B-59TK
F907-46
F907-50
F905-1

OPERATING PRESSURE

Minimum: 15 psi
Maximum: 75 psi
Above 90psi it may be necessary to install a pressure reducer

OPERATING TEMPERATURE

Maximum: 176°

FLOW CAPACITY

Hand Shower: 1.8 USGPM
Shower Head: 1.8 USGPM
Body Jet: 1.8 USGPM

F901-8 & F902-14 APPROVAL



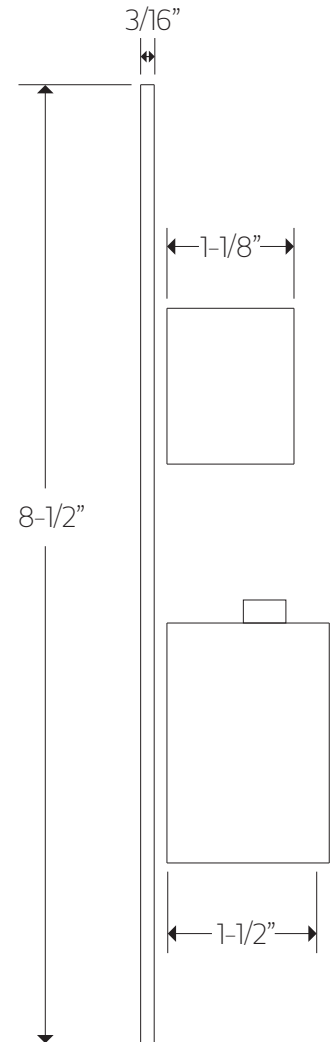
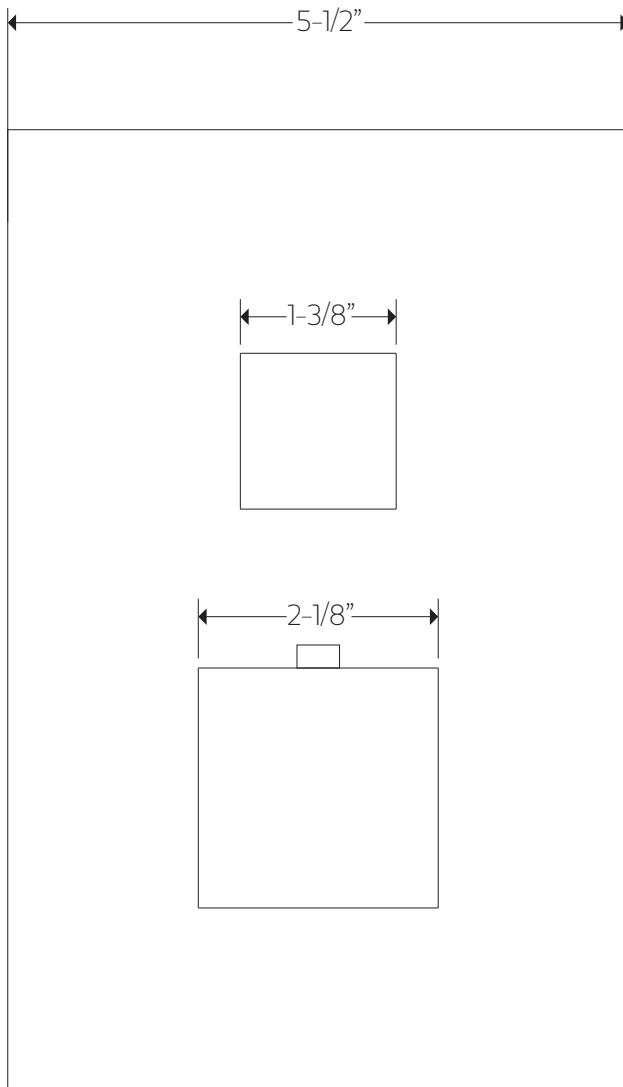
artos[®]

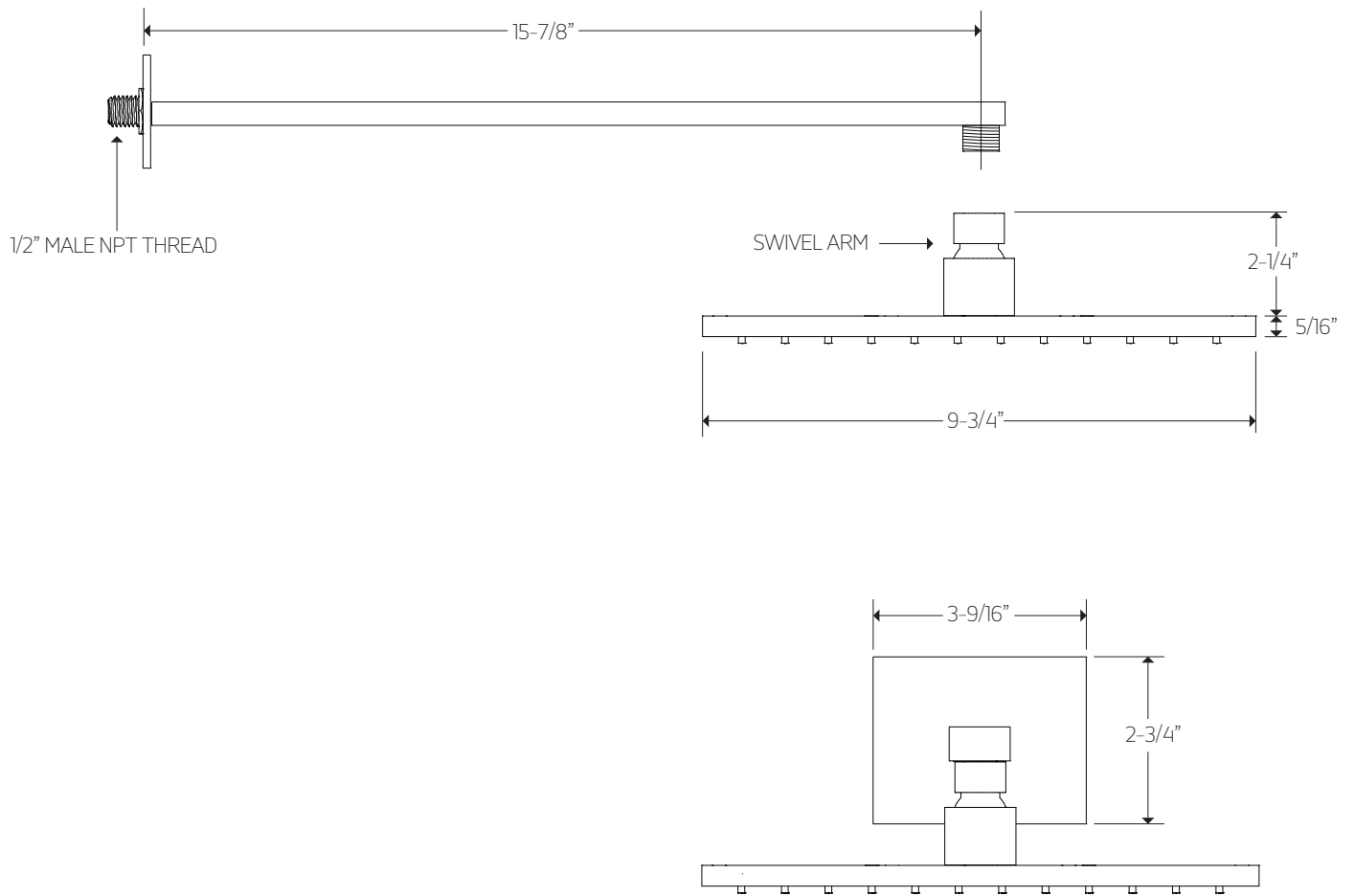
PS123

PRODUCT DIMENSIONS

premier series shower set

for trim kit





artos[®]

PS123

PRODUCT DIMENSIONS

premier series shower set

for hand shower

