

artos®

PS117

premier series shower set

OPERATING SPECIFICATIONS



FEATURES

Solid Brass
3-Outlets

INCLUDES

F903B-60TK
F907-70
F907-24



OPERATING PRESSURE

Minimum: 15 psi
Maximum: 75 psi
Above 90psi it may be necessary to install a pressure reducer

OPERATING TEMPERATURE

Maximum: 176°

FLOW CAPACITY

Hand Shower: 1.8 USGPM
Shower Head: 1.8 USGPM

F901-8 APPROVAL



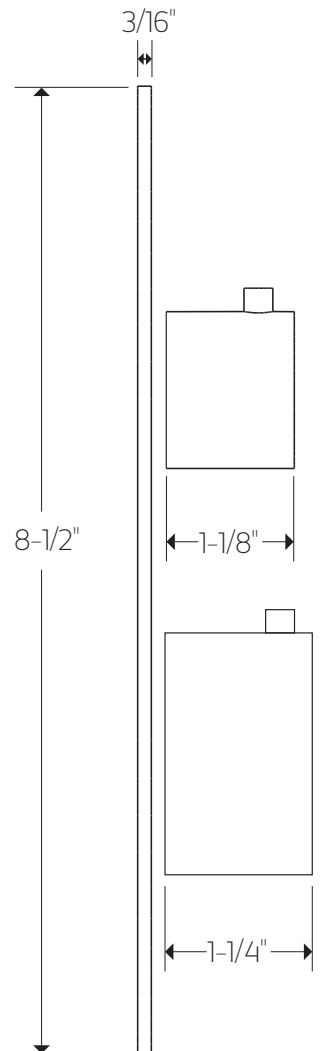
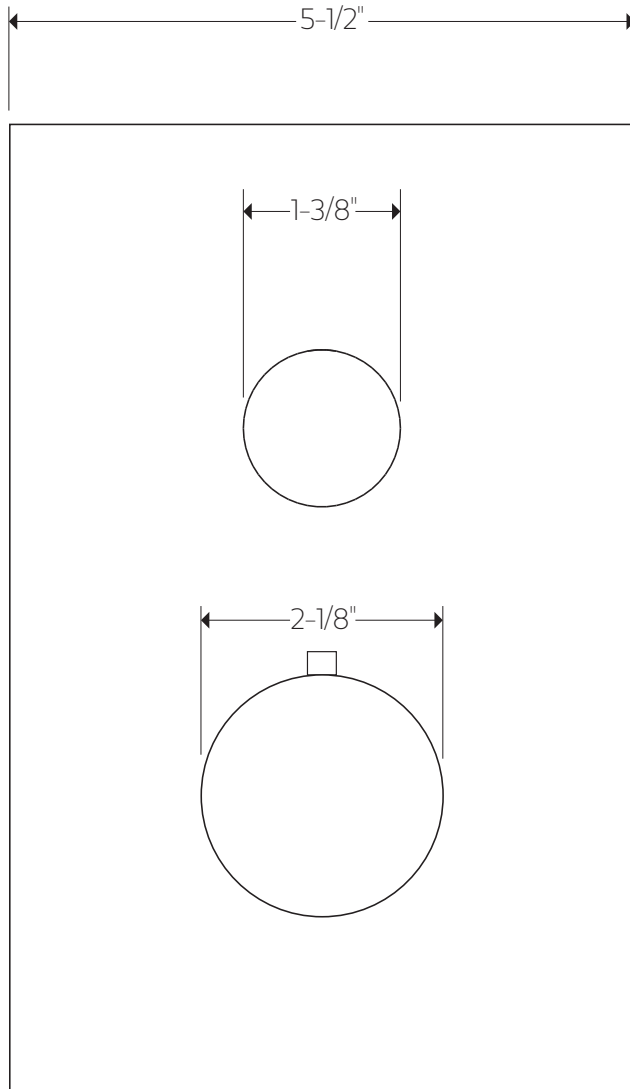
artos[®]

PS117

PRODUCT DIMENSIONS

premier series shower set

for trim kit



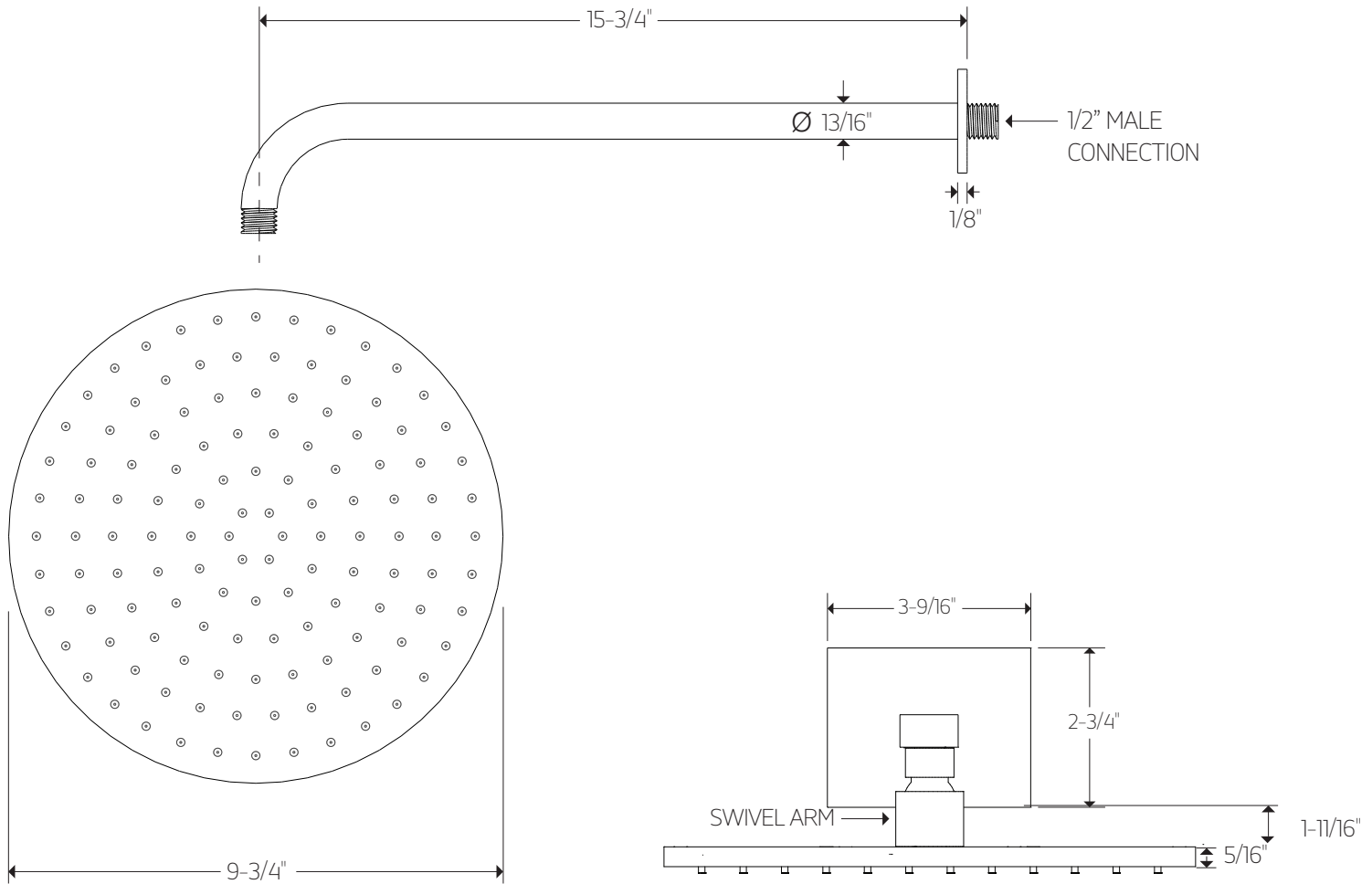
artos[®]

PS117

PRODUCT DIMENSIONS

premier series shower set

for shower head



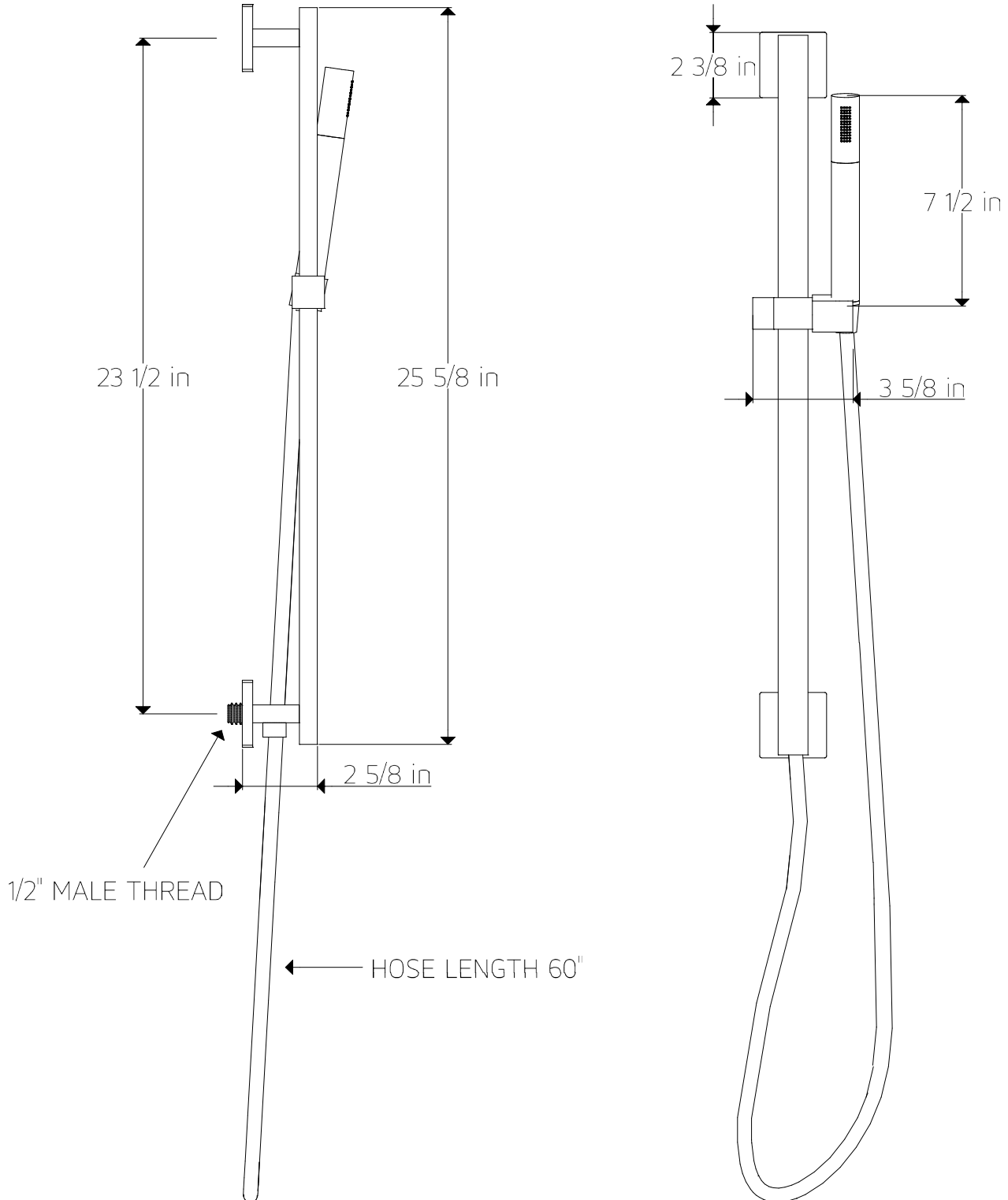
artos[®]

PS117

premier series shower kit

PRODUCT DIMENSIONS

for hand shower



artos[®]

PS117

premier series shower set

PRODUCT DIMENSIONS

for tub filler

