

artos[®]

PS114

OPERATING SPECIFICATIONS

premier series shower set



FEATURES

Solid Brass
3-Outlets

INCLUDES

F903B-59TK
F907-46
F905-1
F702-3

OPERATING PRESSURE

Minimum: 15 psi
Maximum: 75 psi
Above 90psi it may be necessary to install a pressure reducer

OPERATING TEMPERATURE

Maximum: 176°

FLOW CAPACITY

Hand Shower: 1.8 USGPM
Shower Head: 1.8 USGPM
Body Jet: 1.0 USGPM

APPROVAL



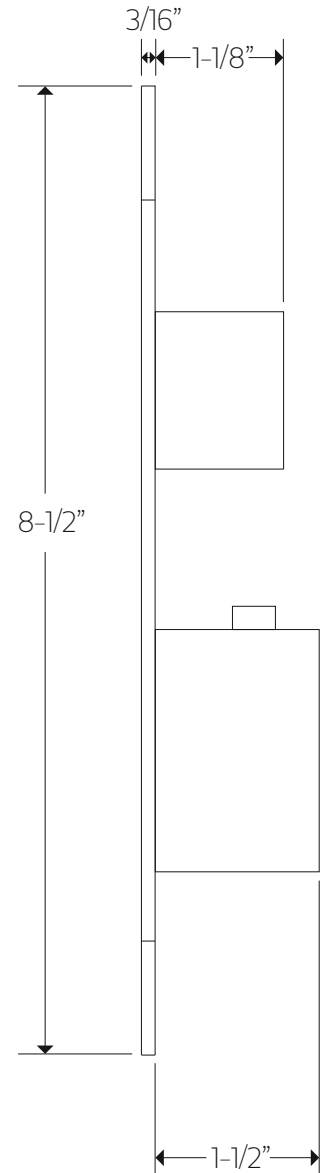
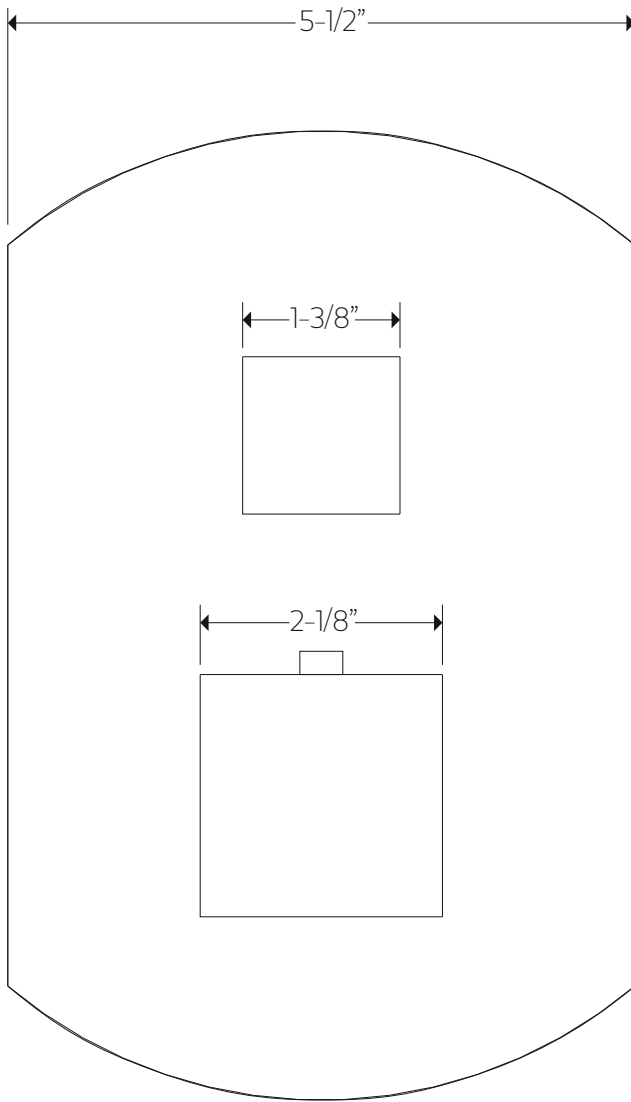
artos[®]

PS114

PRODUCT DIMENSIONS

premier series shower set

for F903B-55TK



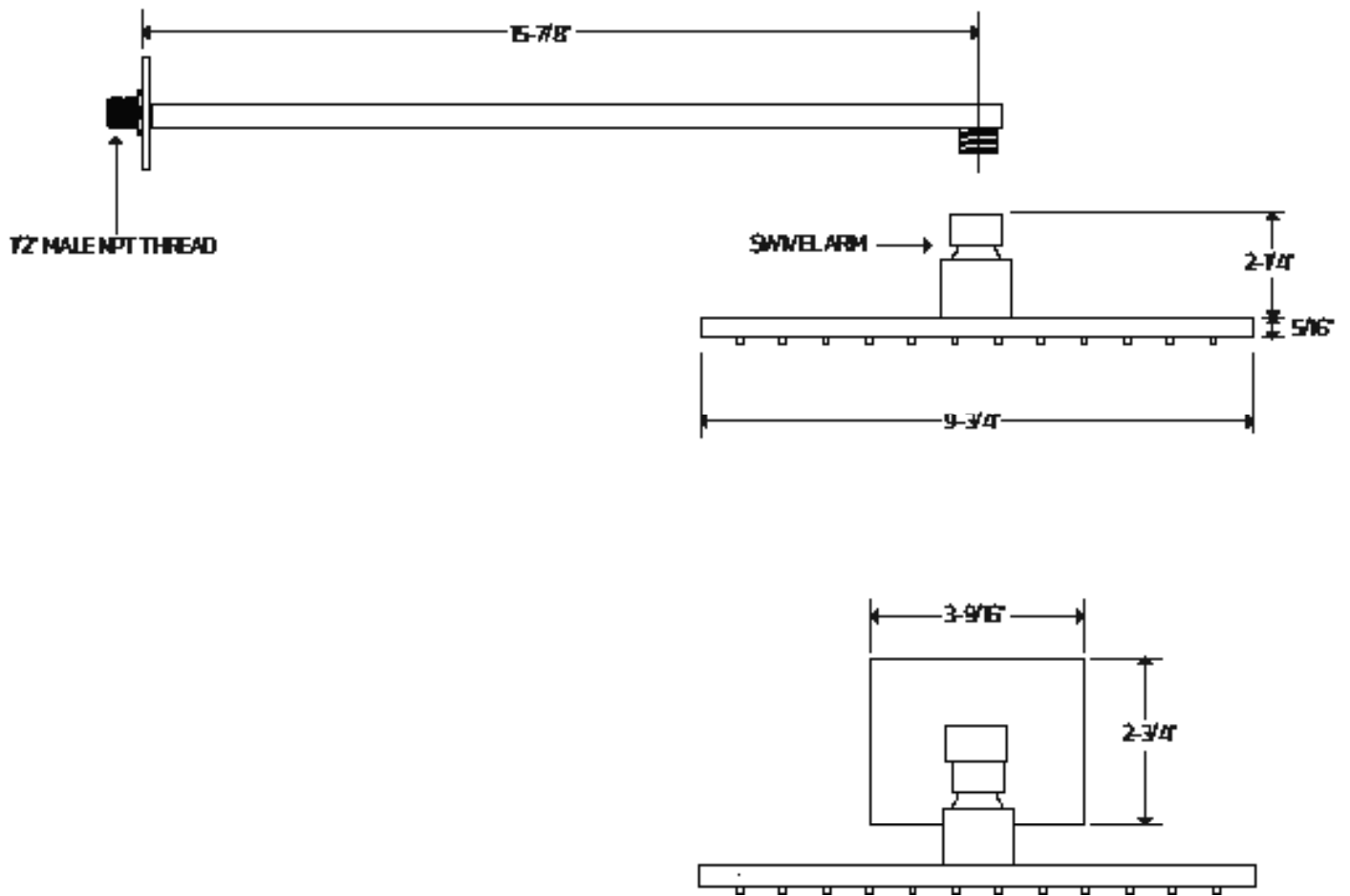
artos[®]

PS114

PRODUCT DIMENSIONS

premier series shower set

for F907-50



1/2" FEMALE
CONNECTIO
N

