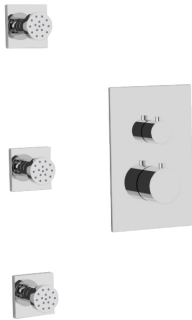


# artos<sup>®</sup>

## PS113

premier series shower set

## OPERATING SPECIFICATIONS



### FEATURES

Solid Brass  
3-Outlets

### OPERATING PRESSURE

Minimum: 15 psi  
Maximum: 75 psi  
Above 90psi it may be necessary to install a pressure reducer

### OPERATING TEMPERATURE

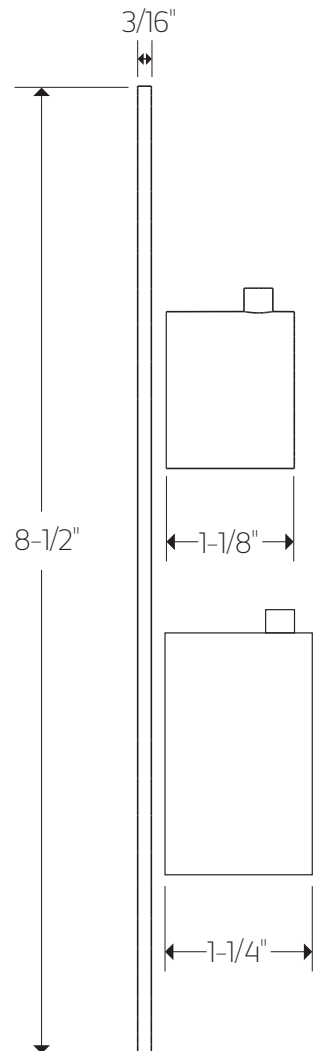
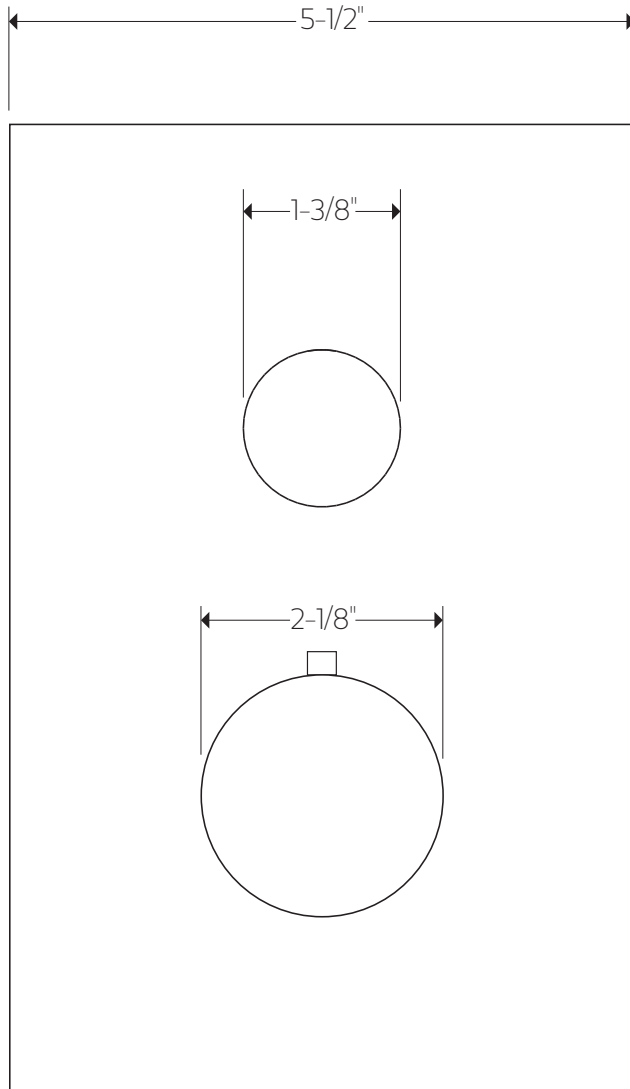
Maximum: 176°

### FLOW CAPACITY

Tub Filler: 6.1 USGPM  
Shower Head: 1.8 USGPM  
Body Jet: 1. USGPM

### F901-8 & F902-14 APPROVAL





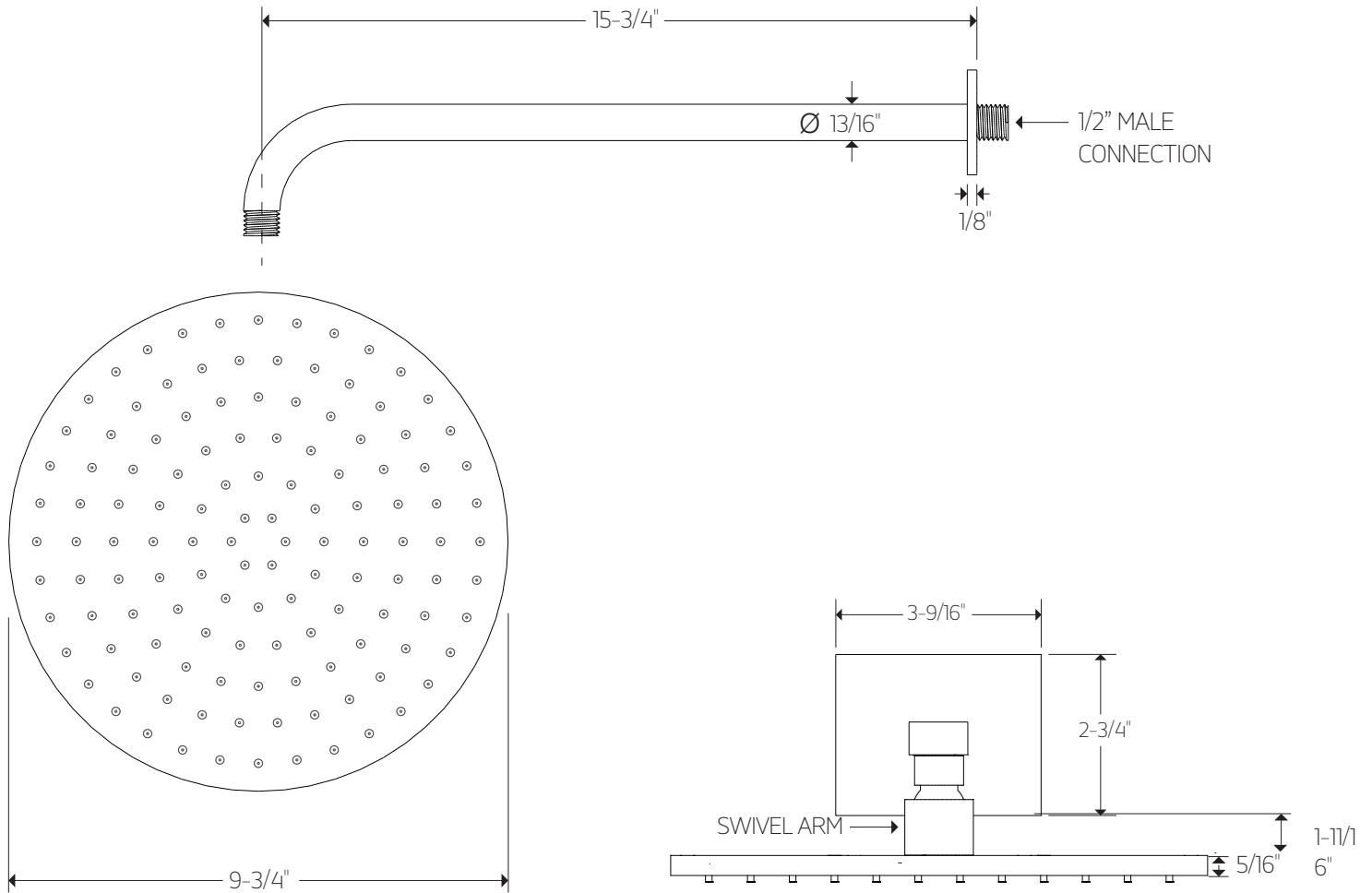
# artos<sup>®</sup>

## PS113

premier series shower set

## PRODUCT DIMENSIONS

for shower head



# artos<sup>®</sup>

PS113

premier series shower set

## PRODUCT DIMENSIONS

