

artos[®]

PS112

OPERATING SPECIFICATIONS

premier series shower set



FEATURES

Solid Brass
3-Outlets

OPERATING PRESSURE

Minimum: 15 psi
Maximum: 75 psi
Above 90psi it may be necessary to install a pressure reducer

OPERATING TEMPERATURE

Maximum: 176°

FLOW CAPACITY

Shower Head: 1.8 USGPM
Body Jets: 1.8 USGPM
Tub Filler: 6 USGPM



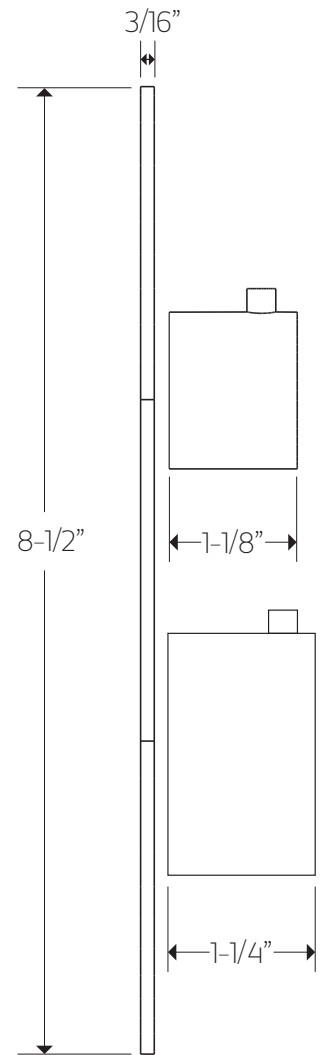
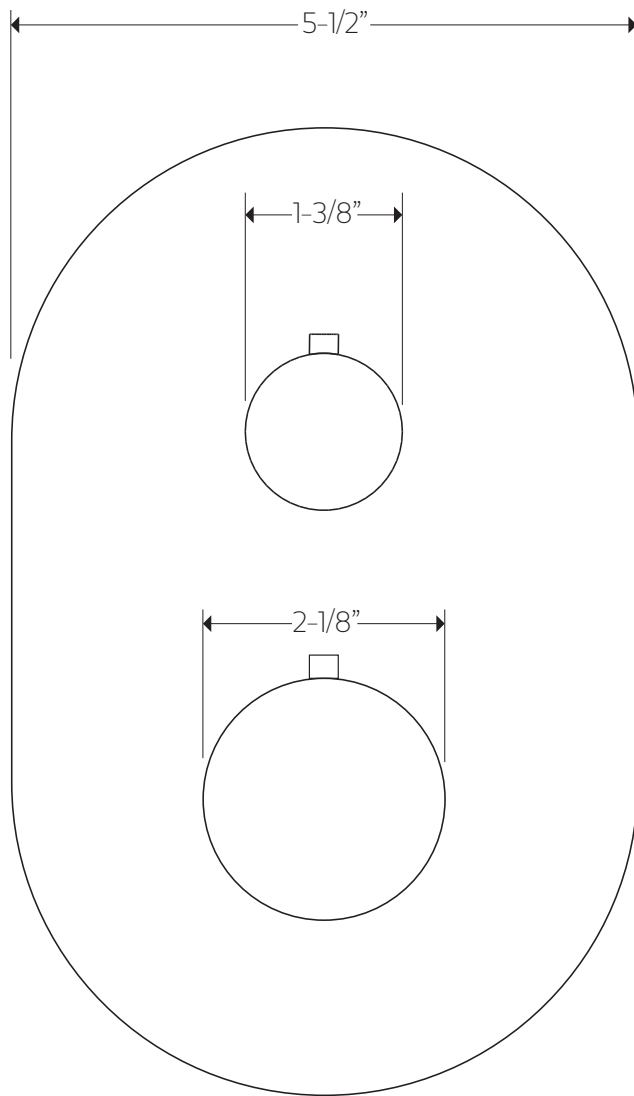
artos[®]

PS112

premier series shower set

PRODUCT DIMENSIONS

for trim kit



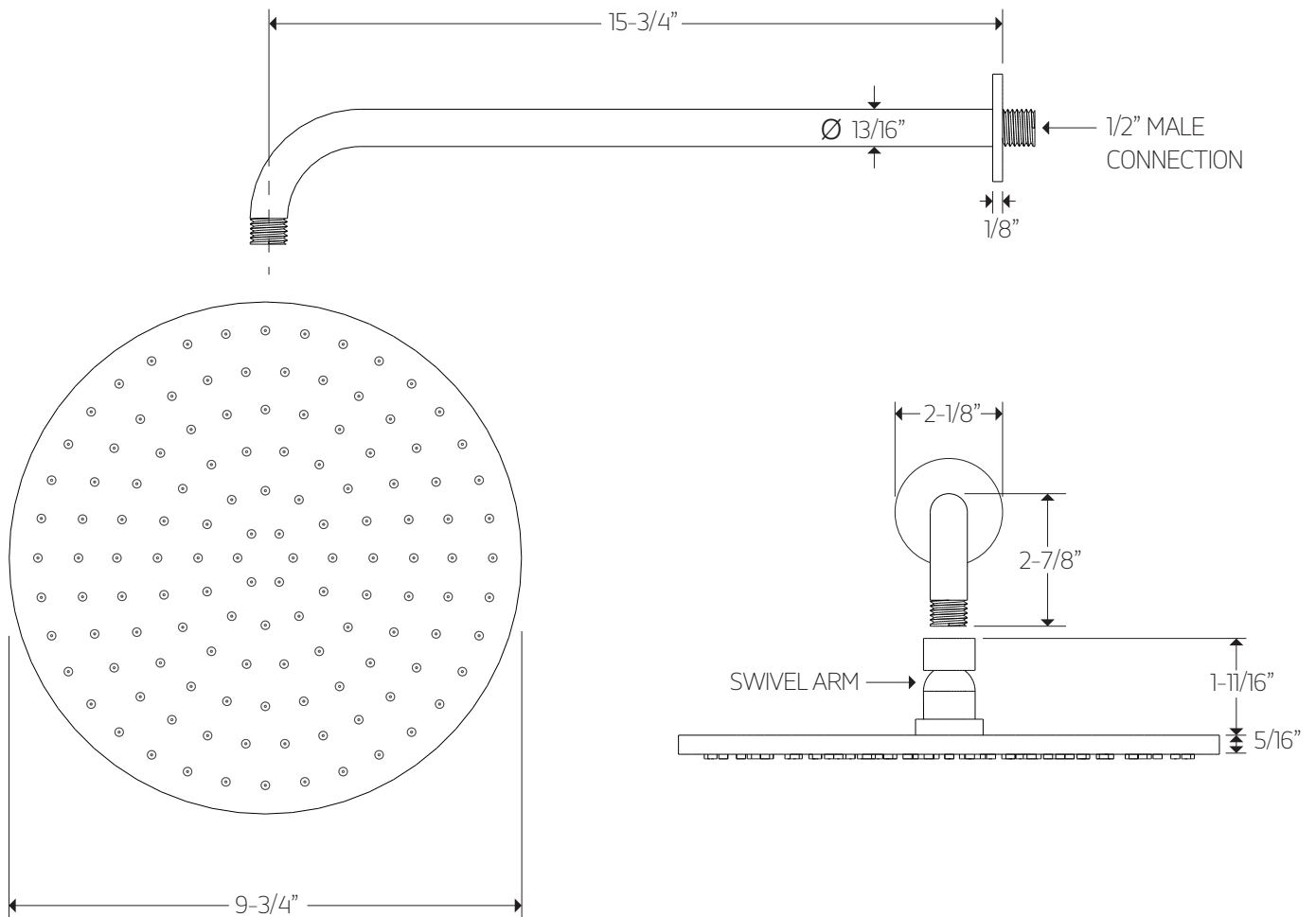
artos[®]

PS112

PRODUCT DIMENSIONS

premier series shower set

for shower head



artos[®]

PS112

PRODUCT DIMENSIONS

premier series shower set

for tub filler

