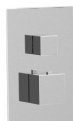
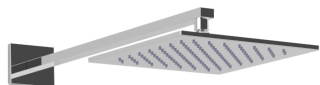


artos[®]

PS111

premier series shower set

OPERATING SPECIFICATIONS



FEATURES

Solid Brass
3-Outlets

INCLUDES

F903B-59TK
F402-10
F907-50
F905-1

OPERATING PRESSURE

Minimum: 15 psi
Maximum: 75 psi
Above 90psi it may be necessary to install a pressure reducer

OPERATING TEMPERATURE

Maximum: 176°

FLOW CAPACITY

Tub Filler: 6.1 USGPM
Shower Head: 1.8 USGPM
Body Jet: 1.0 USGPM

APPROVAL



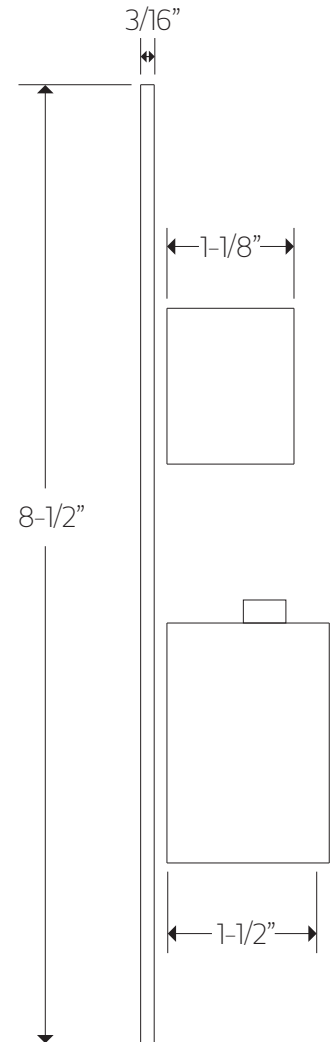
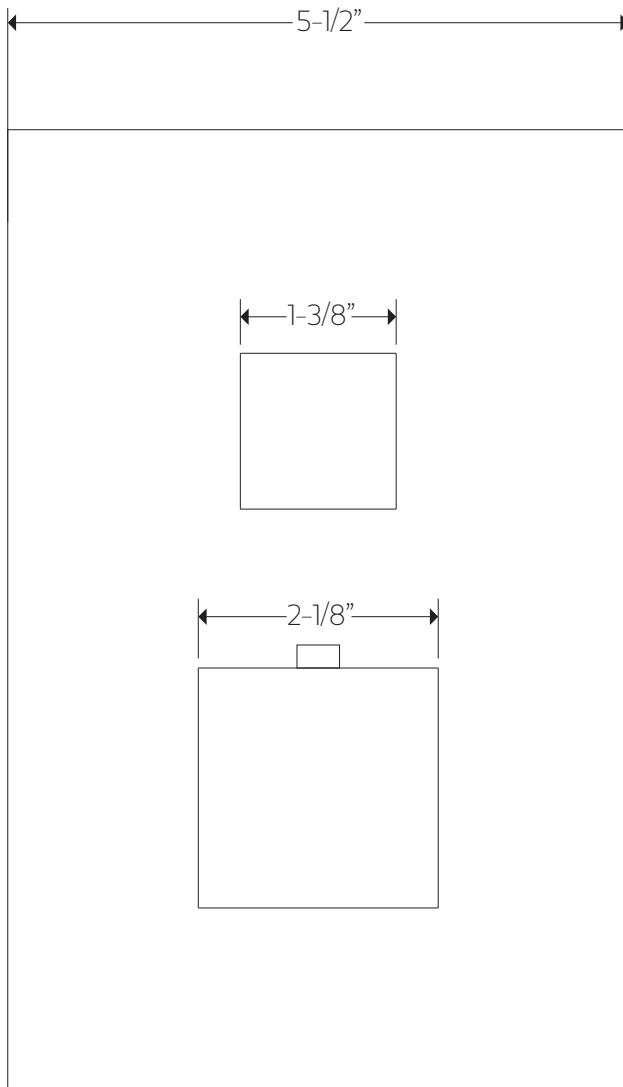
artos[®]

PS111

PRODUCT DIMENSIONS

premier series shower set

for trim kit



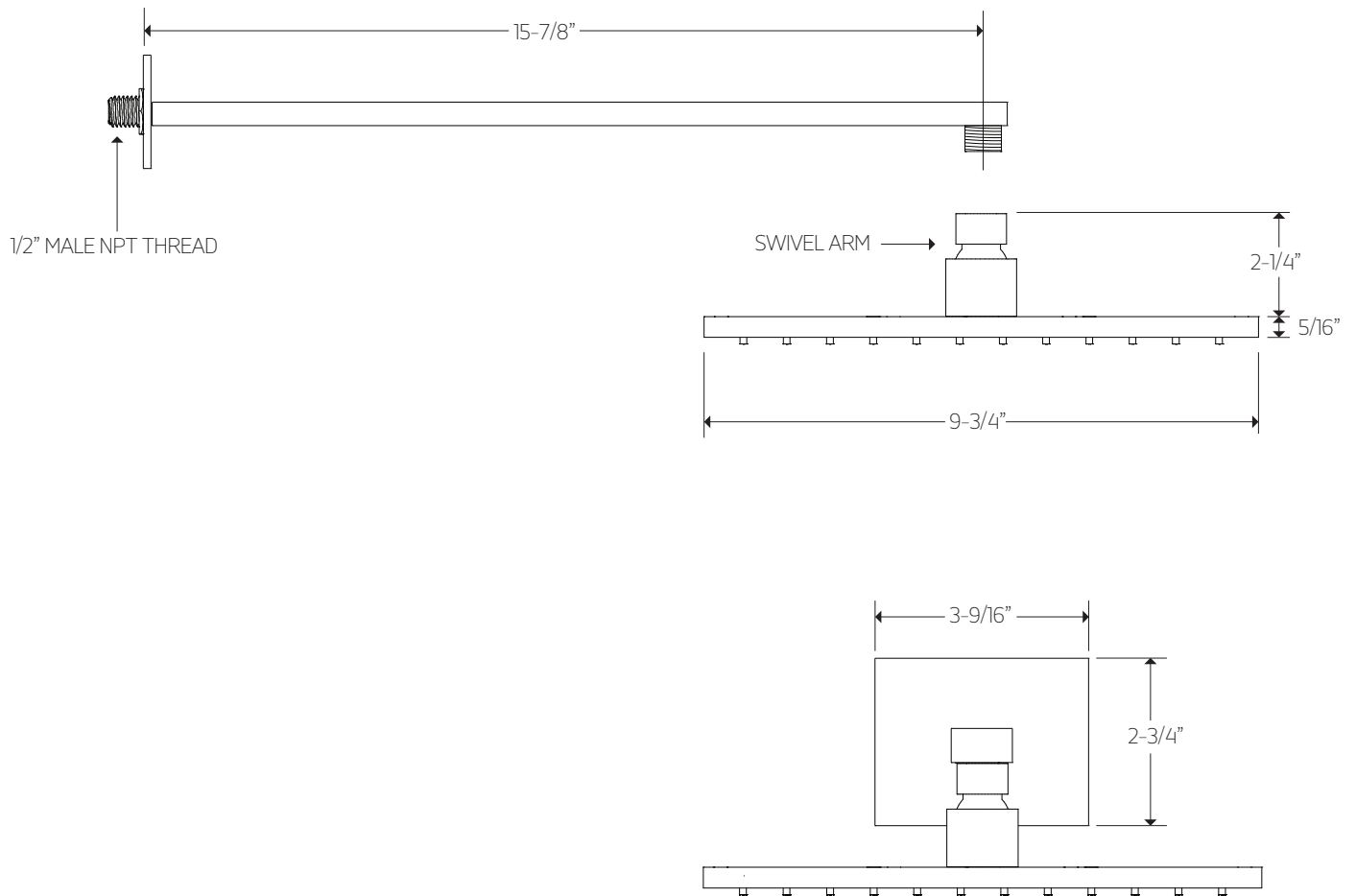
artos[®]

PS111

premier series shower set

PRODUCT DIMENSIONS

for shower head



artos[®]

PS111

PRODUCT DIMENSIONS

premier series shower set

for tub filler

