

artos[®]

PS109

OPERATING SPECIFICATIONS

premier series shower set



FEATURES

Solid Brass
3-Outlets

OPERATING PRESSURE

Minimum: 15 psi
Maximum: 75 psi
Above 90psi it may be necessary to install a pressure reducer

OPERATING TEMPERATURE

Maximum: 176°

FLOW CAPACITY

Hand Shower: 1.8 USGPM
Shower Heads: 1.8 USGPM

F901-8 APPROVAL



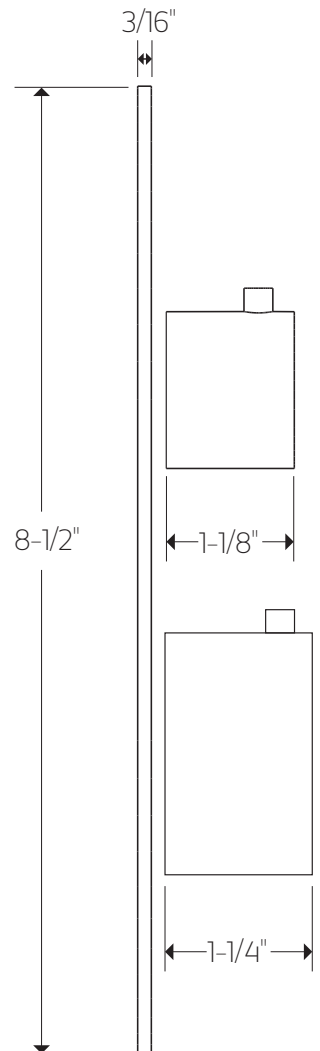
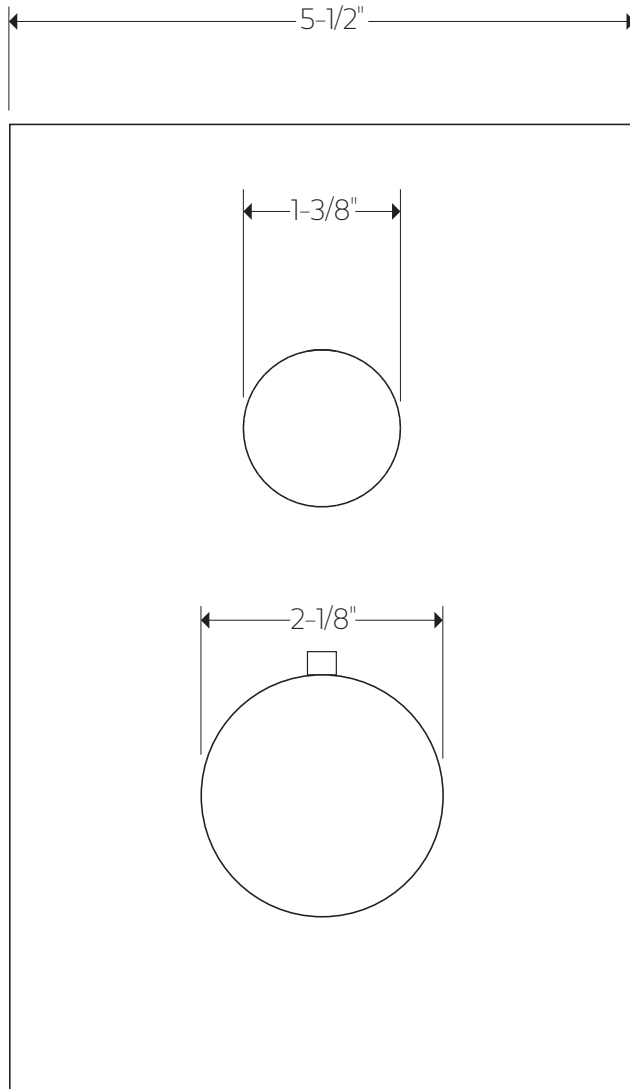
artos[®]

PS109

premier series shower set

PRODUCT DIMENSIONS

for trim kit



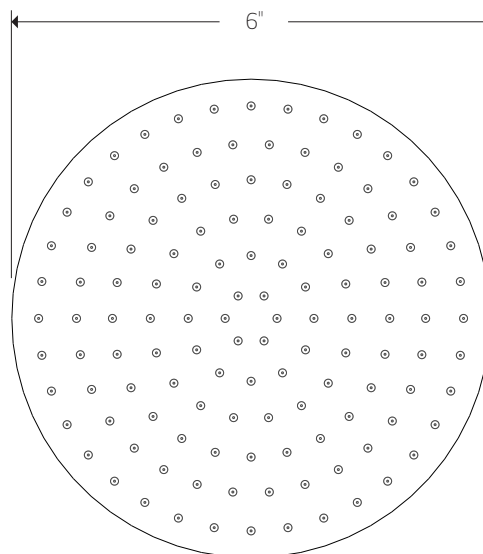
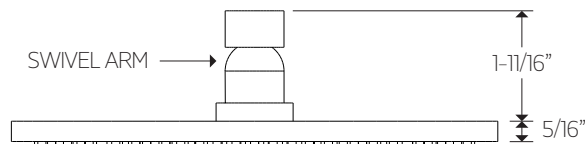
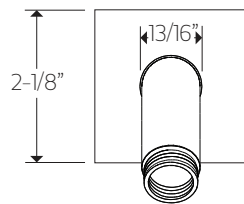
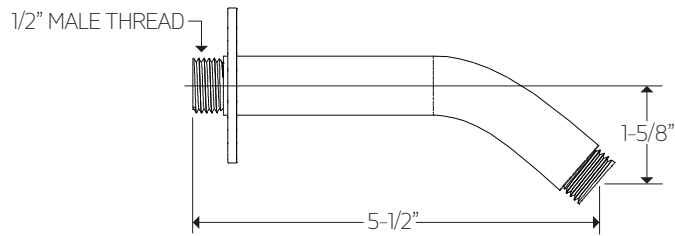
artos[®]

PS109

premier series shower set

PRODUCT DIMENSIONS

for wall mount shower head



artos[®]

PS109

PRODUCT DIMENSIONS

premier series shower set

for ceiling mount shower head

