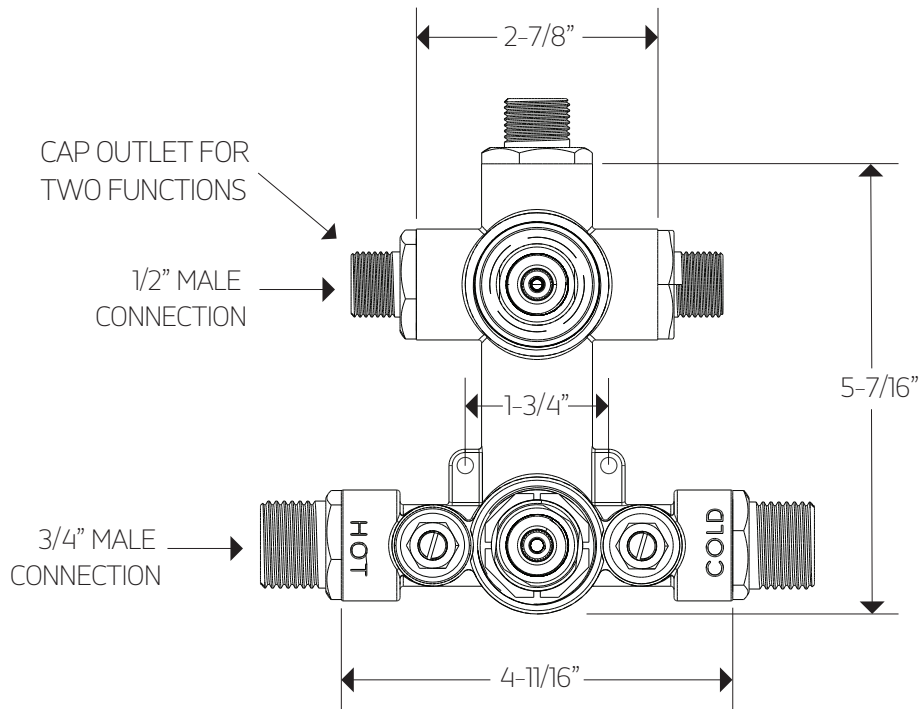
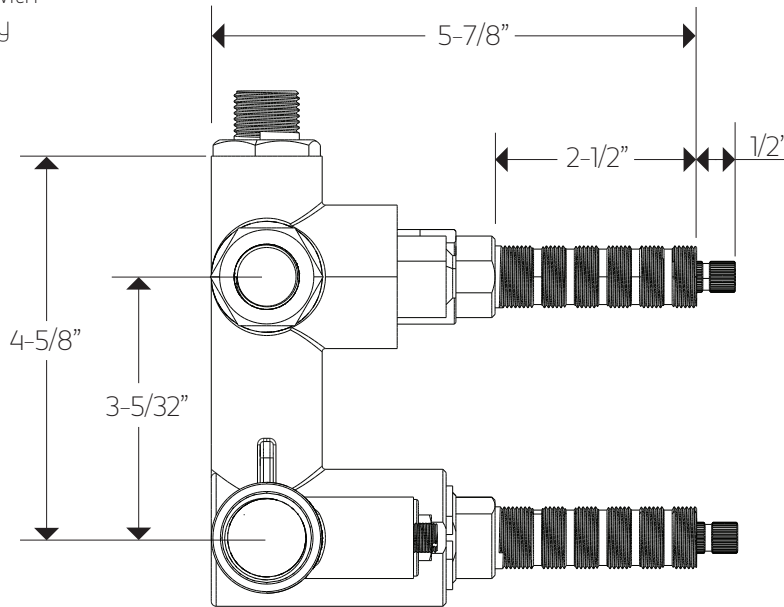




## F943-V0

## TECHNICAL DATA SHEET

3/4" thermostatic mixer with  
3-way diverter, valve only

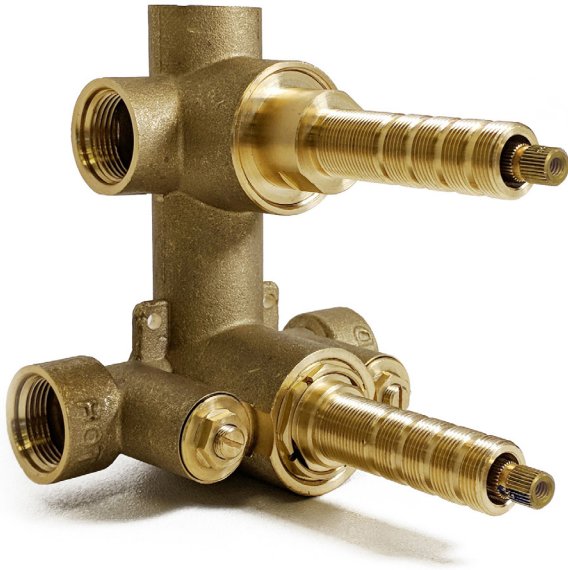


# artos<sup>®</sup>

## F943-V0

## OPERATING SPECIFICATIONS

3/4" thermostatic mixer with  
3-way diverter, valve only



### FEATURES

Solid Brass  
2 or 3 functions + OFF positions  
Shared diverter between functions  
Available 1/2" and 3/4" adapters included

### MIXED WATER TEMPERATURE

Maximum: 120°F

### HOT WATER SUPPLY TEMPERATURE

Maximum: 180°F

Minimum: 50°F

Advisable: 150°F- 160°F

Minimum difference between hot mixed temperature 50°F

### OPERATING PRESSURE

Maximum: 125psi

Minimum: 20psi

Recommended: 30psi- 95psi

Operating pressures (on hot and cold lines) should be kept as balanced as possible, in order to assure the maximum efficiency.

### FLOW RATE

8.0 USGPM

### APPROVALS

