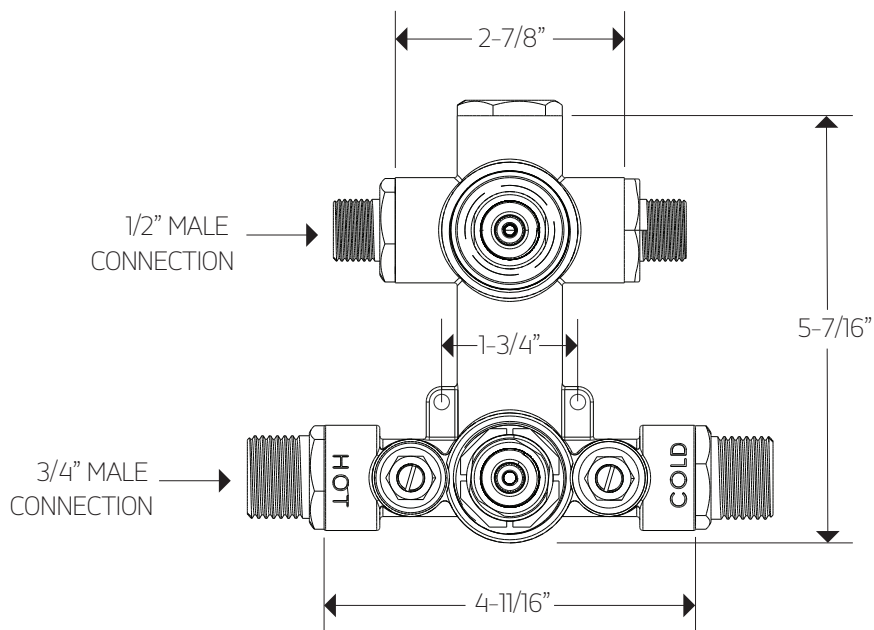
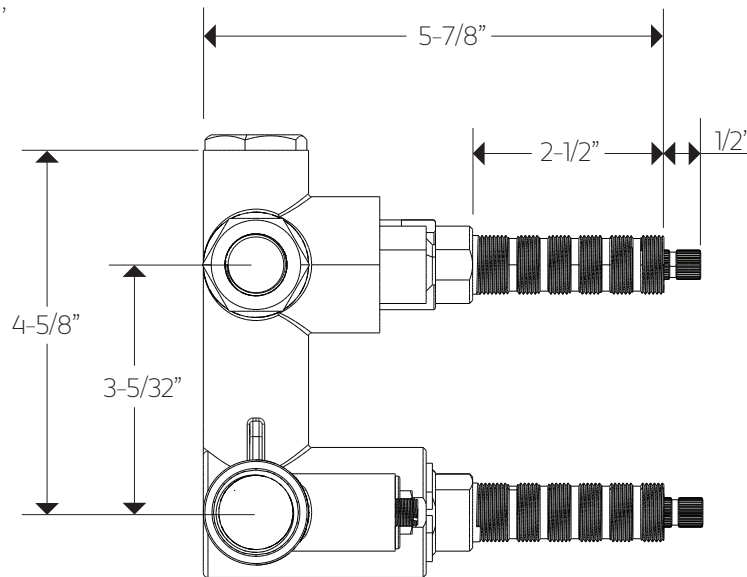




F942-V0

TECHNICAL DATA SHEET

3/4" thermostatic mixer with
2-way non-shared diverter,
valve only

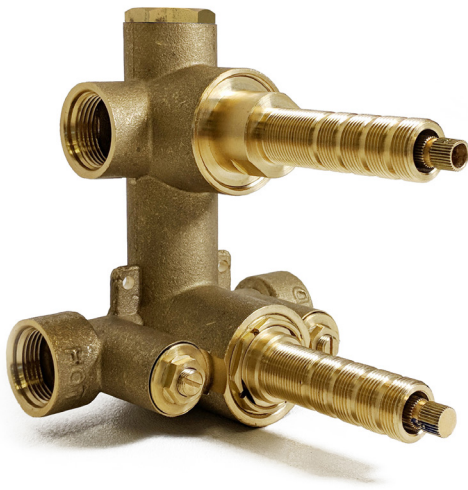


artos[®]

F942-V0

OPERATING SPECIFICATIONS

3/4" thermostatic mixer with
2-way non-shared diverter,
valve only



FEATURES

Solid Brass
2 functions
Non-Shared diverter
Available 1/2" and 3/4" adapters included

MIXED WATER TEMPERATURE

Maximum: 120°F

HOT WATER SUPPLY TEMPERATURE

Maximum: 180°F

Minimum: 50°F

Advisable: 150°F- 160°F

Minimum difference between hot mixed temperature 50°F

OPERATING PRESSURE

Maximum: 125psi

Minimum: 20psi

Recommended: 30psi- 95psi

Operating pressures (on hot and cold lines) should be kept as balanced as possible, in order to assure the maximum efficiency.

FLOW RATE

8.0 USGPM

APPROVALS

