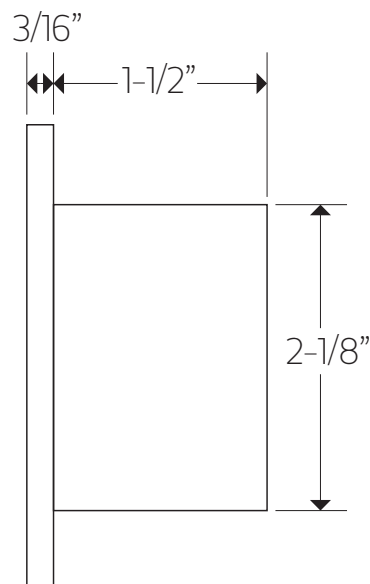
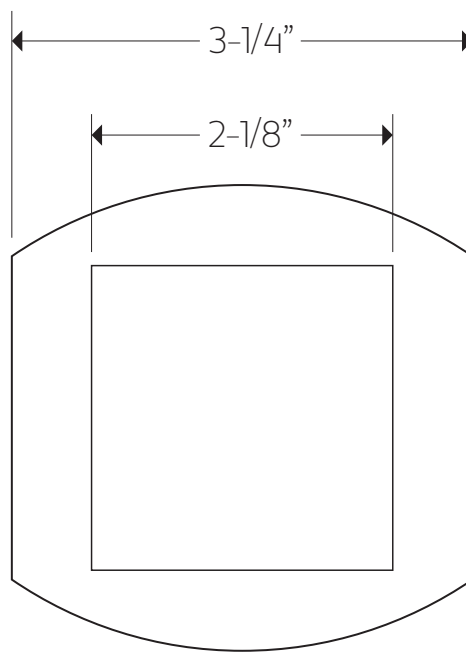


F906A-13TK

TECHNICAL DATA SHEET

volume control trim kit only
squ+safire



artos

F906A-13TK

volume control trim kit only
squ+safire

OPERATING SPECIFICATIONS

for associated valve | F906A-V0 or F906A34-V0



OPERATING PRESSURE

Minimum: 10 psi
Maximum: 125 psi

FLOW CAPACITY

(F906A-V0) 5.6USGPM@60 psi
or
(F906A34-V0) 7.1USGPM@60 psi

INLET/OUTLET

(F906A-V0) 1/2" Female NPT
or
(F906A34-V0) 3/4" Female NPT