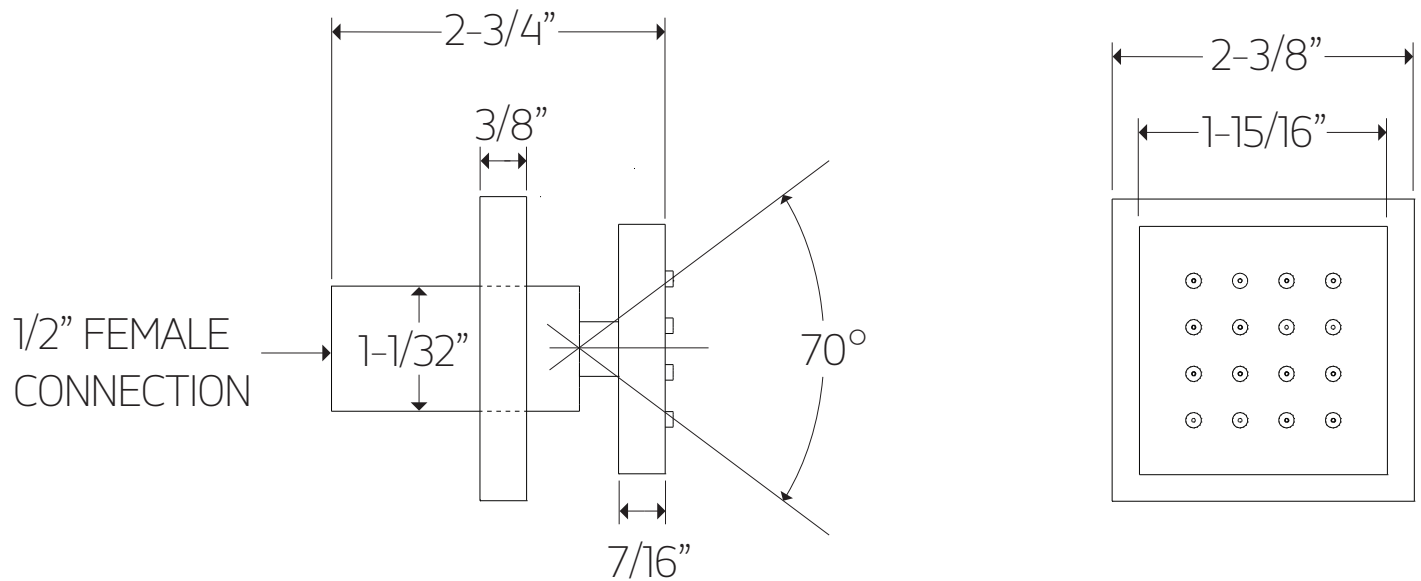


F905-1

TECHNICAL DATA SHEET

body jet squ



artos

F905-1

body jet squ

OPERATING SPECIFICATIONS



FEATURES

Easy Clean Nozzles
70 Degree Rotation

OPERATING PRESSURE

Minimum: 15 psi
Maximum: 75 psi
Above 90psi it may be necessary
to install a pressure reducer

OPERATING TEMPERATURE

Maximum: 176°

FLOW RATE

2.0 USGPM

INLET/OUTLET

1/2" Female

REQUIREMENTS

This unit requires a control