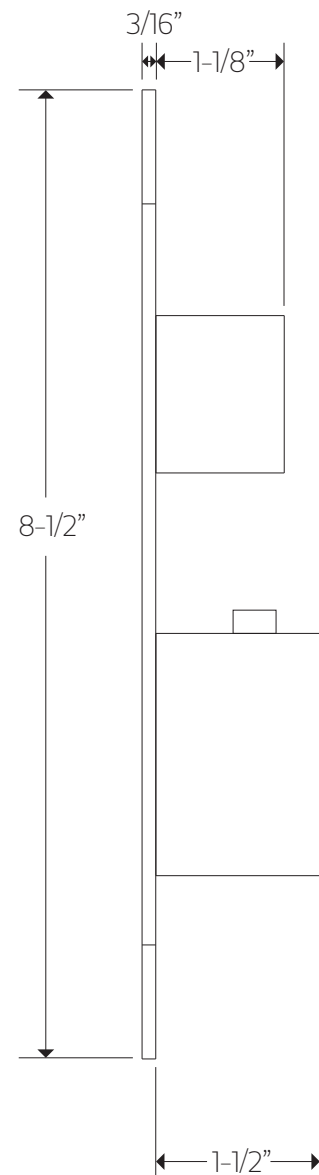
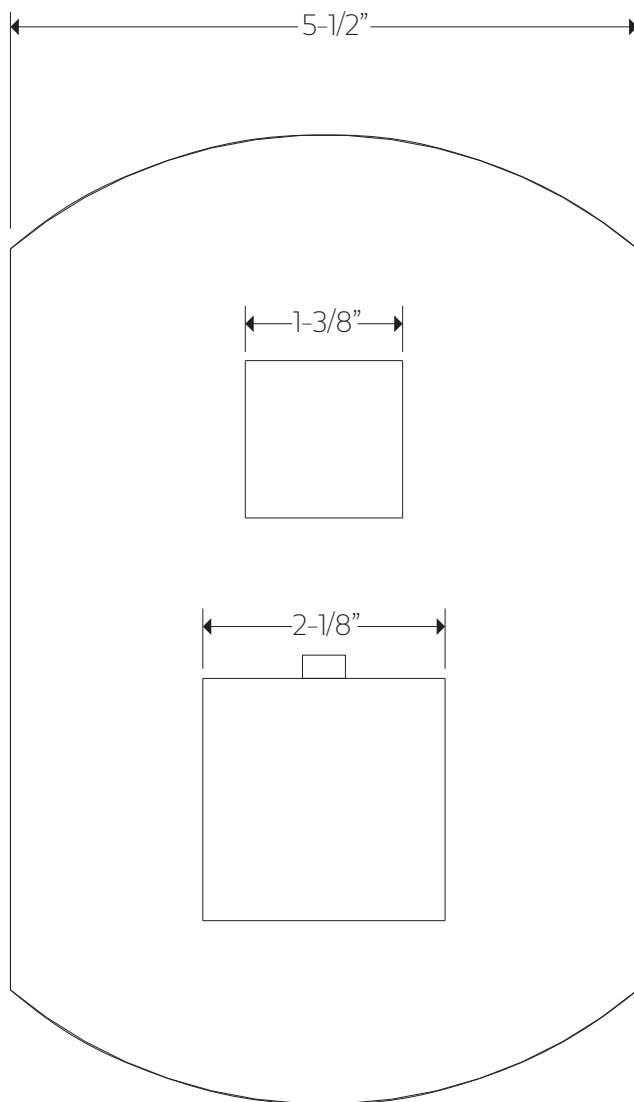




## F903B-55TK

## TECHNICAL DATA SHEET

thermostatic with diverter,  
trim kit only safire



# artos<sup>®</sup>

## F903B-55TK

thermostatic with diverter,  
trim kit only safire

## OPERATING SPECIFICATIONS

for associated valve | F943-V0



### FEATURES

Solid Brass

### MIXED WATER TEMPERATURE

Maximum: 120°F

### HOT WATER SUPPLY TEMPERATURE

Maximum: 180°F

Minimum: 50°F

Advisable: 150°F- 160°F

Minimum difference between hot mixed temperature 50°F

### OPERATING PRESSURE

Maximum: 125psi

Minimum: 20psi

Recommended: 30psi- 95psi

Operating pressures (on hot and cold lines) should be kept as balanced as possible, in order to assure the maximum efficiency.