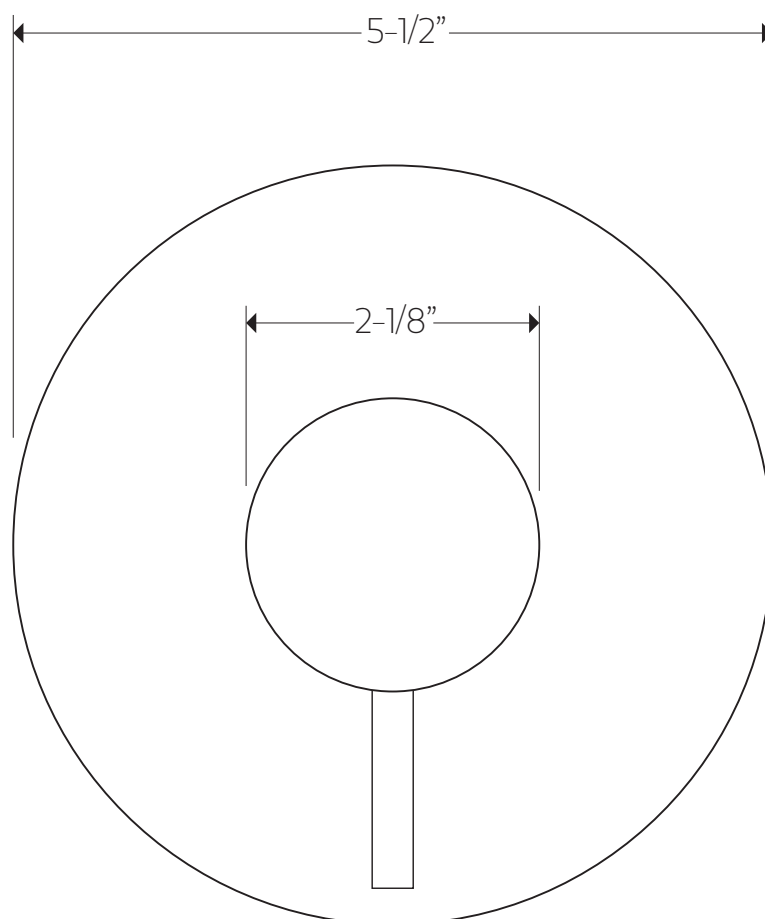
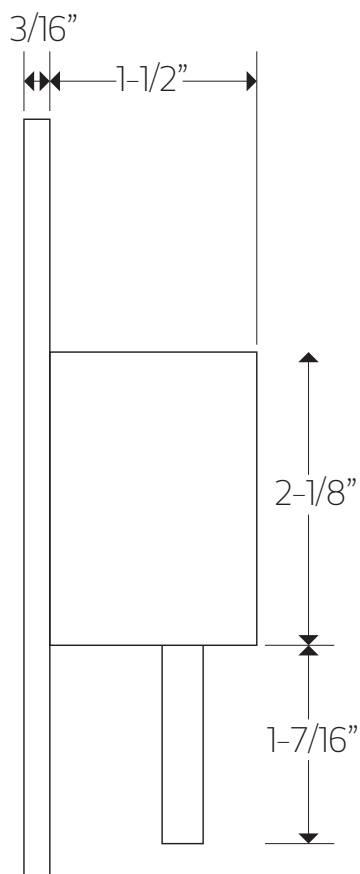


F903A-51TK

TECHNICAL DATA SHEET

pressure balance mixer trim
kit only rnd+lever



artos

F903A-51TK

pressure balance mixer trim
kit only rnd+lever

OPERATING SPECIFICATIONS

for associated valve | F903A-40V0



MIXED WATER TEMPERATURE

Maximum: 120°F

HOT WATER SUPPLY TEMPERATURE

Maximum: 185°F

Minimum: 50°F

Advisable: 150°F- 160°F

Minimum difference between hot mixed temperature 50°F

OPERATING PRESSURE

Maximum: 125psi

Minimum: 20psi

Recommended: 30psi- 95psi

Operating pressures (on hot and cold lines) should be kept as balanced as possible, in order to assure the maximum efficiency.