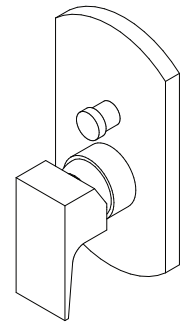


artos[®]

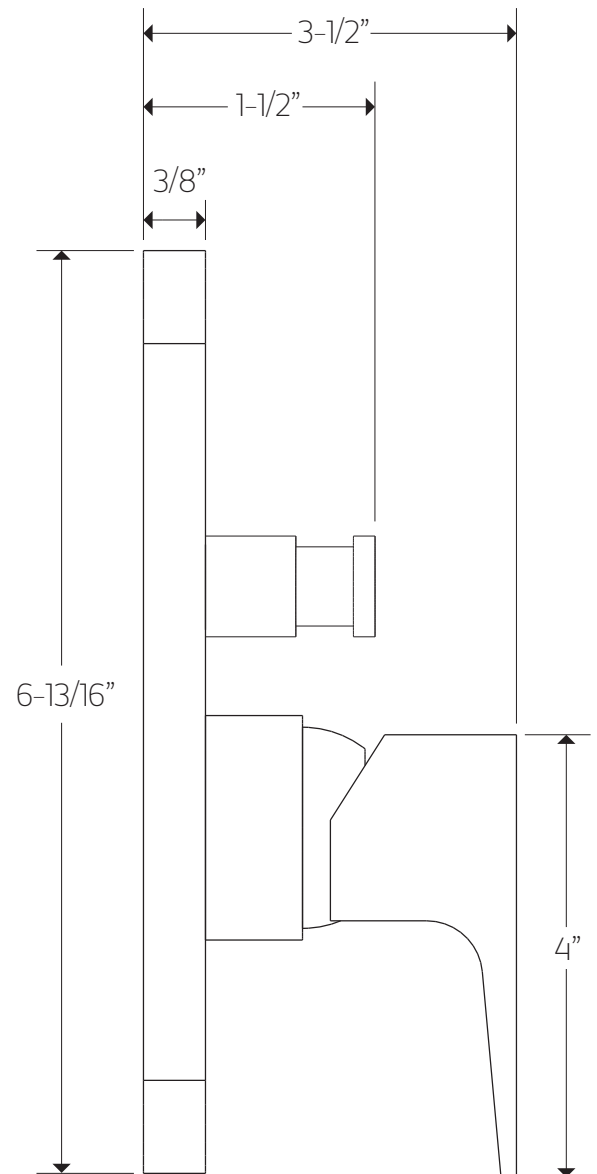
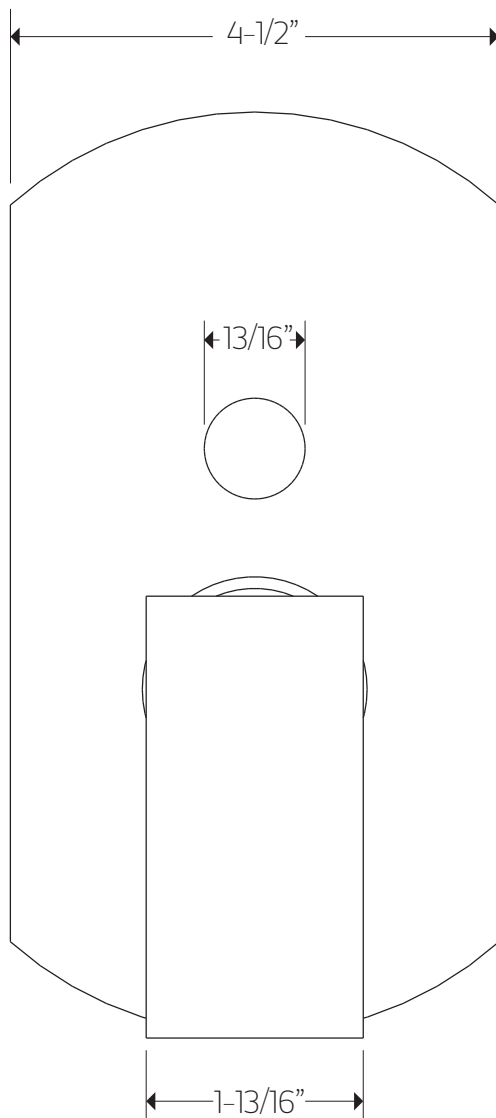
the art of style



F903-8TK

TECHNICAL DATA SHEET

pressure balance mixer with
push-button diverter trim kit
saifre



artos

F903-8TK

pressure balance mixer with
push-button diverter trim kit
saifre

OPERATING SPECIFICATIONS

for associated valve | F903-14



OPERATING PRESSURE

Minimum: 45 psi

Maximum: 75 psi

Above 90psi it may be necessary to install a pressure reducer

OPERATING TEMPERATURE

Maximum: 176°

FLOW CAPACITY

5.5 USGPM@60 psi

Used with shower heads rated at 2 gpm or higher

INLET/OUTLET

1/2" Female NPT- Inlets & Top Outlet

3/4" Female NPT- Bottom Outlet