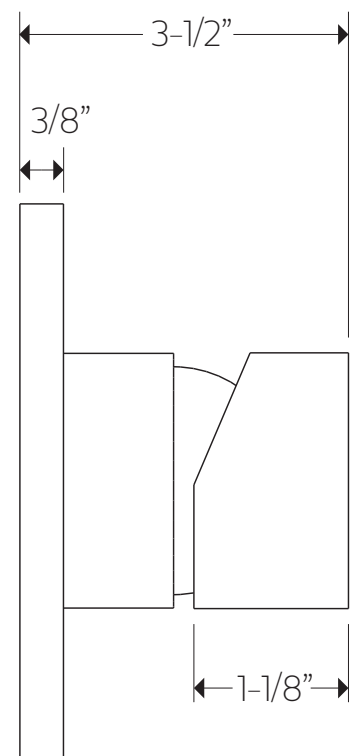
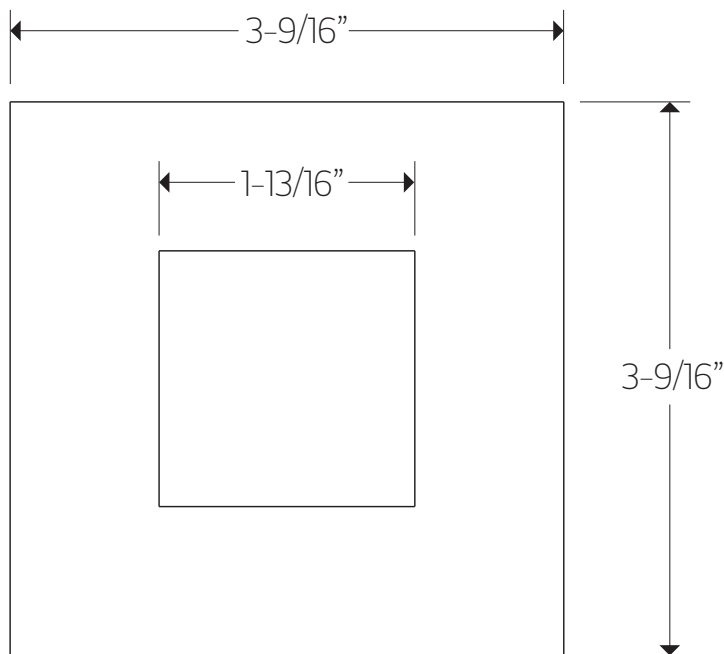


F903-10TK

TECHNICAL DATA SHEET

pressure balance mixer trim
kit sq



artos

F903-10TK

pressure balance mixer trim
kit squ

OPERATING SPECIFICATIONS

for associated valve | F903-15



OPERATING PRESSURE

Minimum: 45 psi

Maximum: 75 psi

Above 90psi it may be necessary to install a pressure reducer

OPERATING TEMPERATURE

Maximum: 176°

FLOW CAPACITY

6.0 USGPM@60 psi

Used with shower heads rated at 2 gpm or higher

INLET/OUTLET

1/2" Female NPT