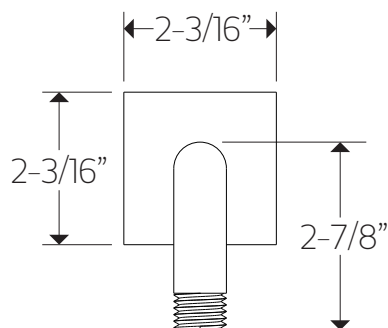
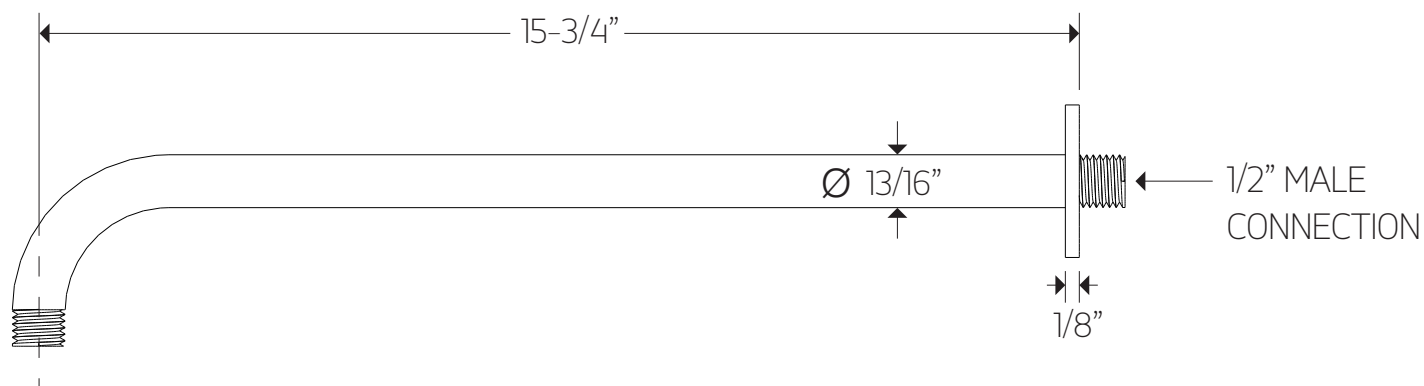


F902-27

TECHNICAL DATA SHEET

wall mount shower arm r+s



artos

F902-27

OPERATING SPECIFICATIONS

wall mount shower arm r+s

INLET/OUTLET

1/2" Male NPT- Wall Connections

