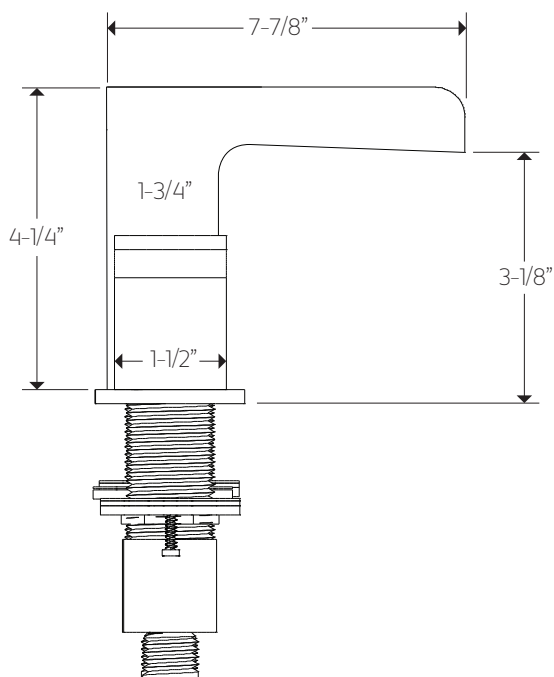
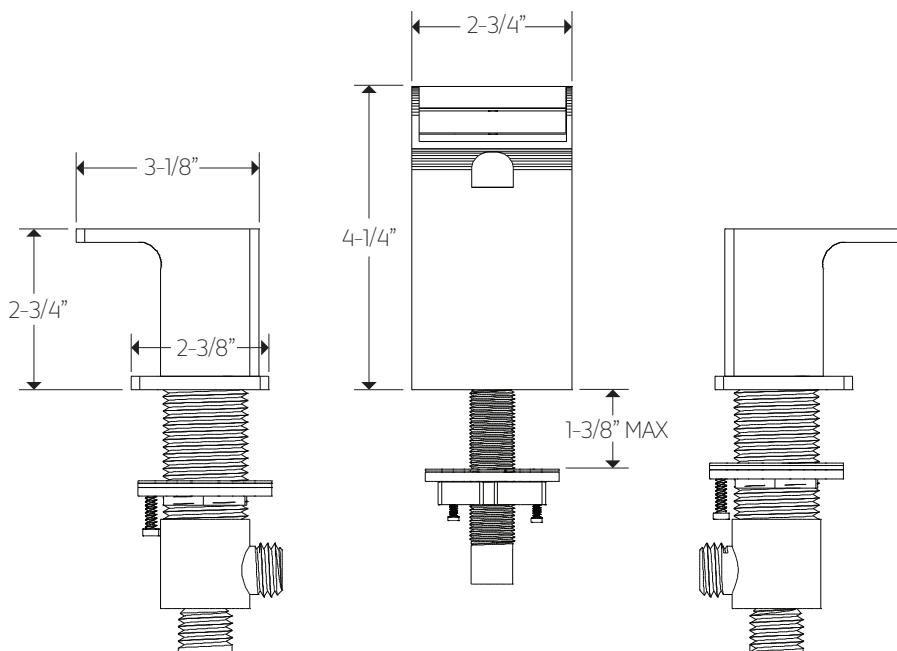


## F802-5

## TECHNICAL DATA SHEET

kascade 3 hole deck mount  
tub filler



# artos<sup>®</sup>

## F802-5

## OPERATING SPECIFICATIONS

kascade 3 hole deck mount  
tub filler



### FEATURES

Valve bodies included  
Waterfall Flow

### OPERATING PRESSURE

Minimum: 15 psi  
Maximum: 75 psi  
Above 90psi it may be necessary to install a pressure  
reducer

### OPERATING TEMPERATURE

Maximum: 176°

### FLOW RATE

8.2 USGPM