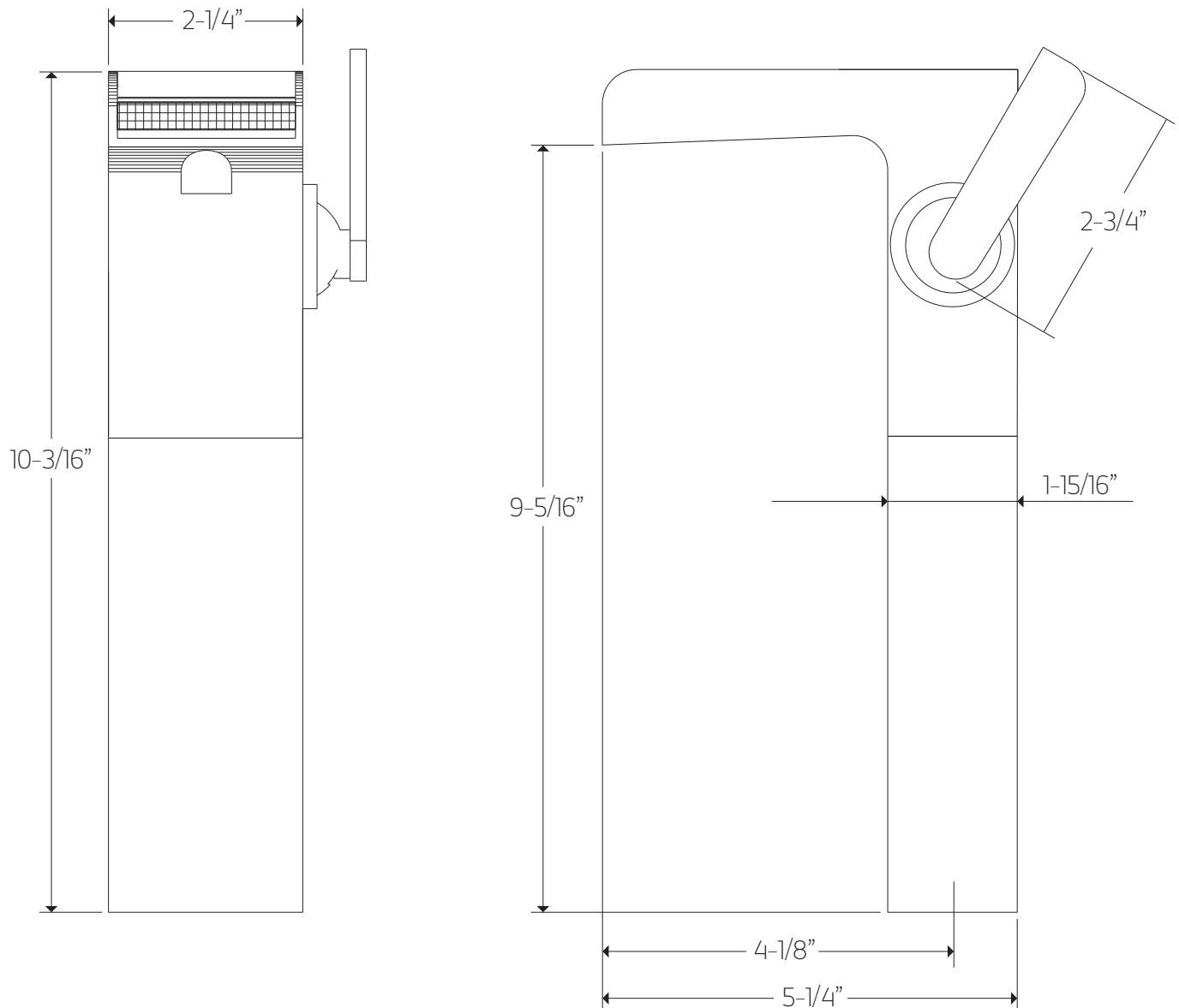




F801-3

TECHNICAL DATA SHEET

kascade vessel lav faucet
high



artos[®]

F801-3

OPERATING SPECIFICATIONS

kascade vessel lav faucet
high



OPERATING PRESSURE

Minimum: 15 psi

Maximum: 75 psi

90psi+ may be necessary to install a pressure reducer

OPERATING TEMPERATURE

Maximum: 176°

FLOW RATE

1.2 USGPM

REQUIREMENTS

Max Surface Thickness: 1-5/8"

APPROVALS

