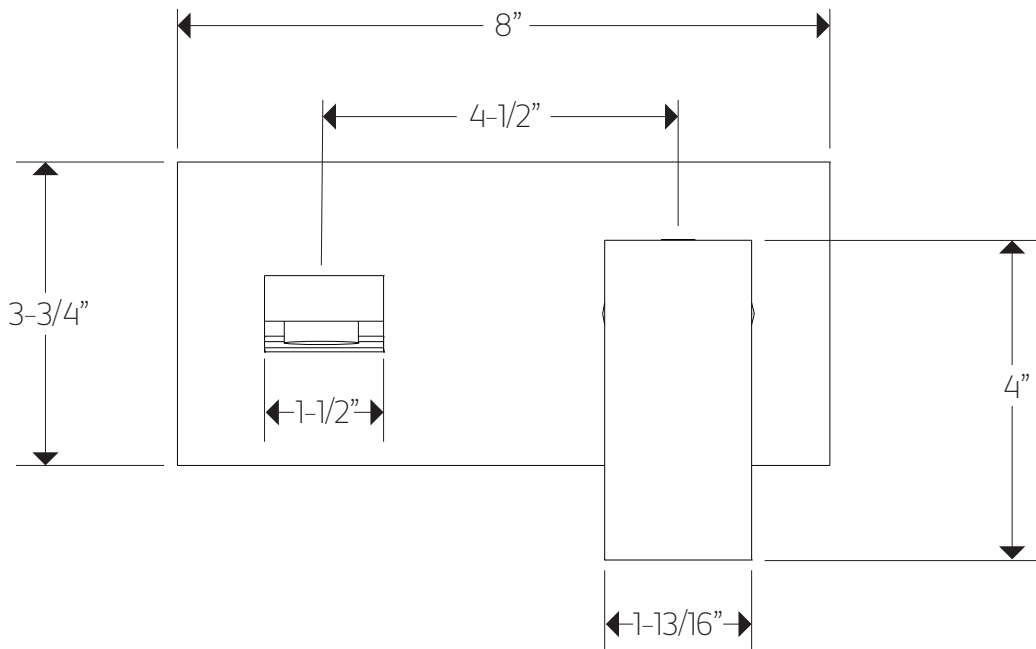
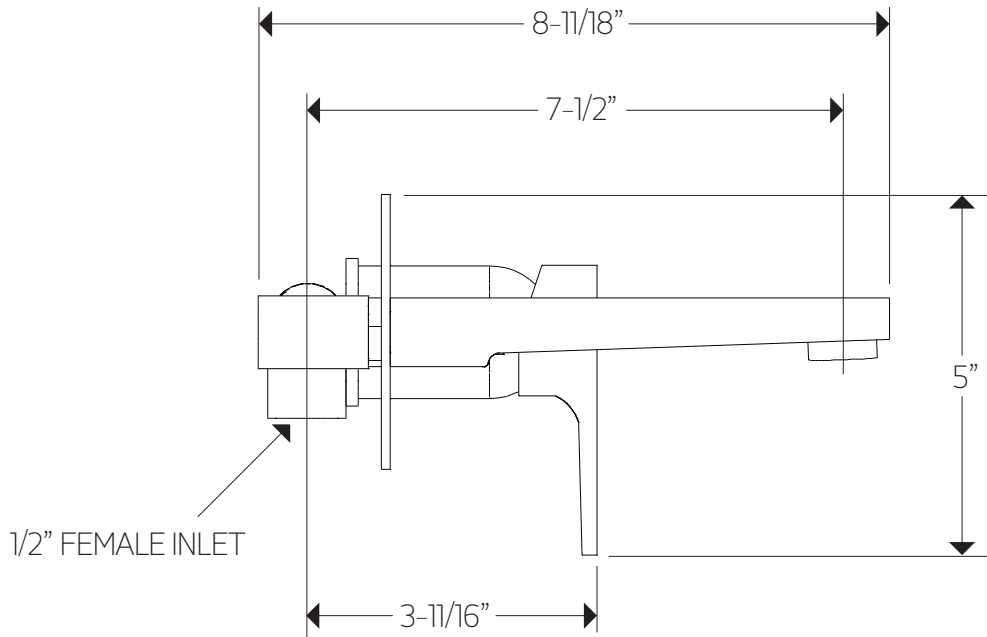




F701-4

TECHNICAL DATA SHEET

safire in wall lav faucet



artos[®]

F701-4

OPERATING SPECIFICATIONS

safire in wall lav faucet



FEATURES

Integrated Control

OPERATING PRESSURE

Minimum: 15 psi

Maximum: 75 psi

Above 90psi it may be necessary to install a pressure reducer

OPERATING TEMPERATURE

Maximum: 176°

FLOW RATE

1.2 USGPM

APPROVALS

