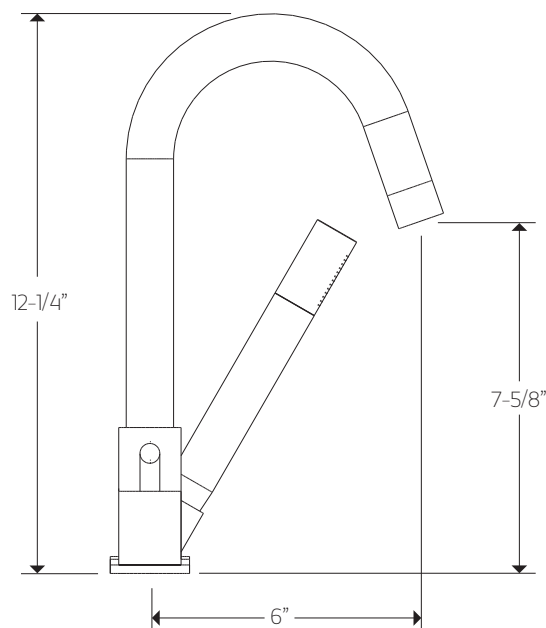
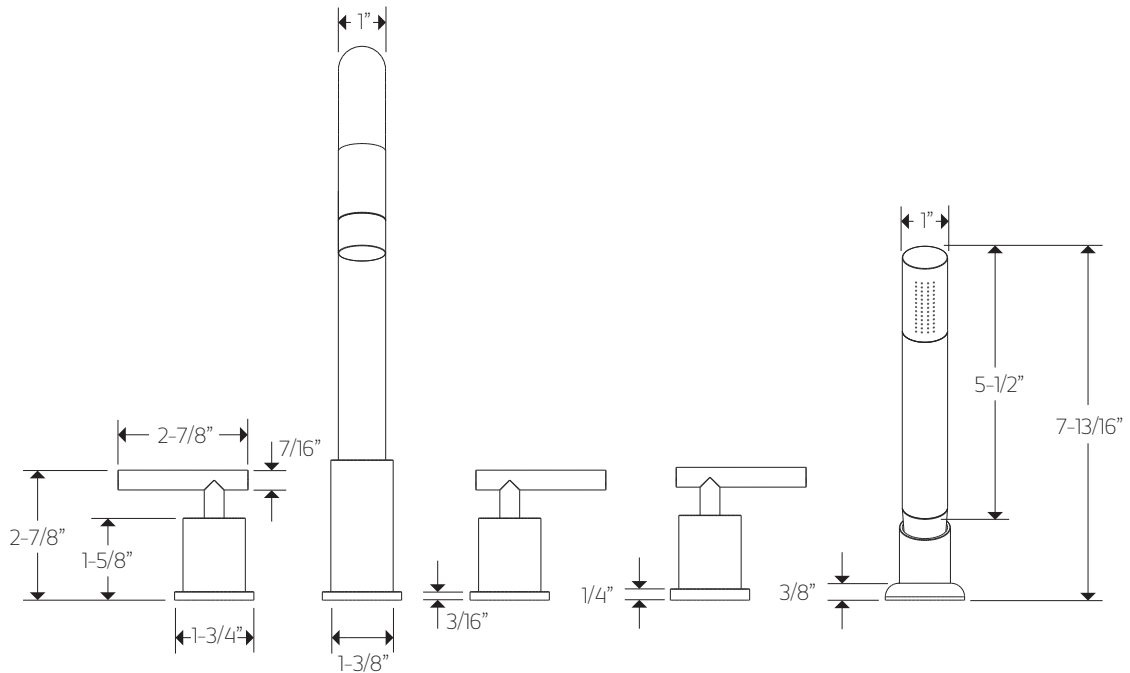




F502-10

TECHNICAL DATA SHEET

opera 5-hole deck mount tub
filler



artos[®]

F502-10

OPERATING SPECIFICATIONS

opera 5-hole deck mount tub
filler



FEATURES

Pull out hand shower with separate control, 25" hose
Solid brass construction

OPERATING PRESSURE

Minimum: 45 psi
Maximum: 75 psi
Above 90psi it may be necessary to install a pressure
reducer

OPERATING TEMPERATURE

Maximum: 176°

FLOW CAPACITY

Tub Filler: 6.0 USGPM@60 psi
Hand Showerr: 2.0 USGPM@60 psi