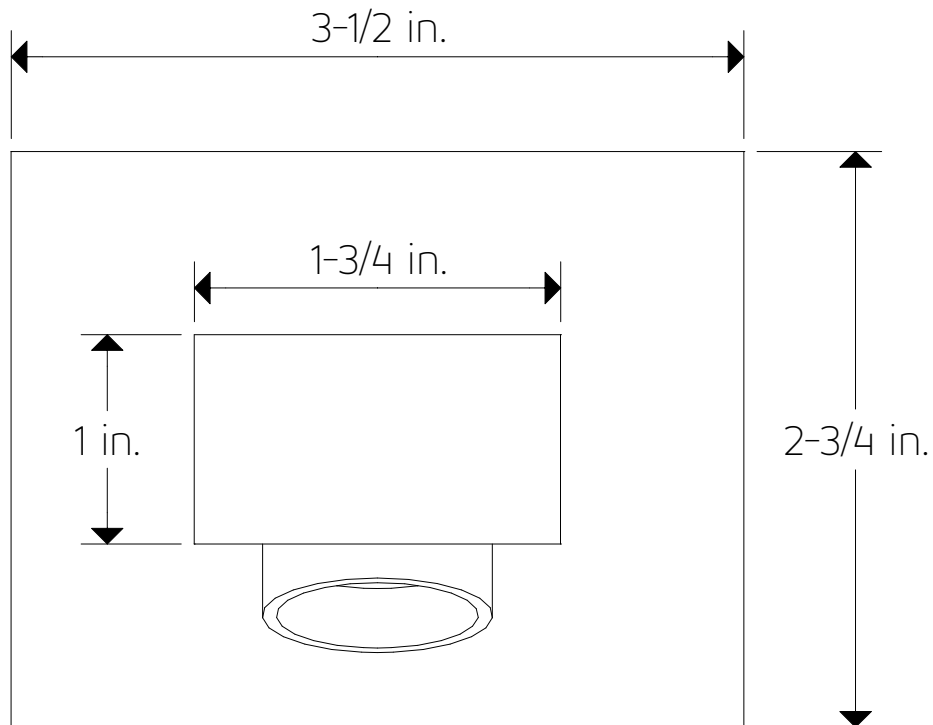
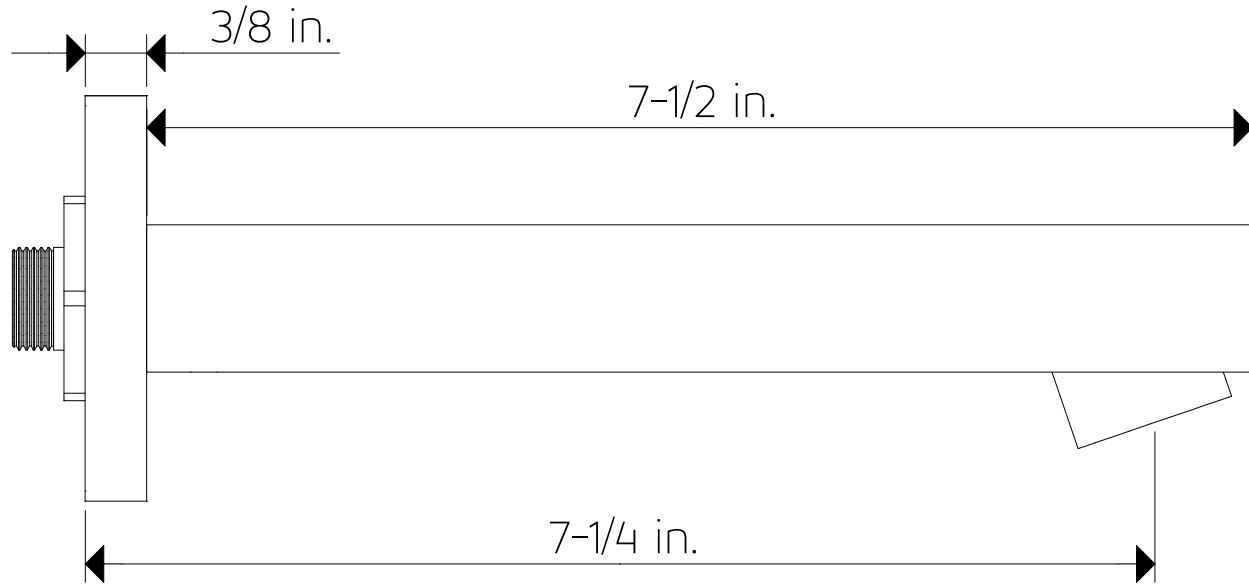


artos[®]

F402-10

PRODUCT DIMENSIONS

square wall mount tub filler



artos

F402-10

OPERATING SPECIFICATIONS

square wall mount tub
filler



OPERATING PRESSURE

Minimum: 15 psi

Maximum: 75 psi

Above 90psi it may be necessary to install a pressure reducer

OPERATING TEMPERATURE

Maximum: 176°

FLOW CAPACITY

6.1 USGPM

INLET/OUTLET

1/2" Male NPT