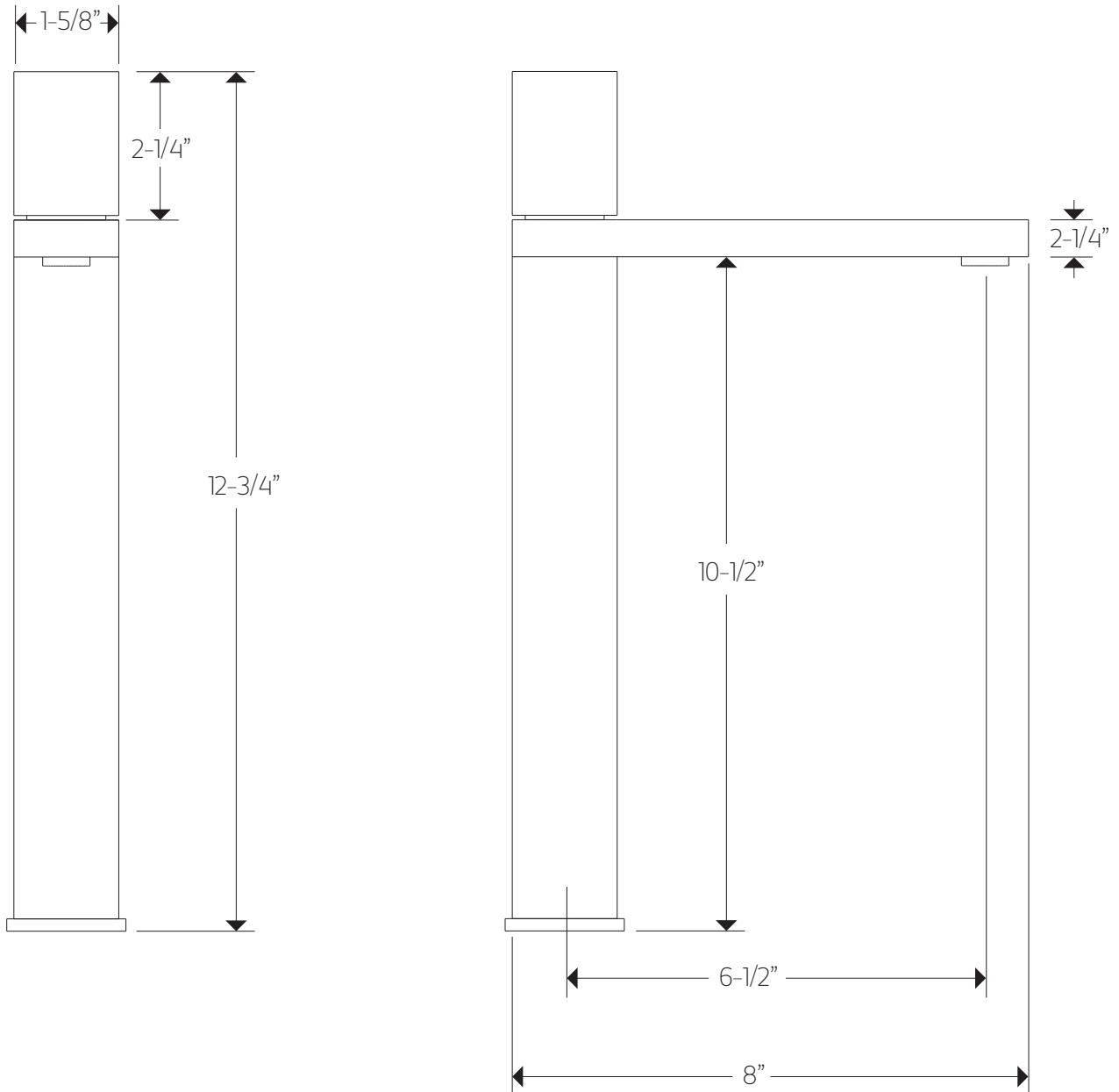


milan vessel lav faucet



artos[®]

F401-12

OPERATING SPECIFICATIONS

milan vessel lav faucet



OPERATING PRESSURE

Minimum: 15 psi

Maximum: 75 psi

Above 90psi it may be necessary to install a pressure reducer

OPERATING TEMPERATURE

Maximum: 176°

FLOW RATE

1.2 USGPM

APPROVALS

