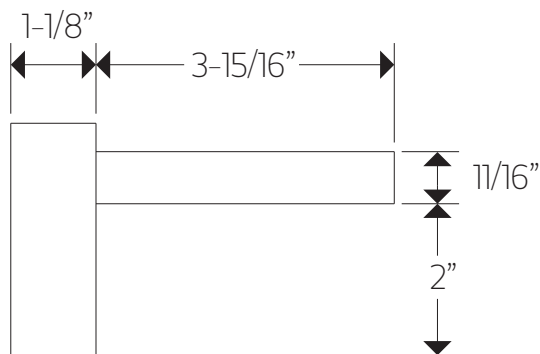
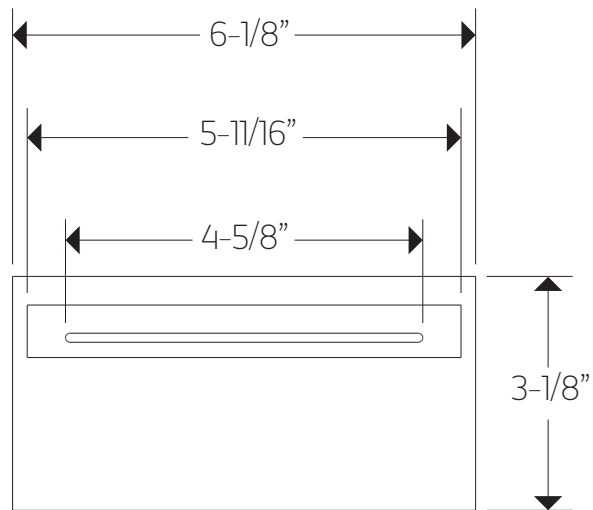


F202-8

TECHNICAL DATA SHEET

quarto deck mount tub filler

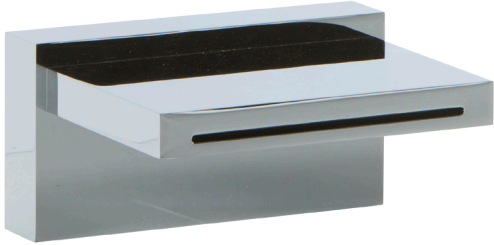


artos

F202-8

OPERATING SPECIFICATIONS

quarto deck mount tub filler



FEATURES

Front Ribbon Water Flow

OPERATING PRESSURE

Minimum: 15 psi

Maximum: 75 psi

Above 90psi it may be necessary to install a pressure reducer

OPERATING TEMPERATURE

Maximum: 176°

FLOW RATE

6.0 USGPM