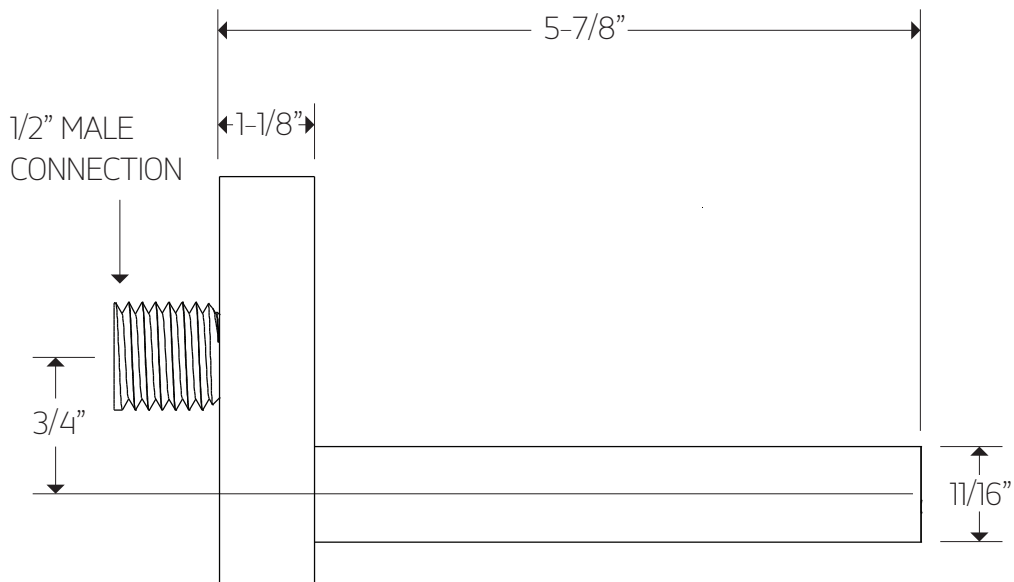
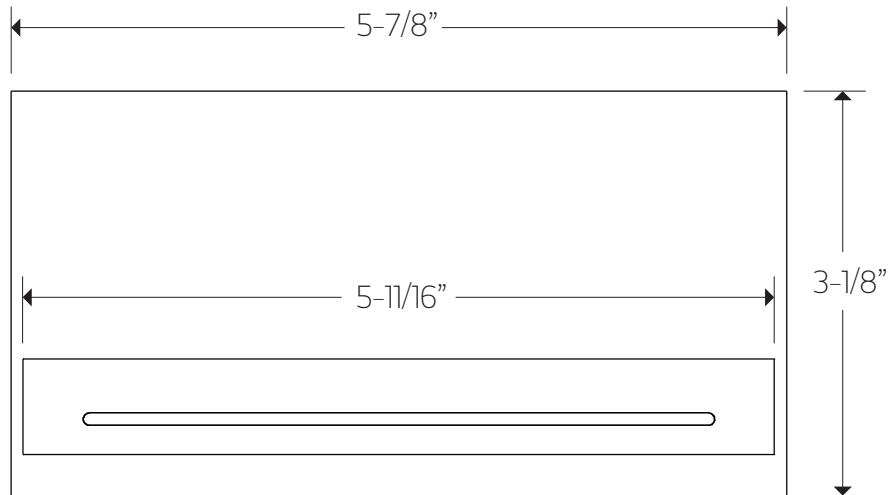




F202-1

TECHNICAL DATA SHEET

quarto wall mount tub filler



artos[®]

F202-1

OPERATING SPECIFICATIONS

quarto wall mount tub filler



OPERATING PRESSURE

Minimum: 15 psi

Maximum: 125 psi

FLOW CAPACITY

15USGPM

INLET/OUTLET

1/2" Female NPT