

# F924C8

Harmony 8" Rain Shower Head on Ceiling Mount Arm

artos®

## OPERATING SPECIFICATIONS



### OPERATING TEMPERATURE

Maximum: 176°

### OPERATING PRESSURE

Minimum: 15psi

Maximum: 75psi

Recommended: 25psi-70psi

Above 90psi, it may be necessary to install a pressure reducer

### FLOW RATE

1.8 USGPM

### INLET/OUTLET CONNECTIONS

1/2" NPT

### MATERIAL

Solid Brass

### REQUIREMENTS

This unit requires a control

### FEATURES

Easy Clean Jets

### STANDARDS

To view all standards, please visit product approvals in our learning hub at [artos.us.com](https://artos.us.com)



1

WESTOVER, INC

4011 S 60TH ST, OMAHA, NE 68117

[WWW.ARTOS.US.COM](http://WWW.ARTOS.US.COM)

T: 402-397-3344

All technical specifications, product details, and pricing are subject to change without prior notice. Artos makes every effort to ensure accuracy; however, errors or omissions may occur. It is the responsibility of the installer, designer, or purchaser to verify all critical dimensions, installation requirements, and compliance with applicable codes prior to use.

Artos assumes no liability for damages, losses, or injuries resulting from the use of this documentation or from product installation, operation, or maintenance performed outside of Artos instructions and applicable codes. Product warranties are limited to those expressly stated by Artos. Please refer to official warranty documentation for complete terms and conditions.

All drawings, manuals, and specifications are the property of Artos and may not be reproduced, distributed, or altered without prior written permission.

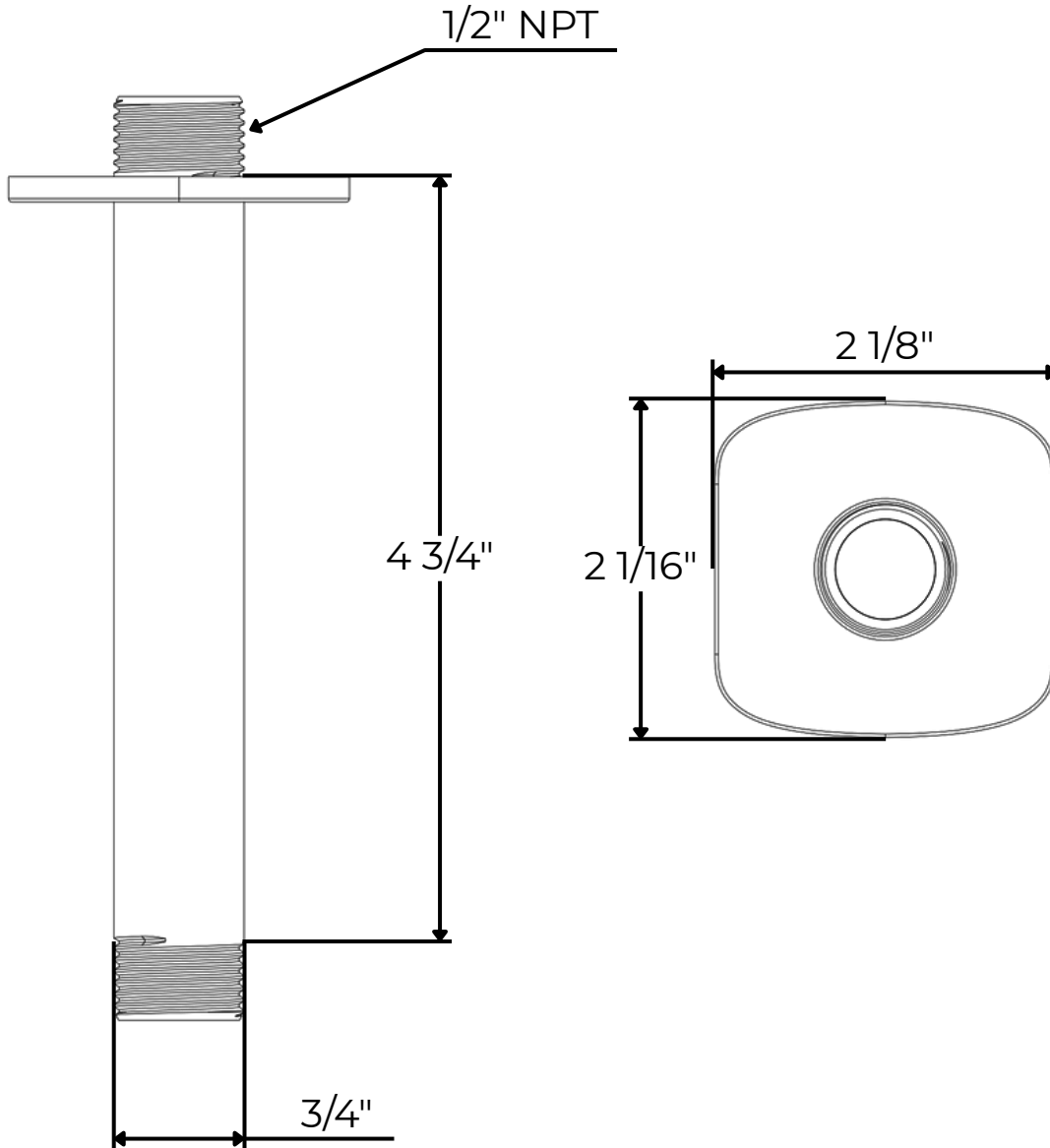
# F924C8

Harmony 8" Rain Shower Head on Ceiling Mount Arm

artos®

## PRODUCT DIMENSIONS

PRODUCT SKU: F902-3TR



# F924C8

artos®

Harmony 8" Rain Shower Head on Ceiling  
Mount Arm

## PRODUCT DIMENSIONS

PRODUCT SKU: F901-1

