

F907-80TR

Harmony Flexible Hose Slidebar Kit with Separate Water Outlet

artos®

OPERATING SPECIFICATIONS



MIXED WATER TEMPERATURE

Maximum: 120°

OPERATING TEMPERATURE

Maximum: 176°

Minimum: 50°

Minimum difference between hot mixed temperature 50°

OPERATING PRESSURE

Minimum: 15psi

Maximum: 75psi

Recommended: 30psi-70psi

MATERIAL

Solid Brass

ABS

REQUIRMENTS

Controll Valve

FLOW RATE

1.8 USGPM

STANDARDS

To view all standards, please visit product approvals in our learning hub at artos.us.com

All technical specifications, product details, and pricing are subject to change without prior notice. Artos makes every effort to ensure accuracy; however, errors or omissions may occur. It is the responsibility of the installer, designer, or purchaser to verify all critical dimensions, installation requirements, and compliance with applicable codes prior to use.

Artos assumes no liability for damages, losses, or injuries resulting from the use of this documentation or from product installation, operation, or maintenance performed outside of Artos instructions and applicable codes. Product warranties are limited to those expressly stated by Artos. Please refer to official warranty documentation for complete terms and conditions.

All drawings, manuals, and specifications are the property of Artos and may not be reproduced, distributed, or altered without prior written permission.

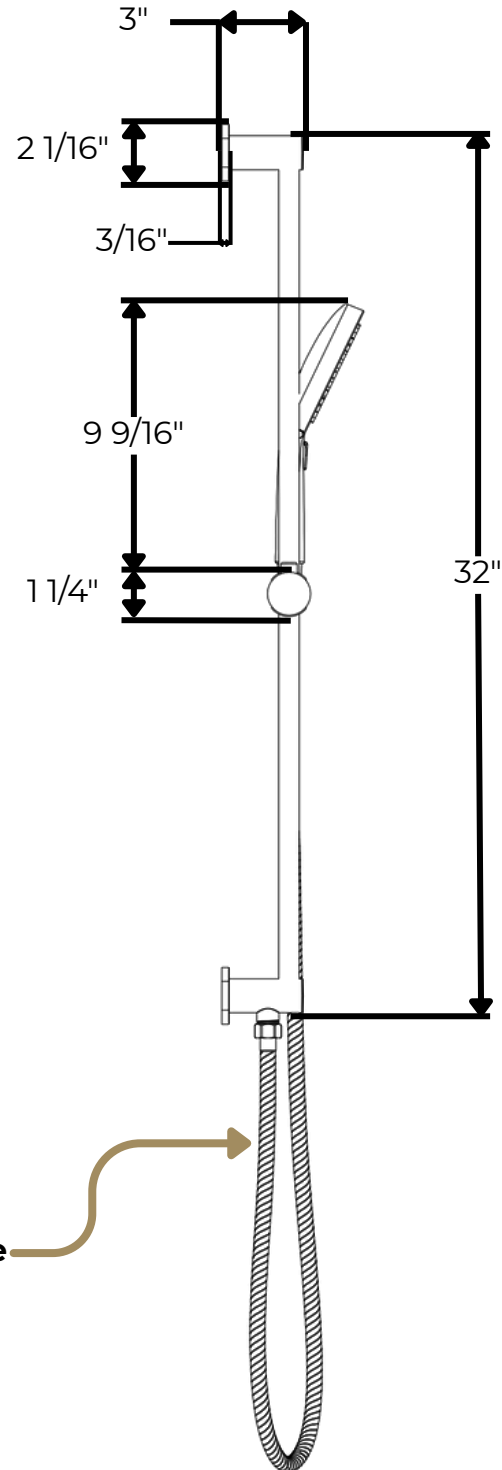
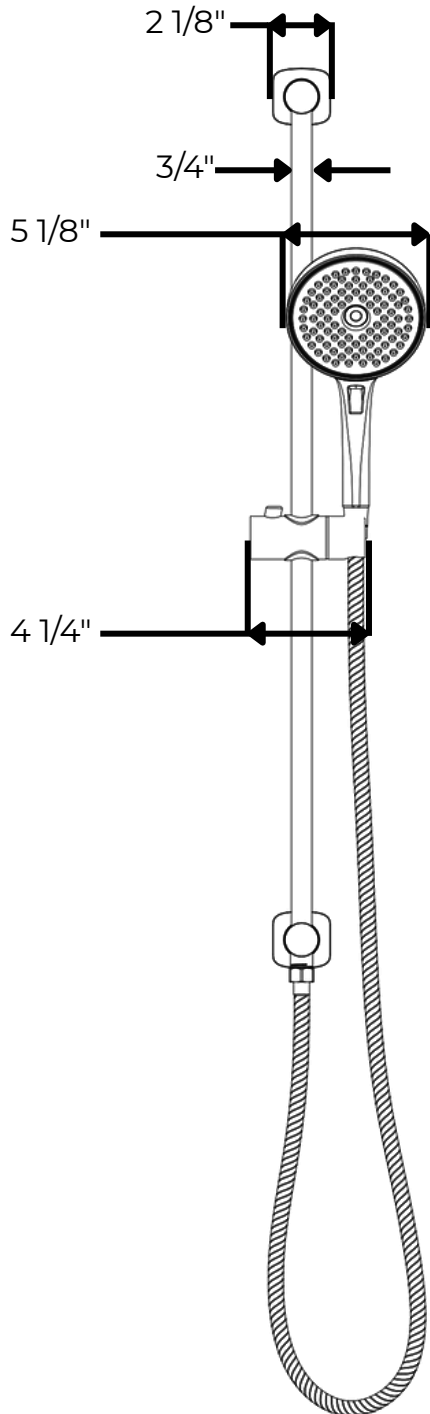
F907-80TR

Harmony Flexible Hose Slidebar Kit with Separate Water Outlet

artos®

PRODUCT DIMENSIONS

PRODUCT SKU: F907-80TR



150cm Hose