

artos[®]

F903B-58TK

INSTALLATION GUIDE

thermostatic with 3-way
diverter, trim kit only round

BRUSHED NICKEL(BN)



CHROME(CH)



artos[®]

F903B-58TK

thermostatic with 3-way
diverter, trim kit only round

OPERATING SPECIFICATIONS

for associated valve | F943-V0



FEATURES

Solid Brass

MIXED WATER TEMPERATURE

Maximum: 120°F

HOT WATER SUPPLY TEMPERATURE

Maximum: 180°F

Minimum: 50°F

Advisable: 150°F- 160°F

Minimum difference between hot mixed temperature 50°F

OPERATING PRESSURE

Maximum: 125psi

Minimum: 20psi

Recommended: 30psi- 95psi

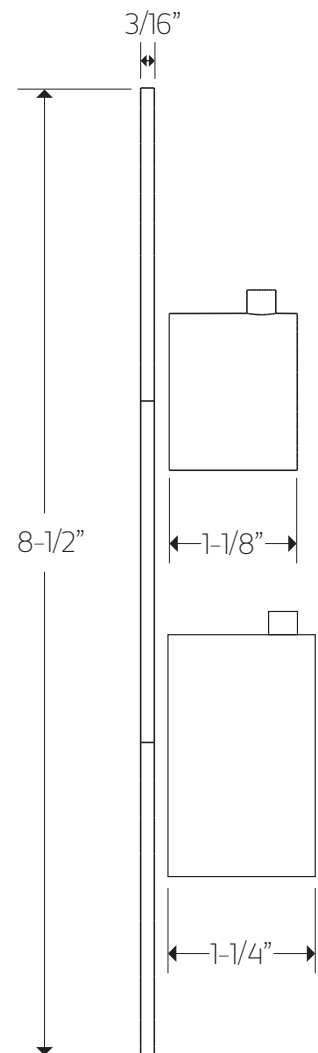
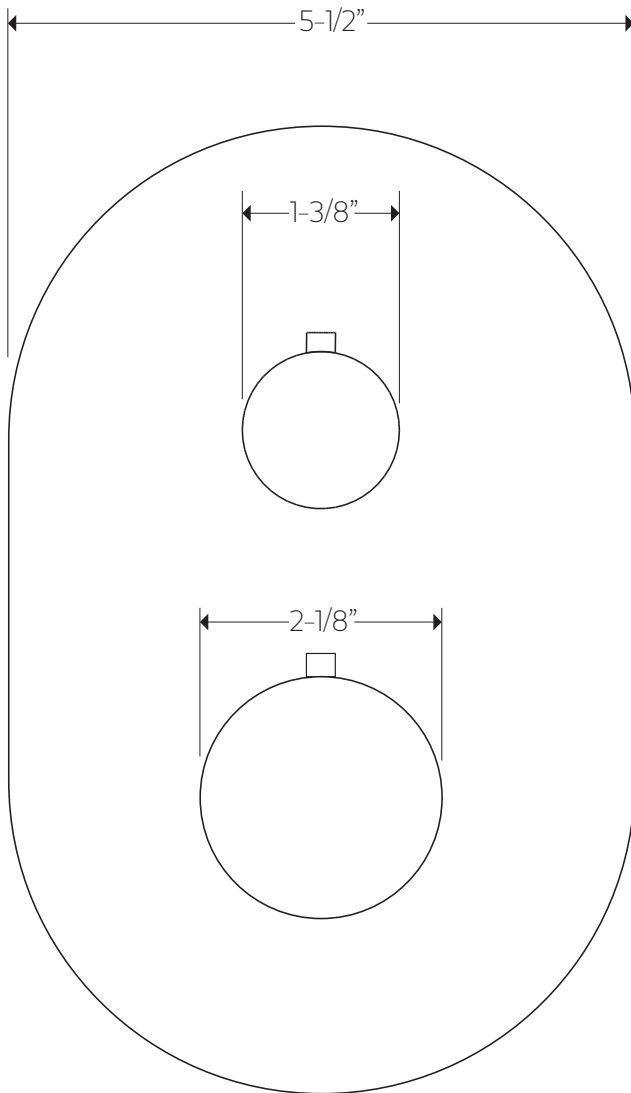
Operating pressures (on hot and cold lines) should be kept as balanced as possible, in order to assure the maximum efficiency.

artos[®]

F903B-58TK

PRODUCT DIMENSIONS

thermostatic with 3-way
diverter, trim kit only round

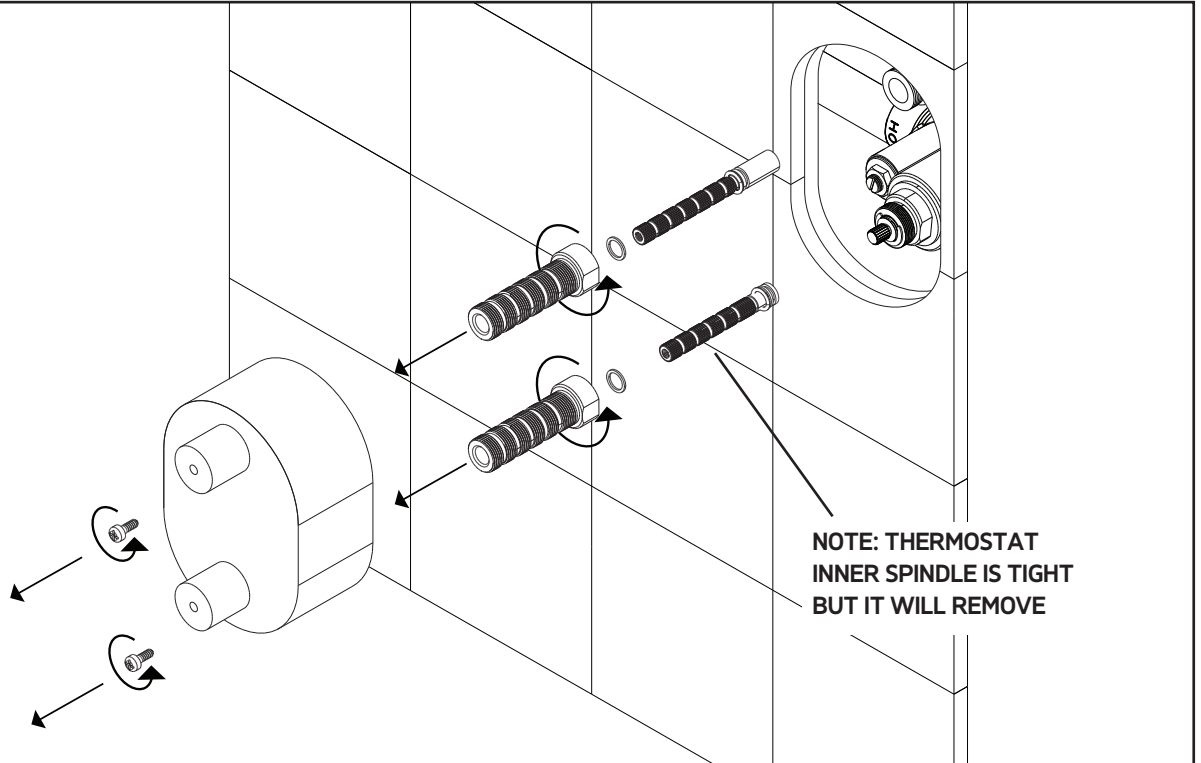


artos[®]

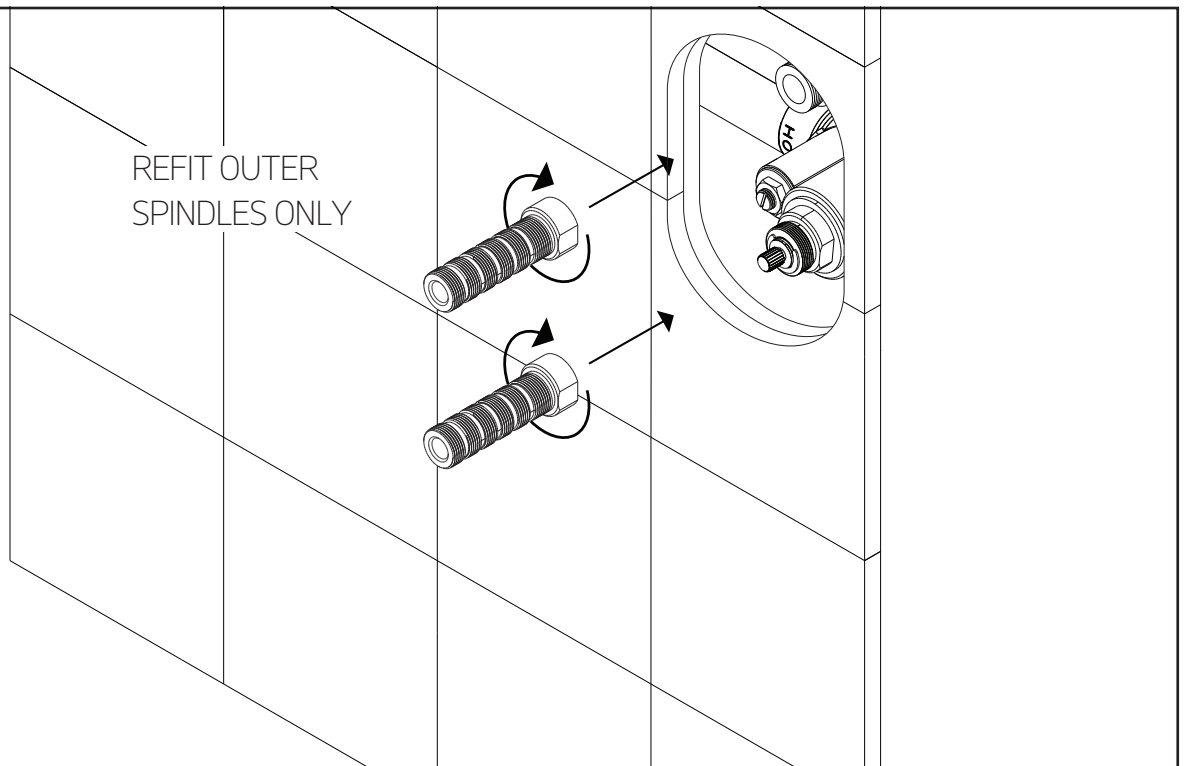
F903B-58TK

thermostatic with 3-way
diverter, trim kit only round

STEP 1

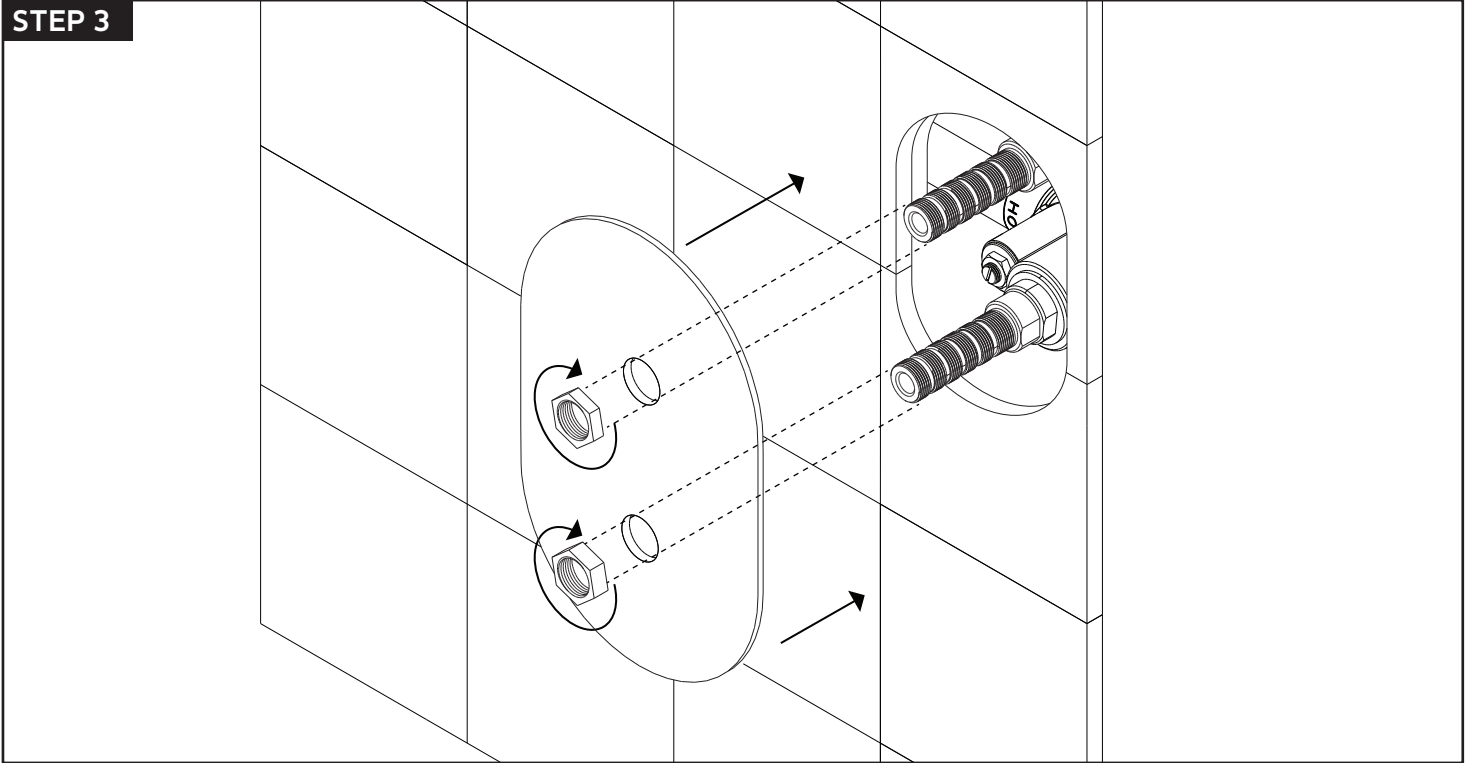


STEP 2

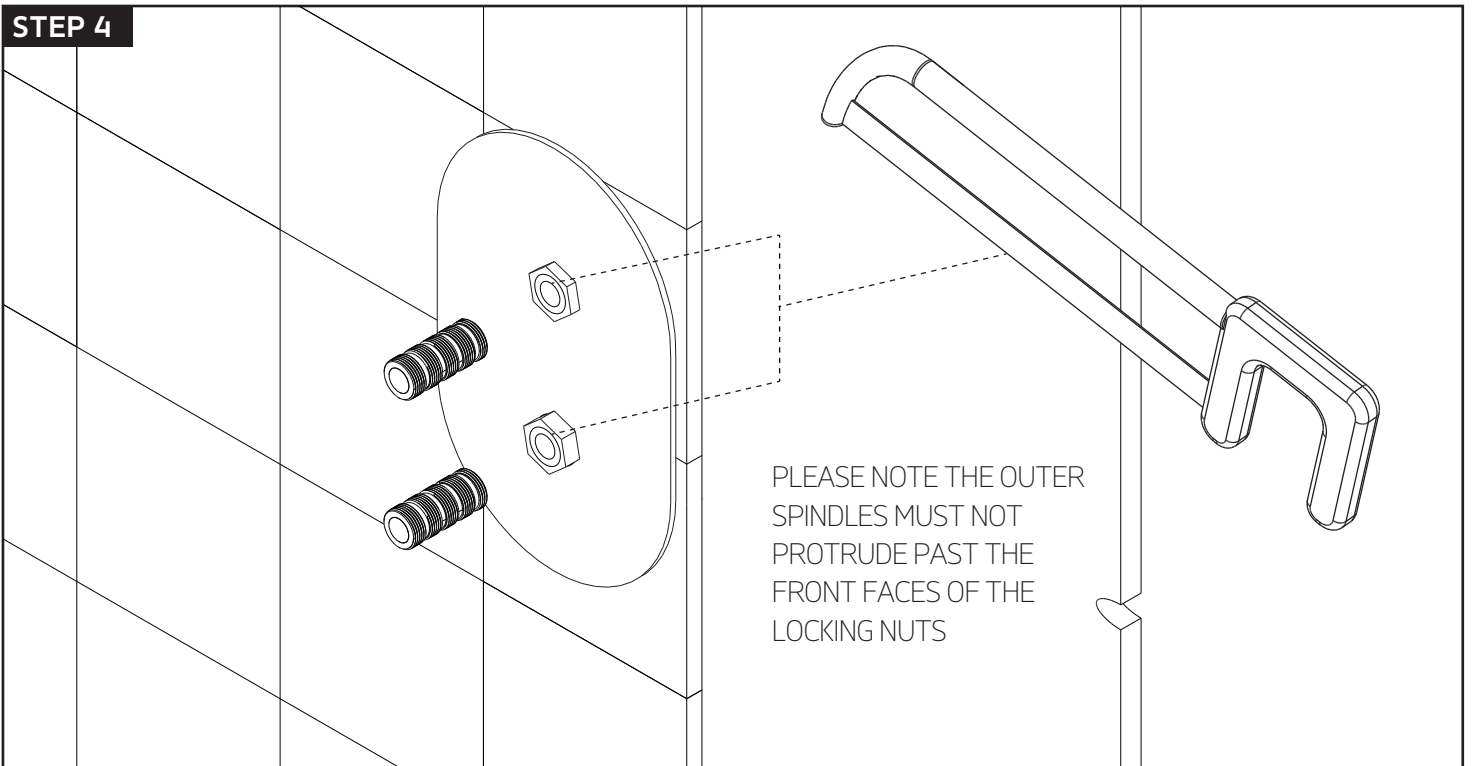


INSTALLATION STEPS

STEP 3



STEP 4

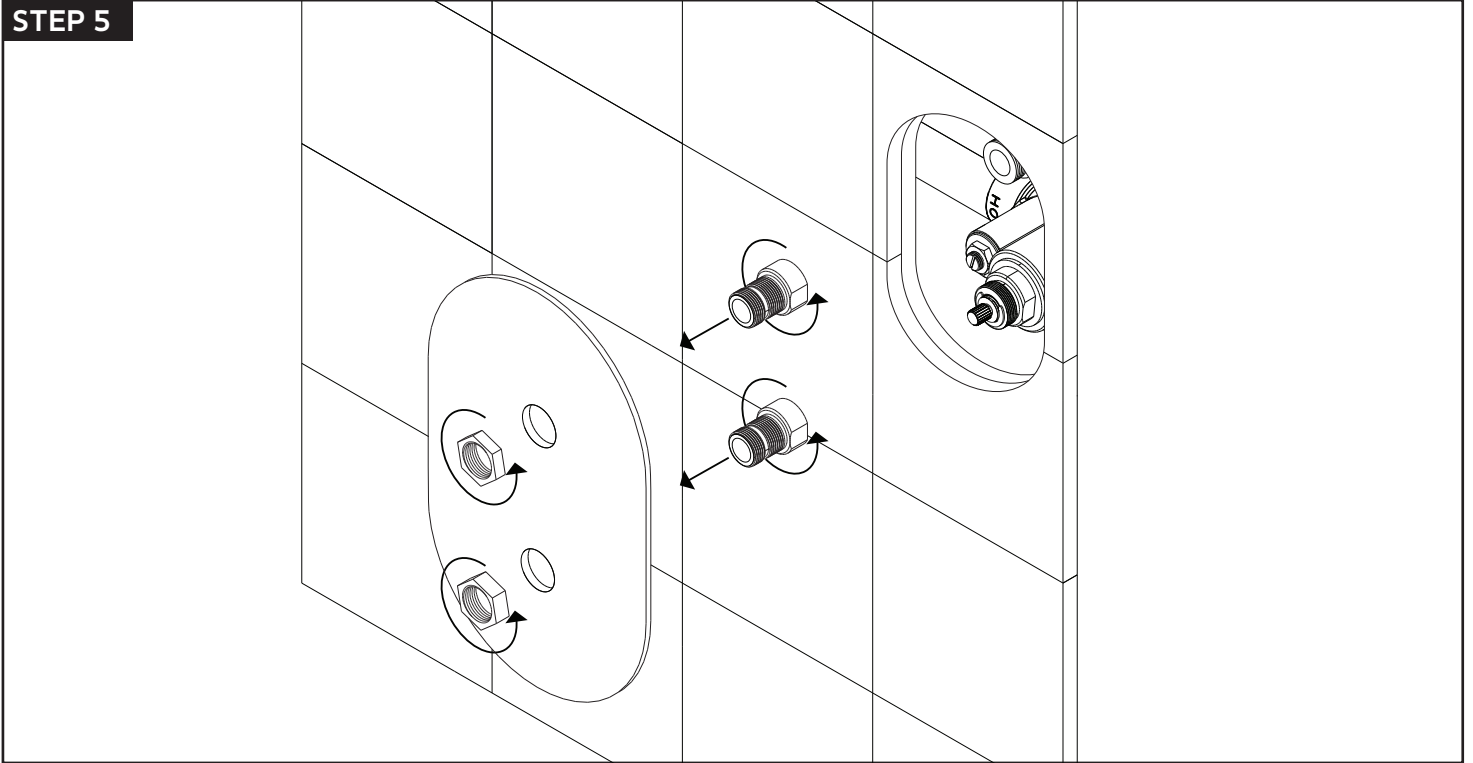


artos[®]

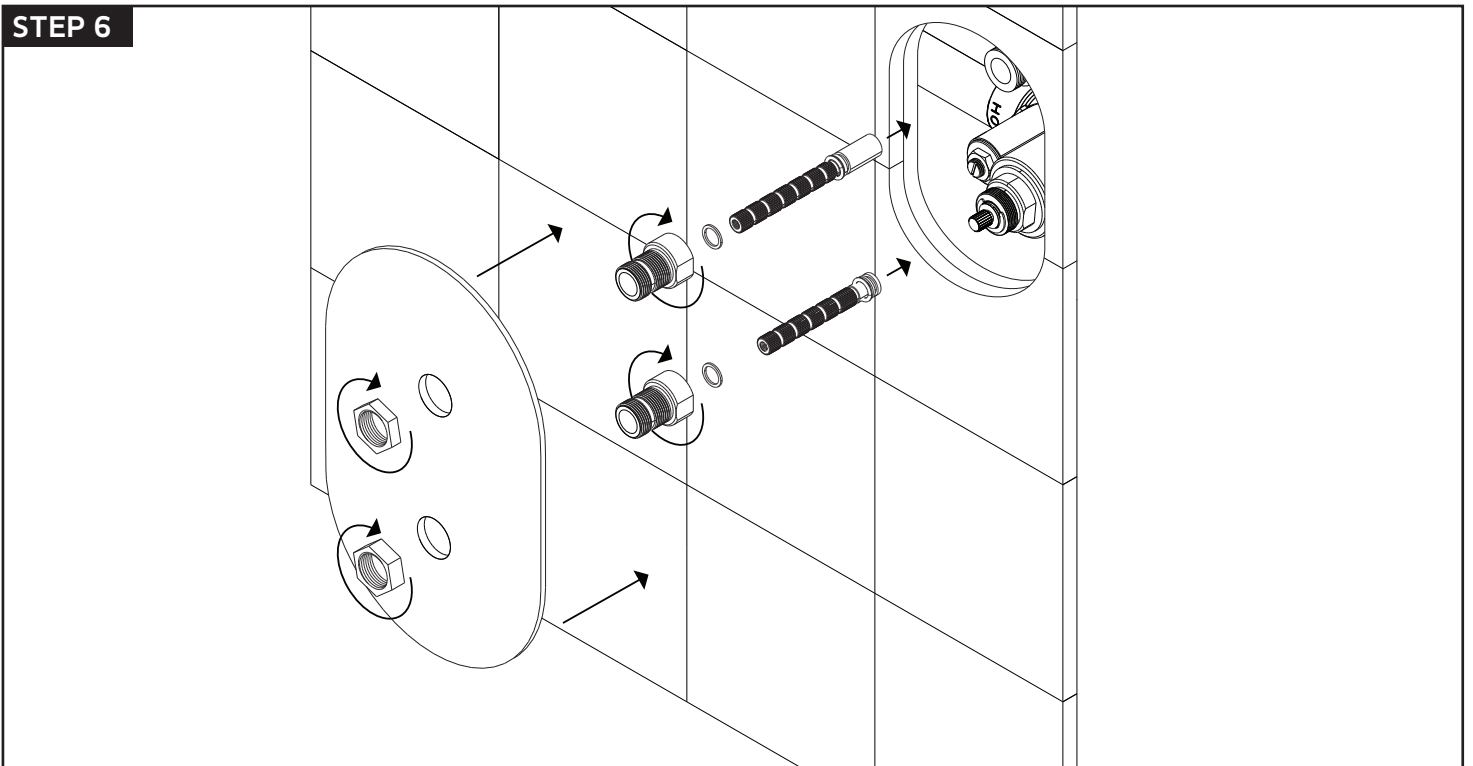
F903B-58TK

thermostatic with 3-way
diverter, trim kit only round

STEP 5

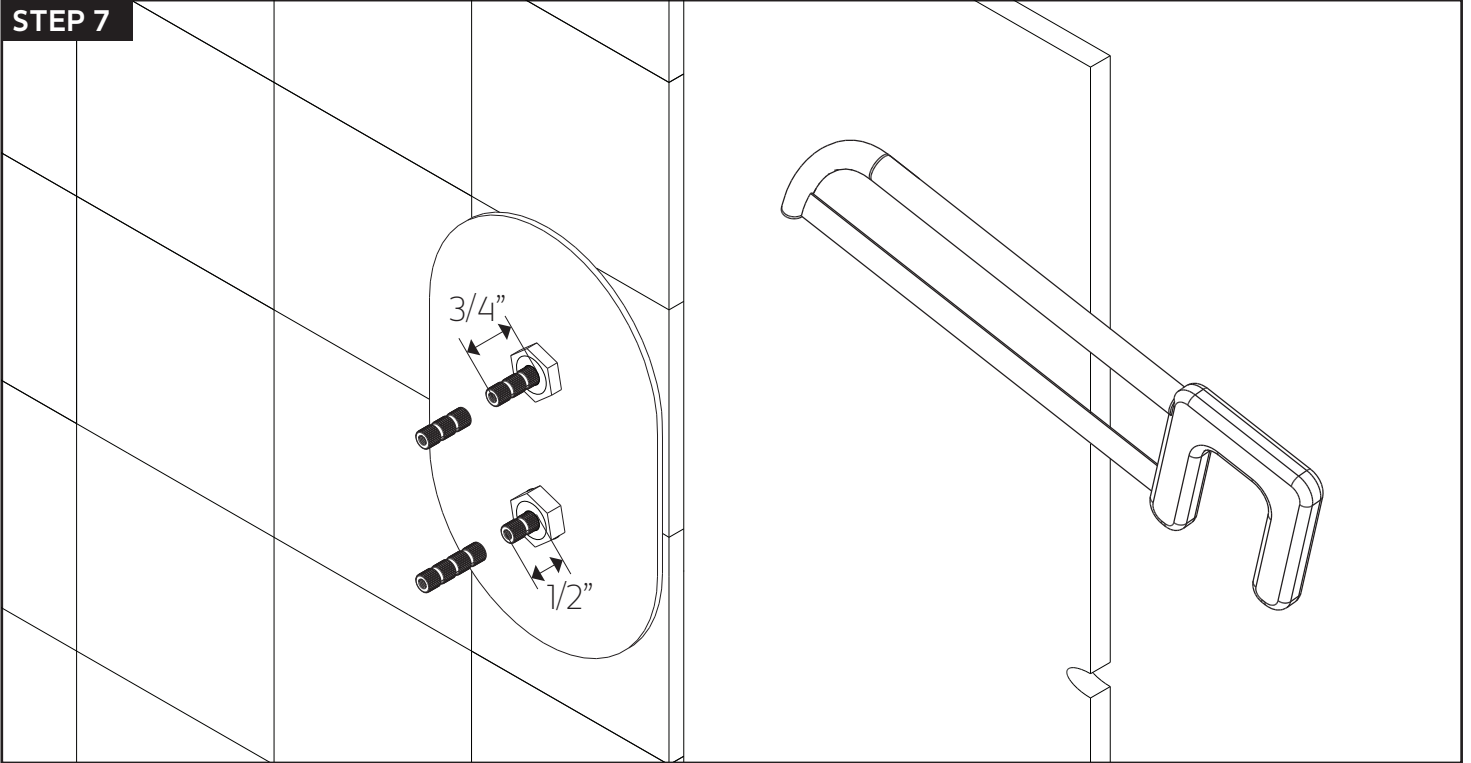


STEP 6

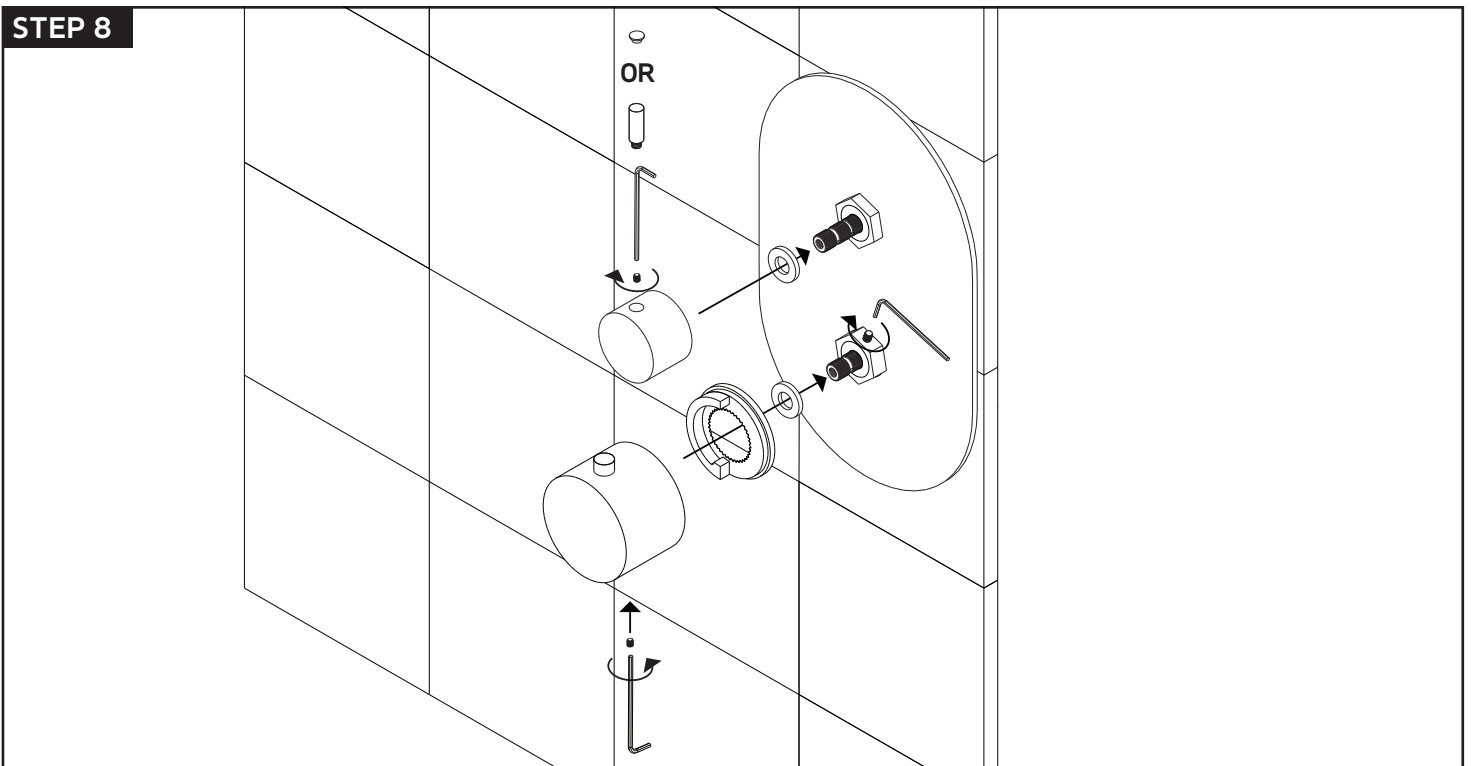


INSTALLATION STEPS

STEP 7



STEP 8

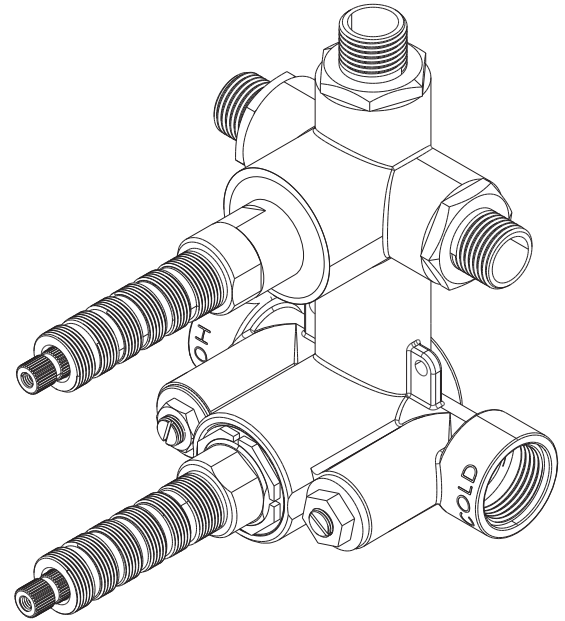
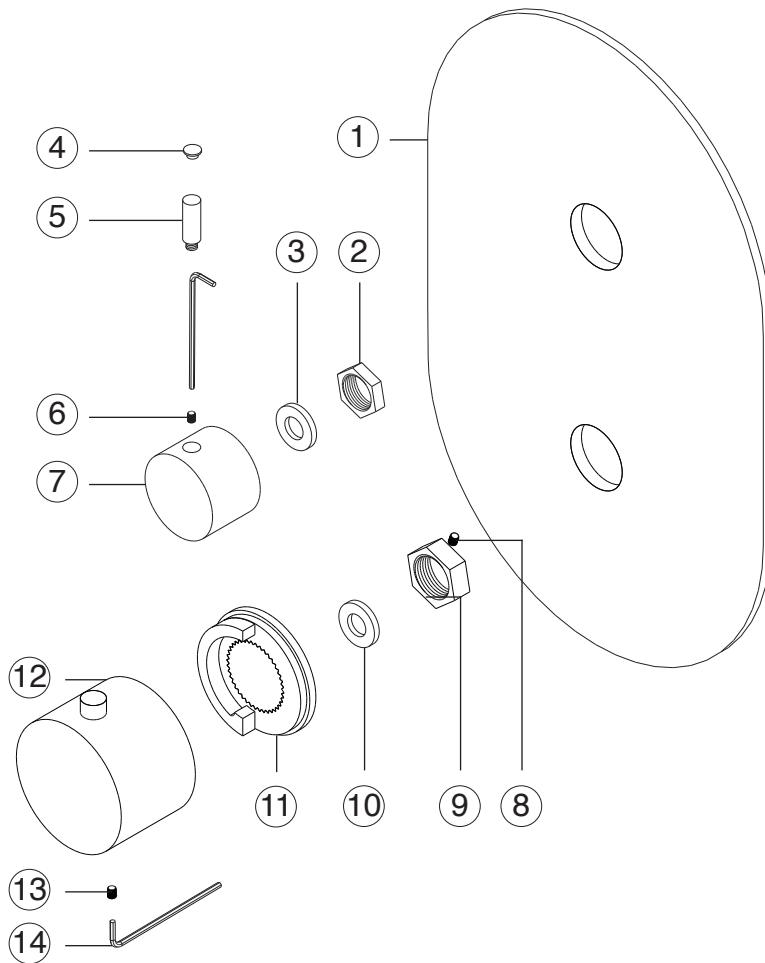


artos[®]

F903B-58TK

thermostatic with 3-way
diverter, trim kit only round

PARTS BREAKDOWN



- | | |
|---|--|
| ① ESCUTCHEON F903B-58TK XP1 | ⑧ LOCKING NUT SET SCREW F903B-58TK XP8 |
| ② DIVERTER LOCKING NUT F903B-58TK XP2 | ⑨ THERMOSTAT LOCKING NUT F903B-58TK XP9 |
| ③ NYLON WASHER F903B-58TK XP3 | ⑩ NYLON WASHER F903B-58TK XP10 |
| ④ HANDLE HOLE CAP F903B-58TK XP4 | ⑪ TEMPERATURE LIMITING RING F903B-58TK XP11 |
| ⑤ DIVERTER HANDLE LEVER F903B-58TK XP5 | ⑫ THERMOSTAT HANDLE F903B-58TK XP12 |
| ⑥ DIVERTER SET SCREW F903B-58TK XP6 | ⑬ THERMOSTAT SET SCREW F903B-58TK XP13 |
| ⑦ DIVERTER HANDLE F903B-58TK XP7 | ⑭ ALLEN WRENCH F903B-58TK XP14 |

artos®

F903B-58TK

thermostatic with 3-way
diverter, trim kit only round

CARE & MAINTENANCE

For best results, keep the following in mind to retain the high quality finish of your artos® faucets:

- Use a soft, dampened sponge or cloth. On no account should you use an abrasive material such as a brush, scouring pad or steel wool to clean surfaces.
- Test your cleaning agent solution on an inconspicuous area before applying to the entire faucet.
- Wipe surfaces clean and rinse completely with water immediately after applying cleaning agent.
- An ideal cleaning technique is to rinse faucet thoroughly and blot dry any water from the surface after each use.

LIMITED LIFETIME WARRANTY

Artos® Limited Lifetime Warranty

Artos® faucets have been manufactured under the highest quality and manufacturing standards. Artos® faucets are guaranteed for life against leaks and manufacturing defects for as long as the original consumer purchaser owns it. This warranty applies to installations in the US, Canada and Mexico (North America). Commercial, Industrial or business uses are warranted for a period of one year from the original date of purchase.

This warranty is non-transferable and applies exclusively to the original owner or end-user. If a defect is found during normal use, Artos® will, at its election, repair, replace or make an appropriate adjustment. Damage caused by accident, misuse, abuse, improper installation or alteration will void the warranty. This warranty does not cover replacement parts where damage is caused by normal wear and tear. Labor charges, installation or other incidental or consequential costs will not be covered.

Replacement parts that qualify for warranty repair can be obtained by contacting Artos® at 1-877-9ARTOS9 or by e-mail at info@artos.us.com. Proof of purchase (original sales receipt) from the original consumer purchaser must accompany all warranty claims. When submitting your claim in writing, please provide your name, address and telephone number.

Please register this product online at WWW.ARTOS.US.COM

Item No : **F 903B-58TK**
Serial No :