

# artos®

## PS118

## INSTALLATION GUIDE

premier series shower set

BRUSHED NICKEL(PS122BN)



CHROME(PS122CH)



# artos®

PS118

premier series shower set

## OPERATING SPECIFICATIONS



### FEATURES

Solid Brass  
3-Outlets

### INCLUDES

F903B-55TK  
F703-4  
F901-9 & F703-1-ARZ  
F702-3

### OPERATING PRESSURE

Minimum: 15 psi  
Maximum: 75 psi  
+90psi it may be necessary to install a pressure reducer

### OPERATING TEMPERATURE

Maximum: 176°

### FLOW CAPACITY

Hand Shower: 1.8 USGPM  
Shower Head: 1.8 USGPM  
Tub Filler: 6.1 USGPM

### APPROVAL



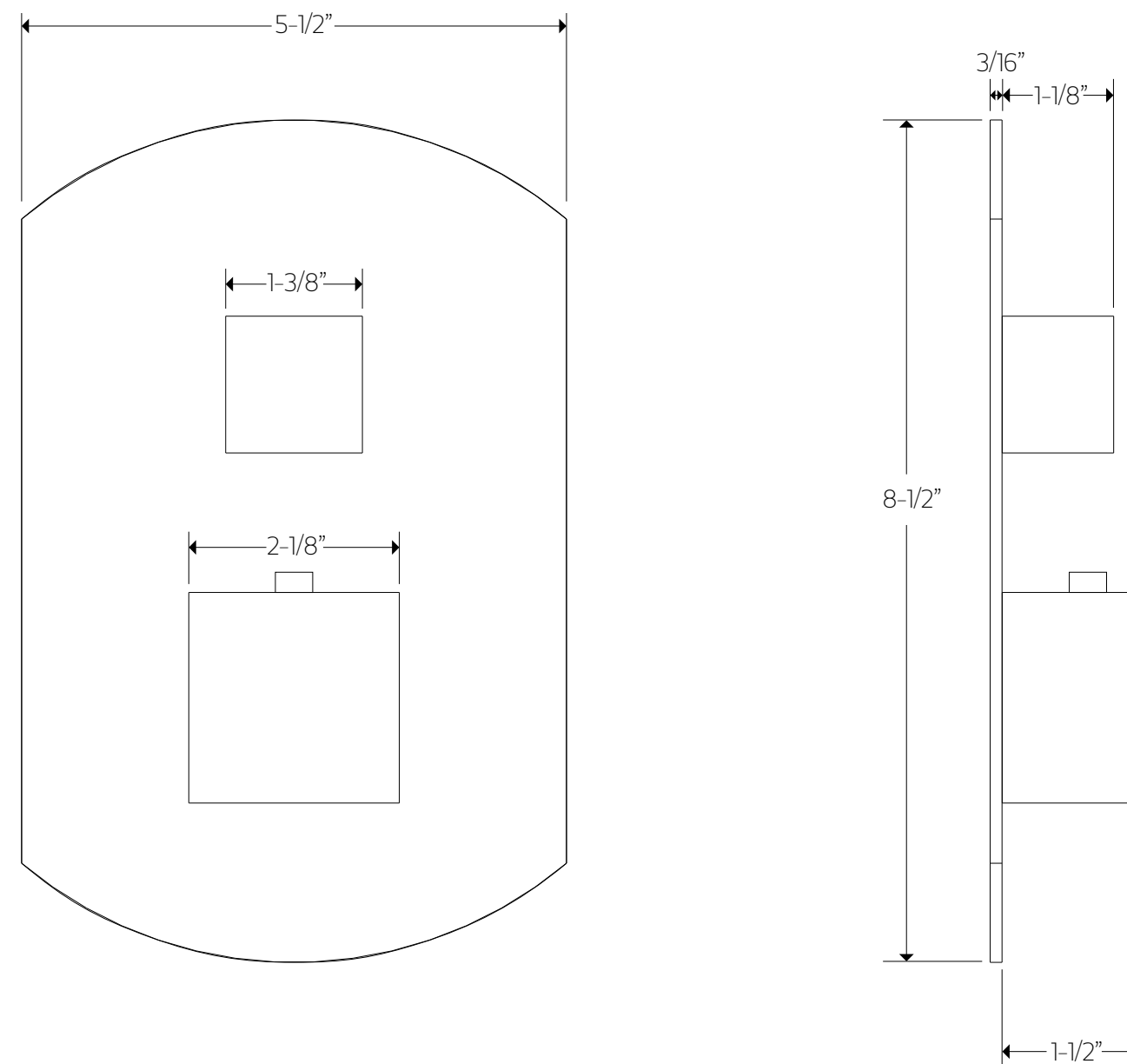
# artos®

PS118

premier series shower set

## PRODUCT DIMENSIONS

for F903B-55TK



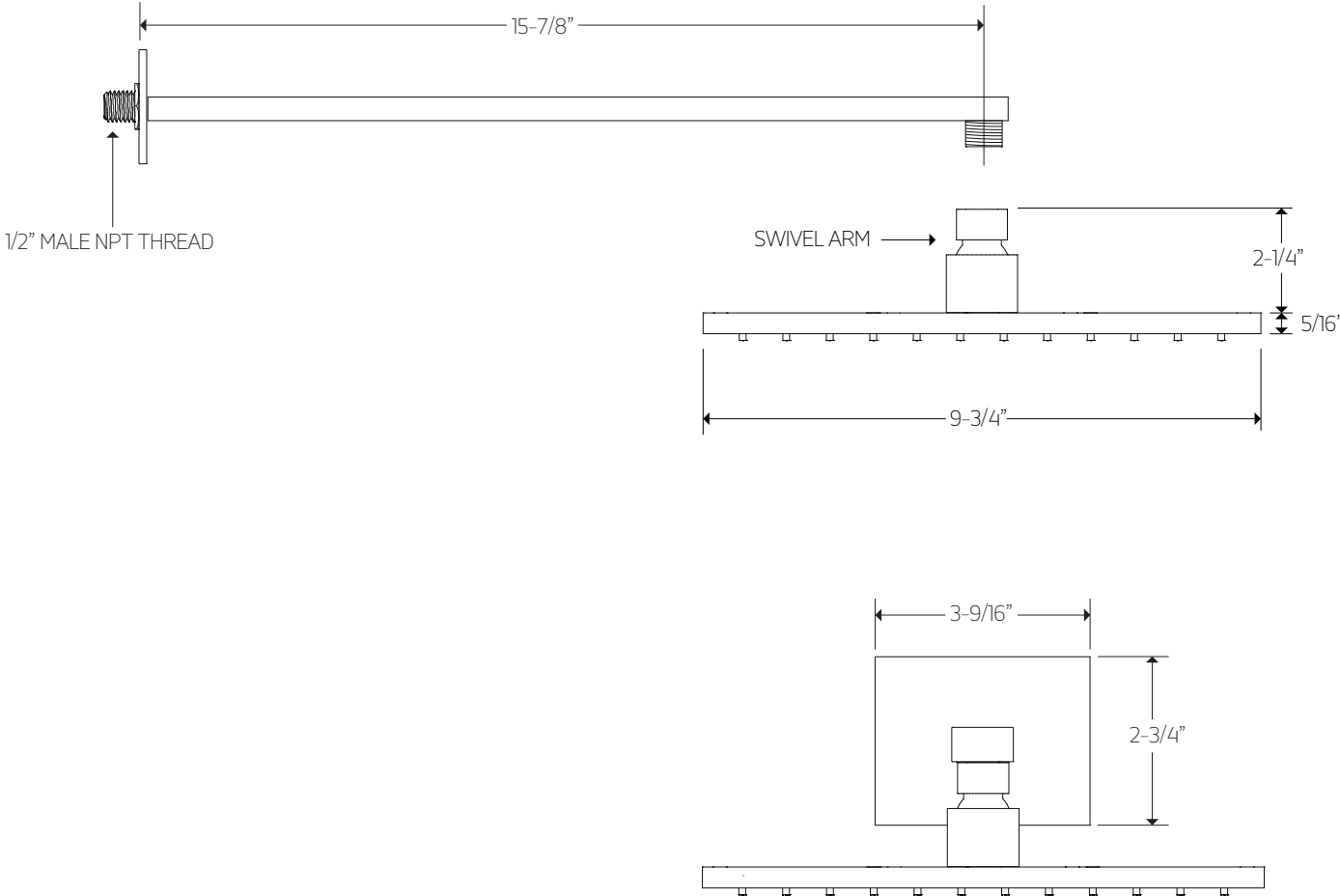
# artos<sup>®</sup>

PS118

premier series shower set

## PRODUCT DIMENSIONS

for F901-9 & F703-1-ARZ



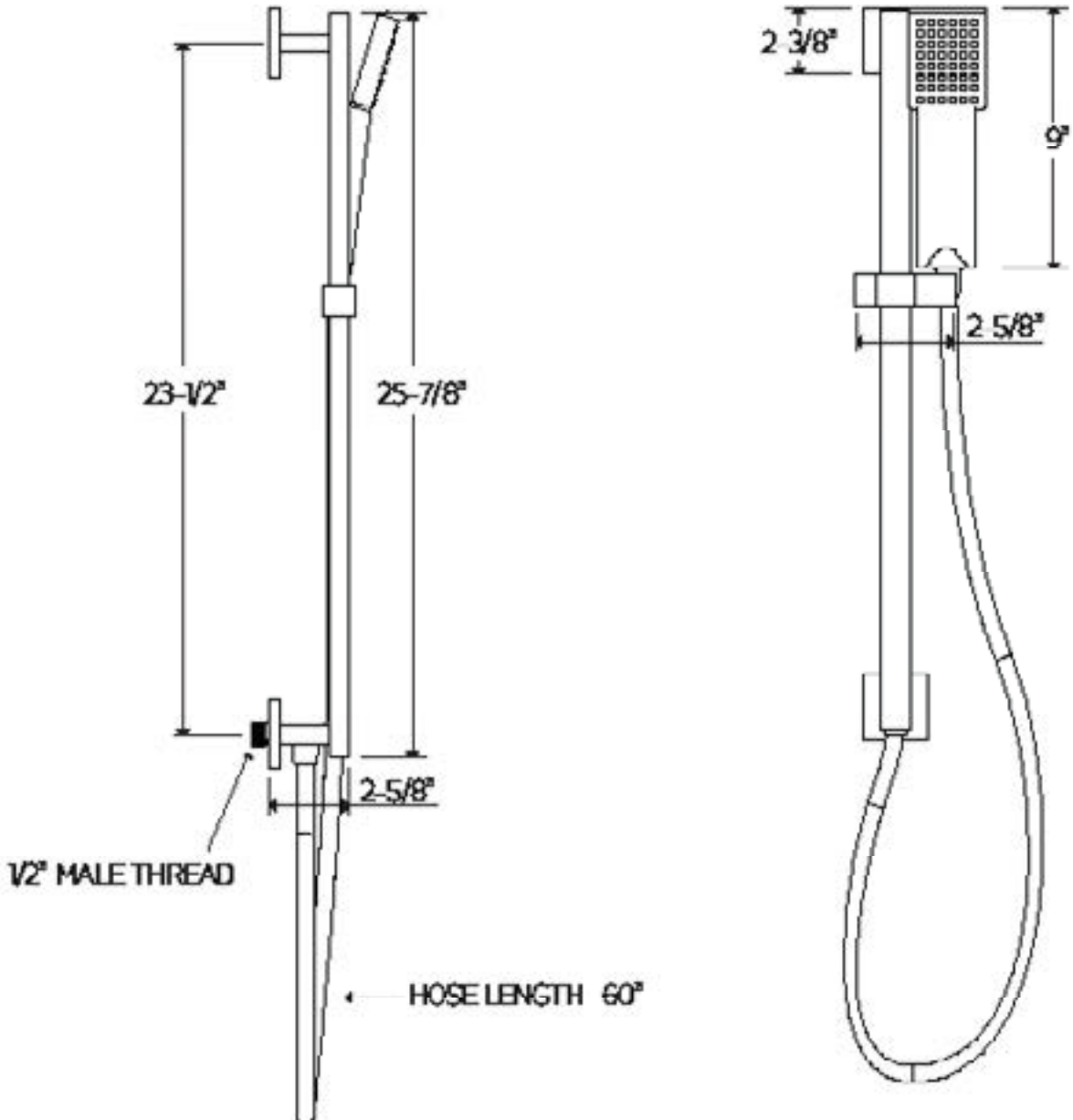
# artos<sup>®</sup>

PS118

premier series shower set

## PRODUCT DIMENSIONS

for F703-4



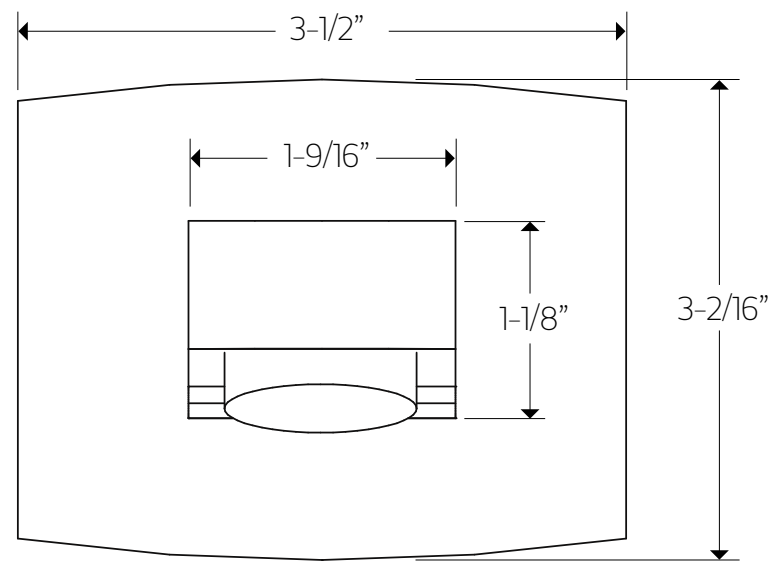
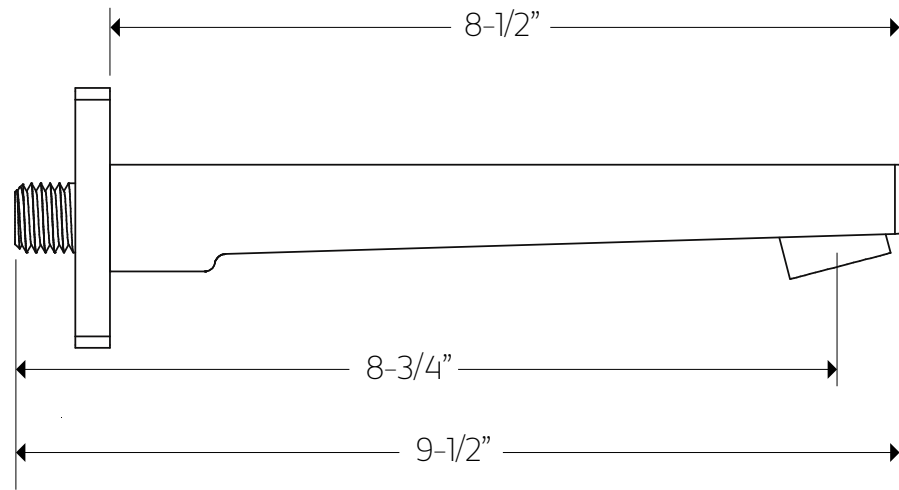
# artos®

## PS118

premier series shower set

### PRODUCT DIMENSIONS

for F702-3



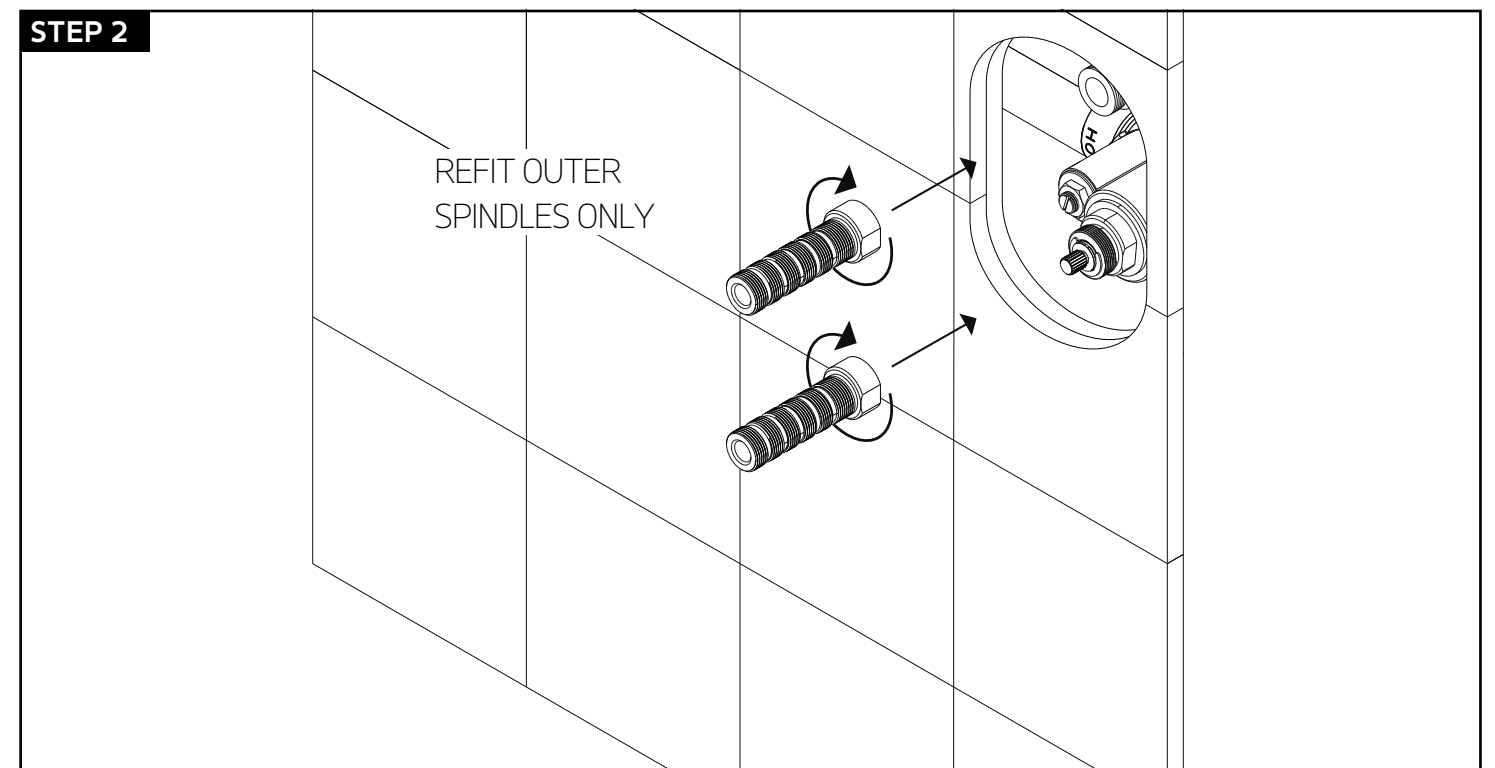
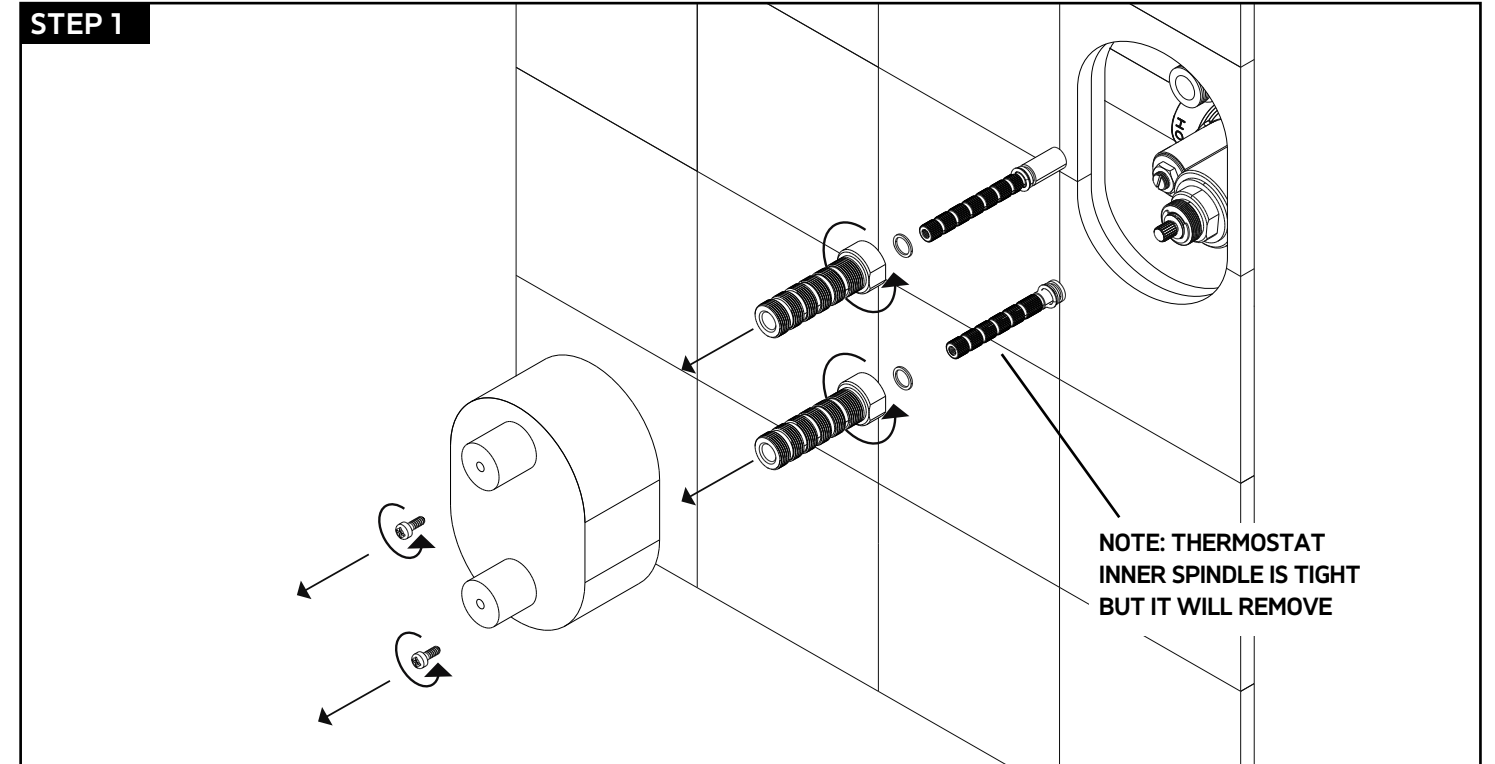
# artos®

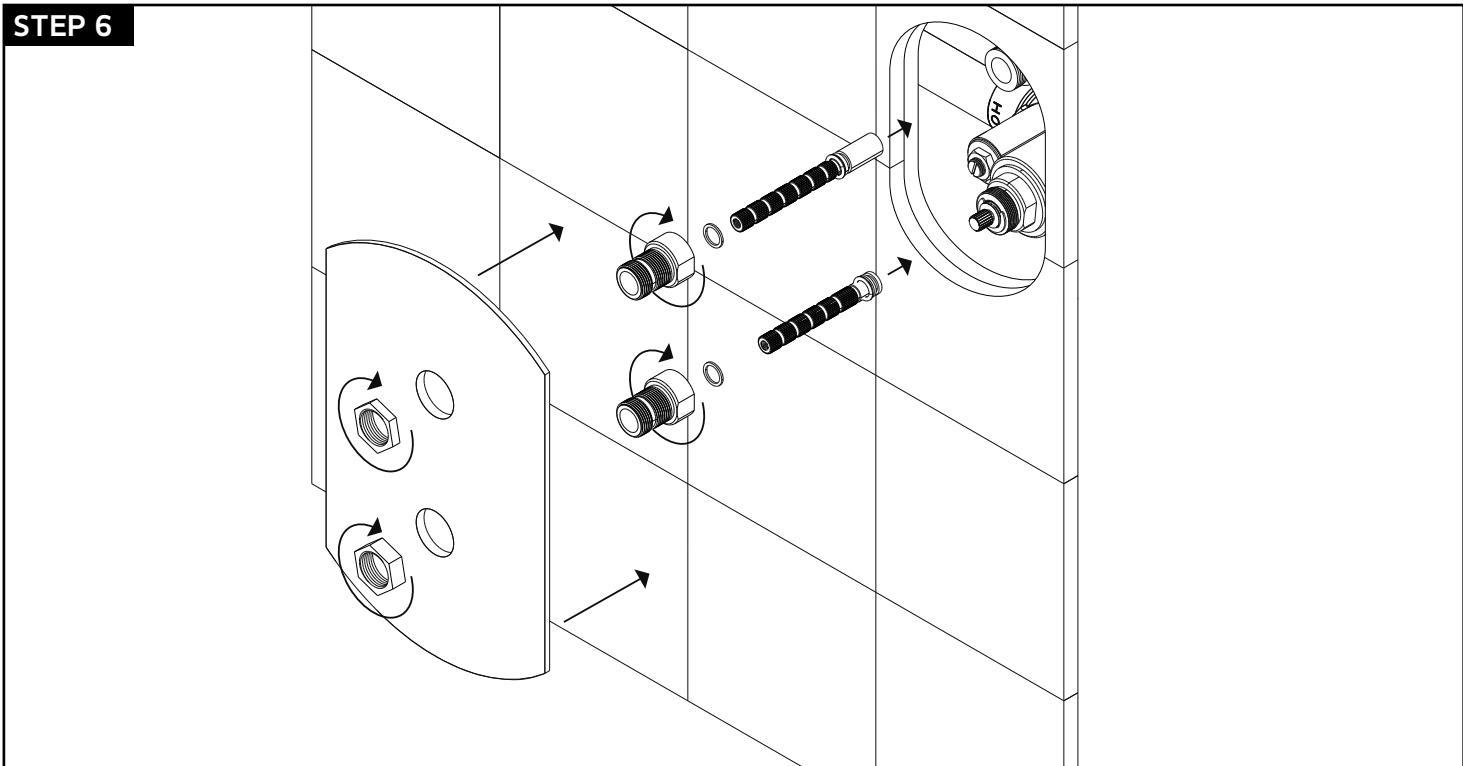
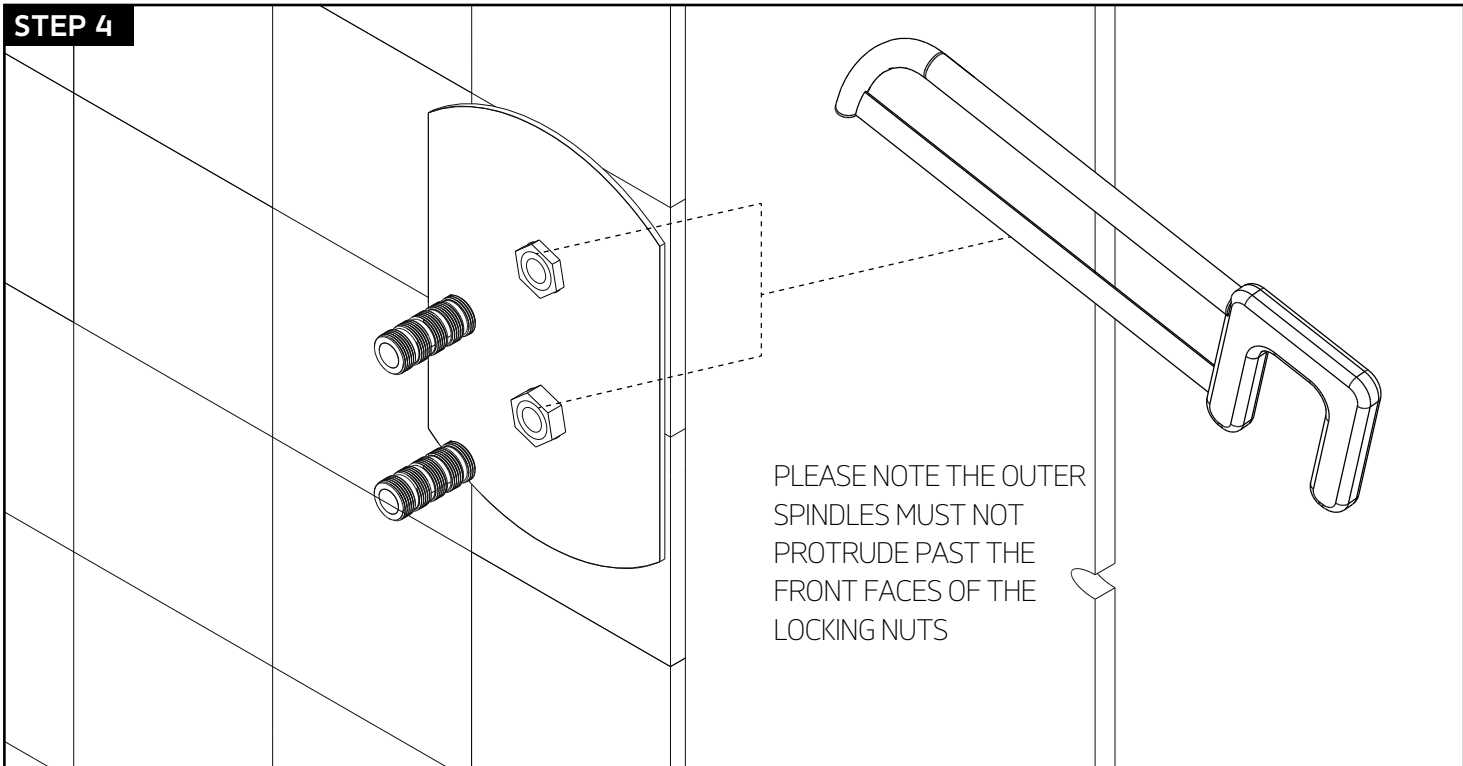
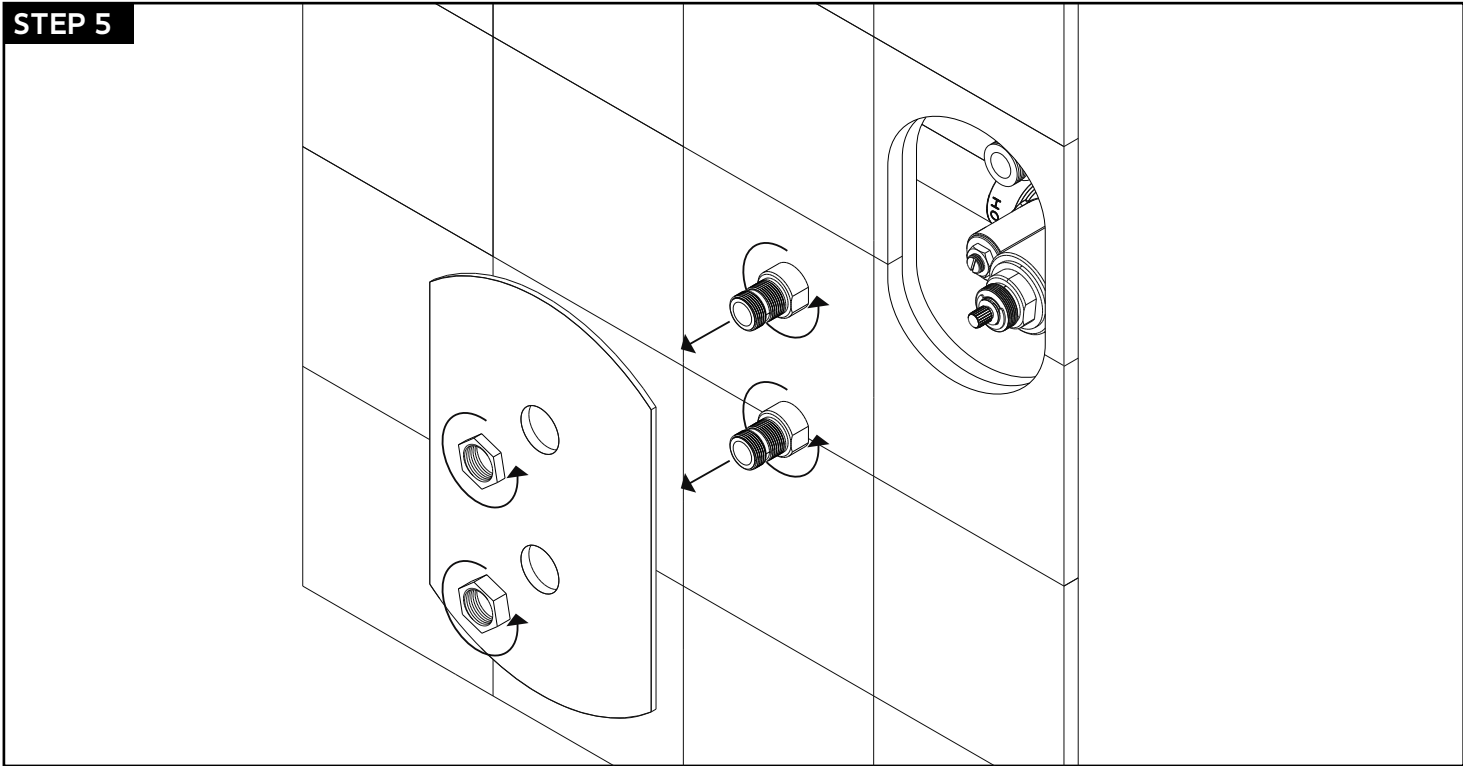
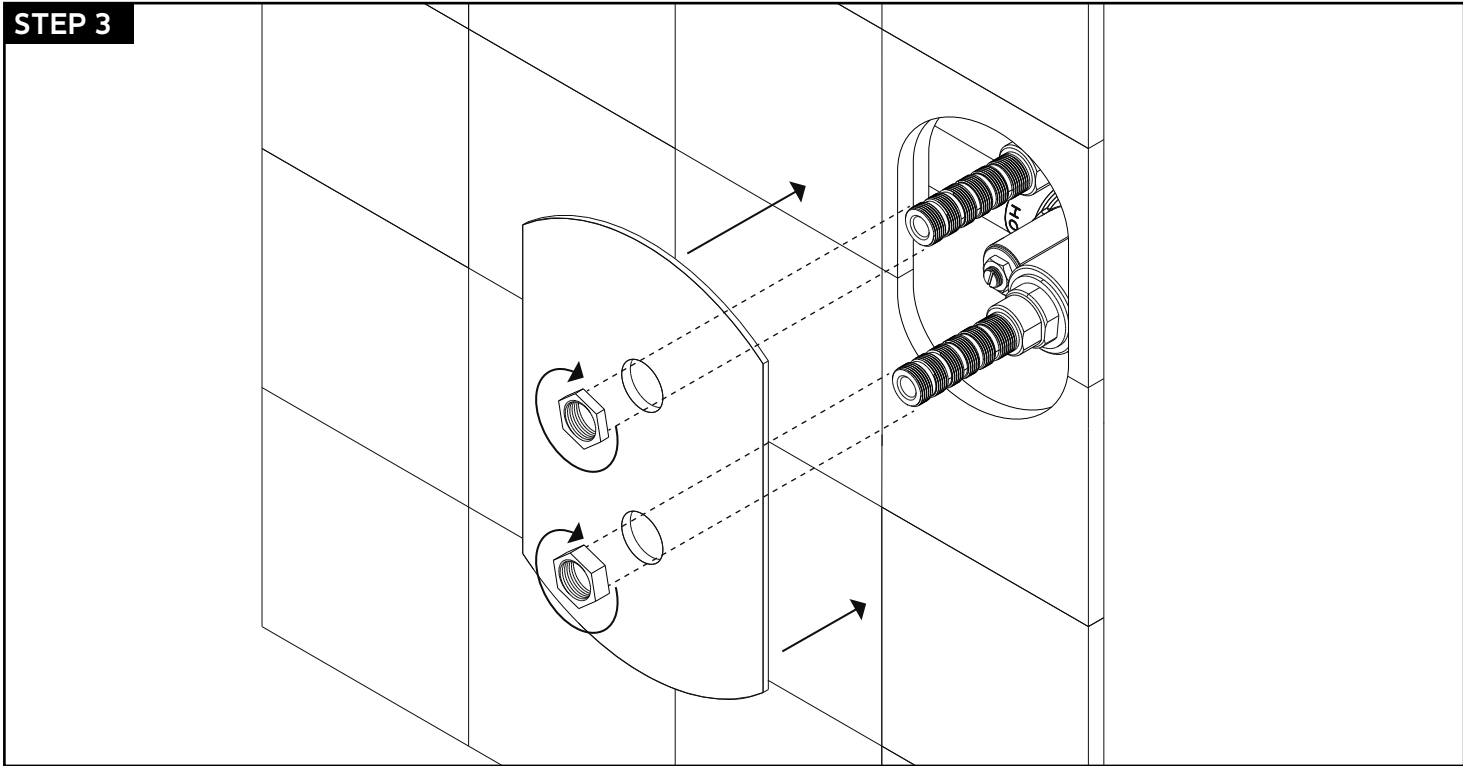
## PS118

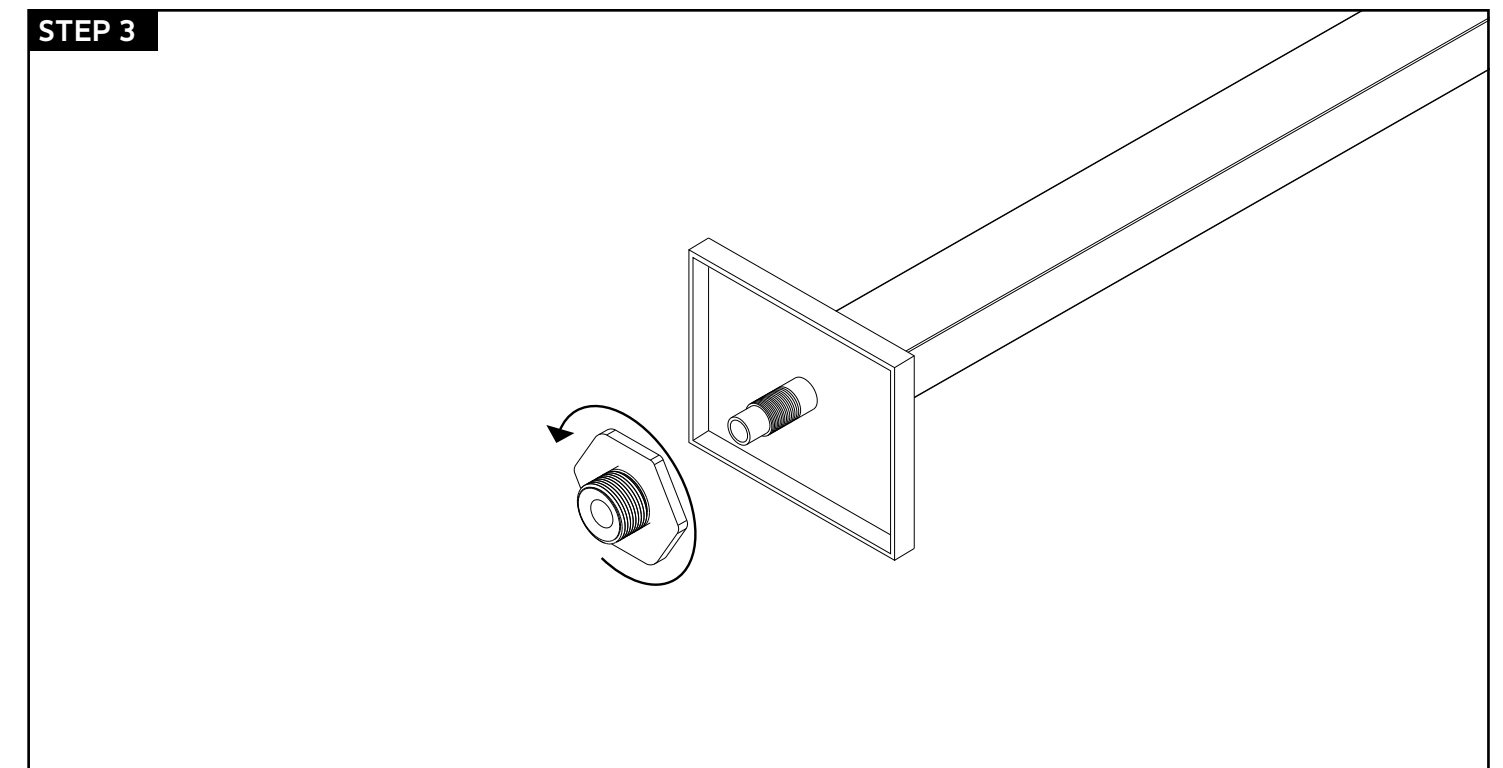
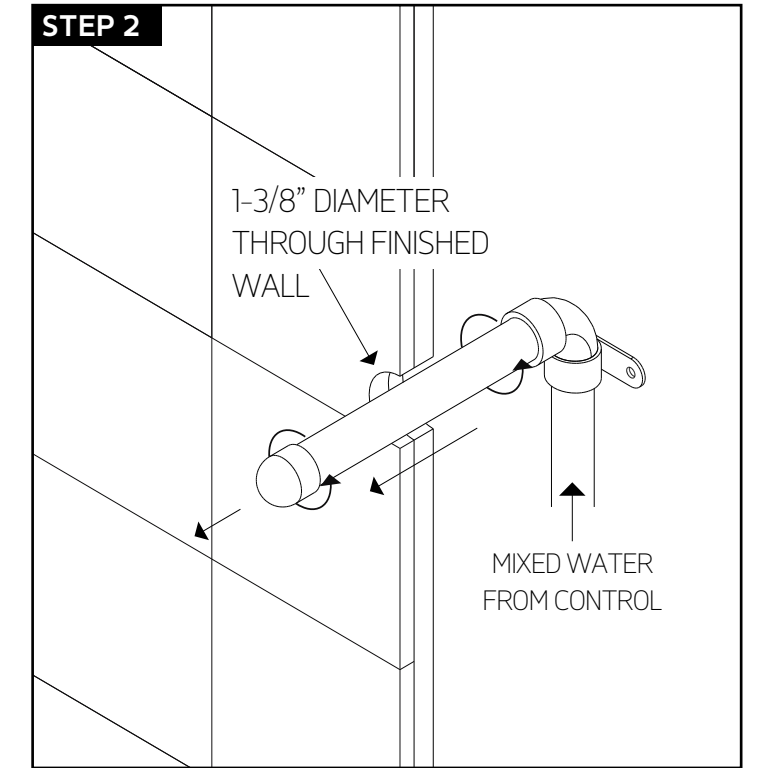
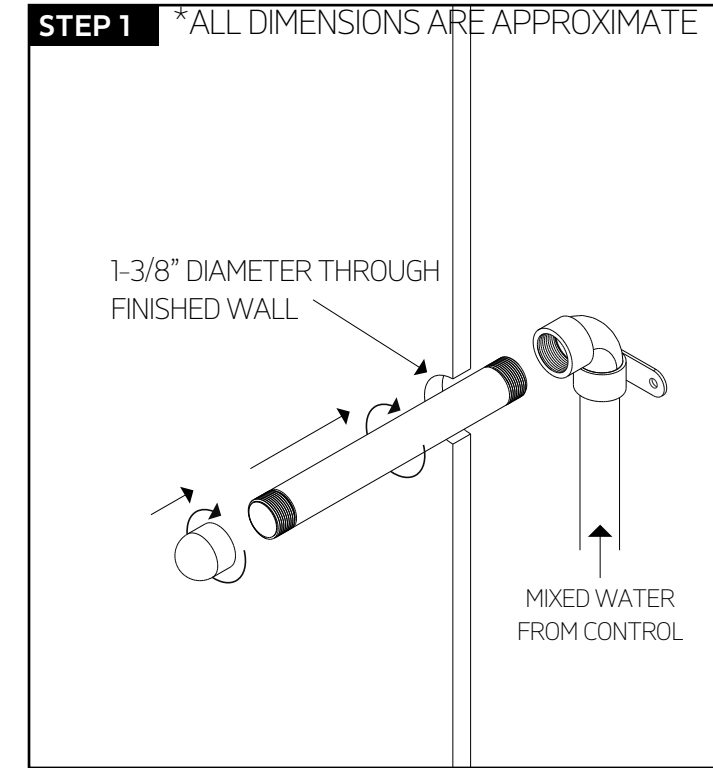
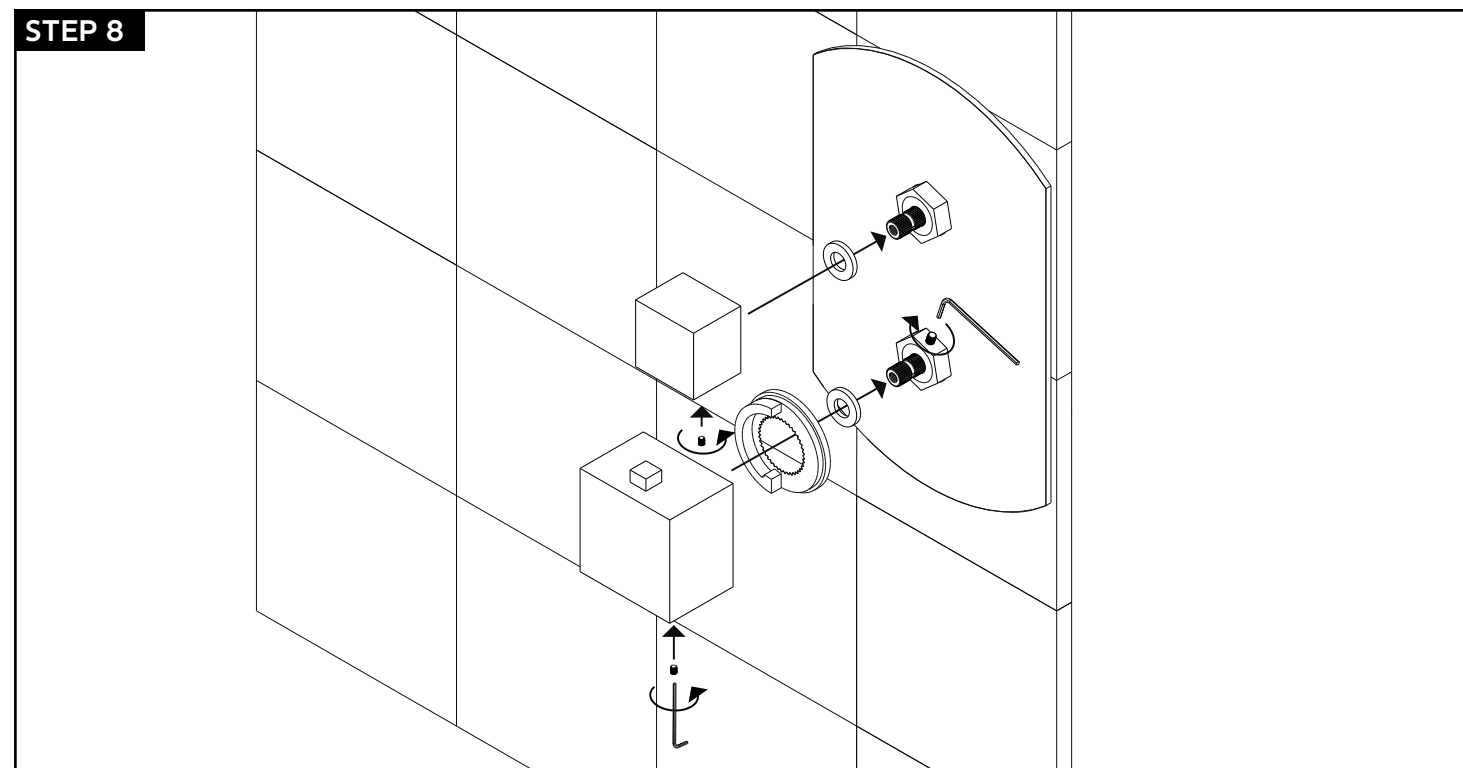
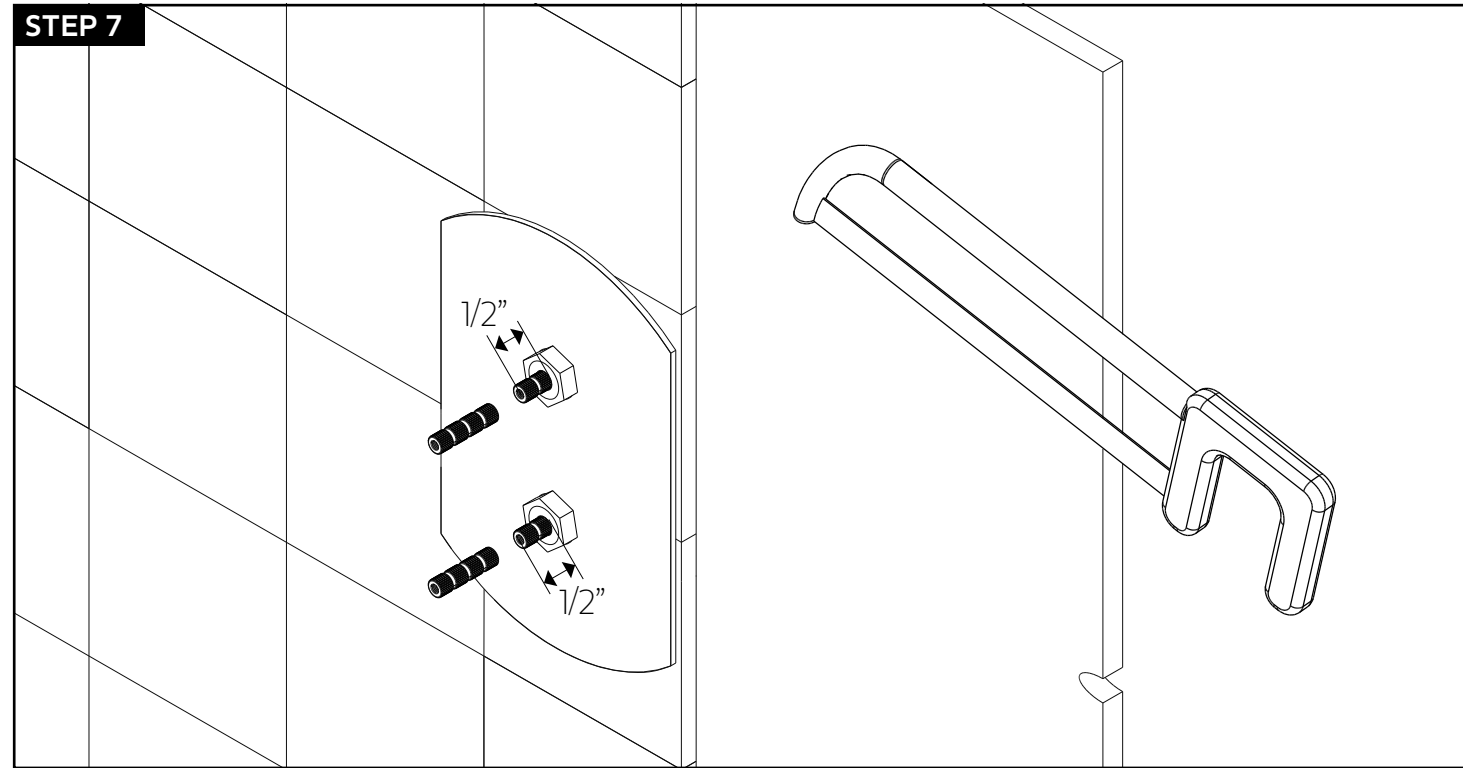
premier series shower set

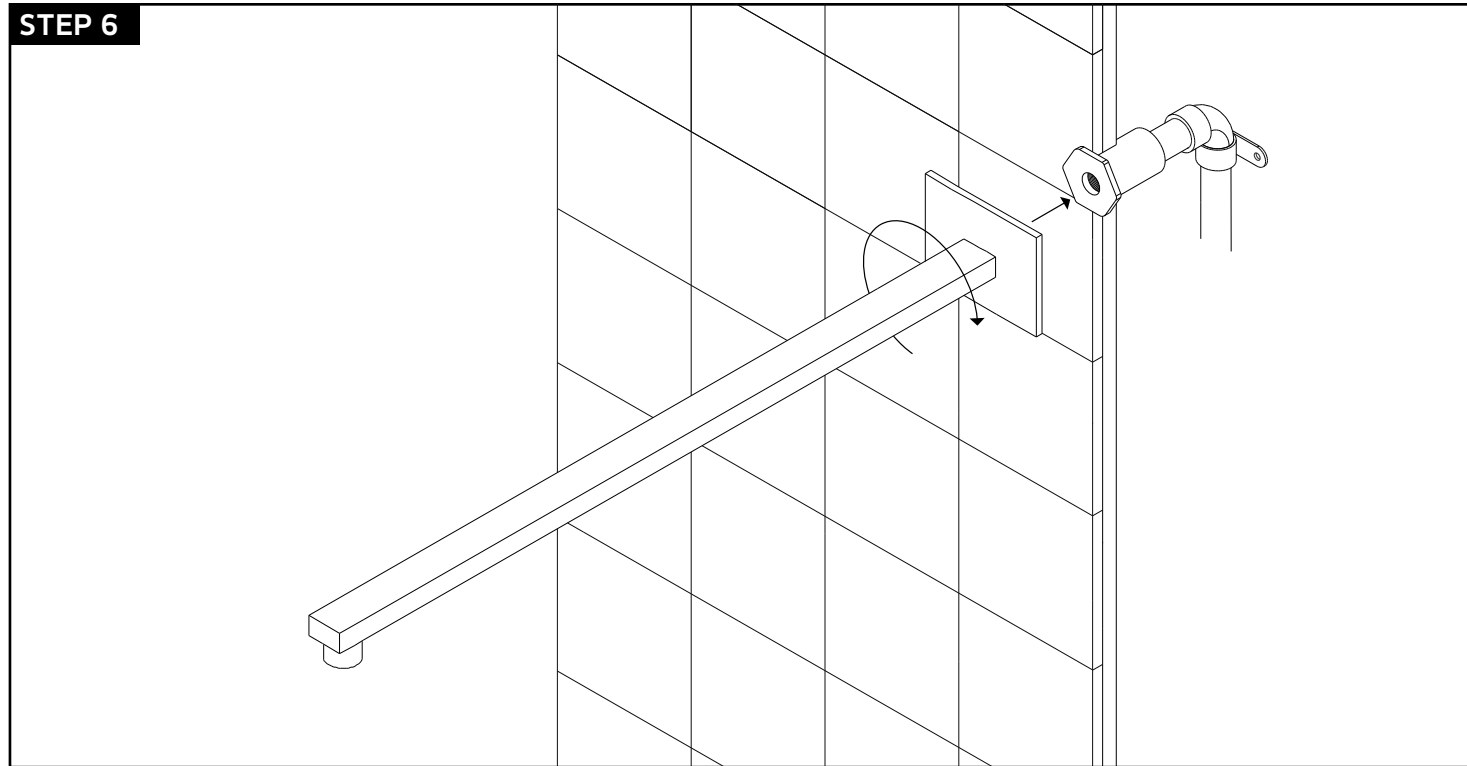
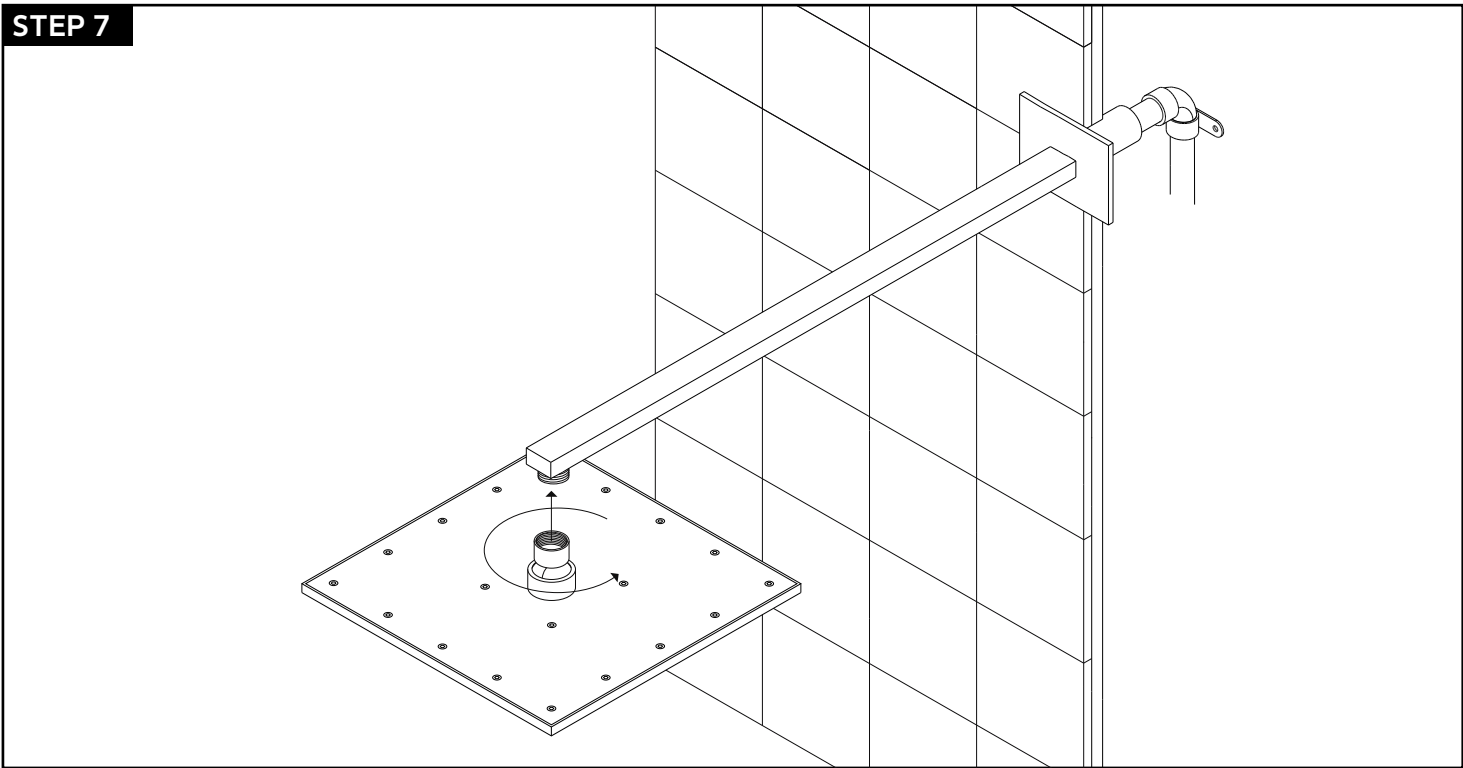
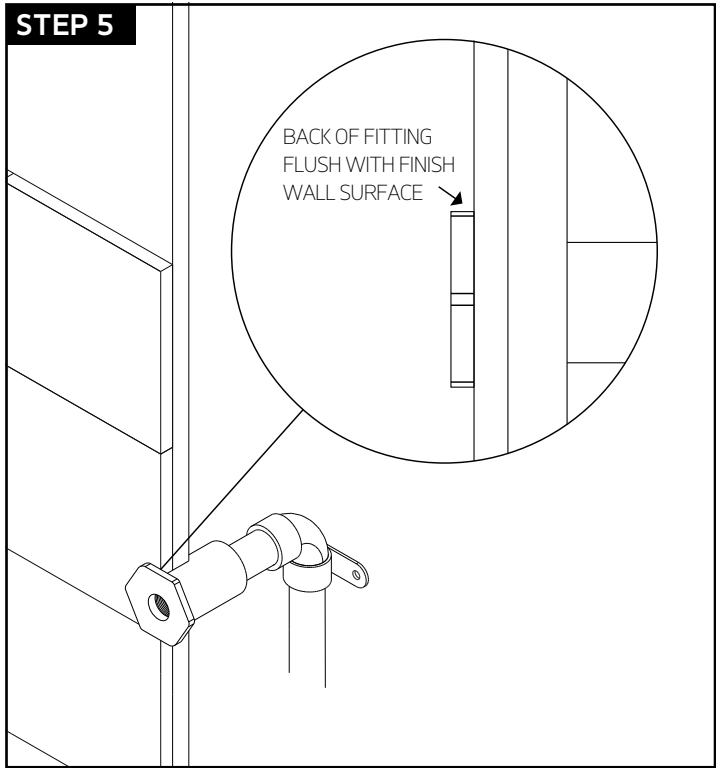
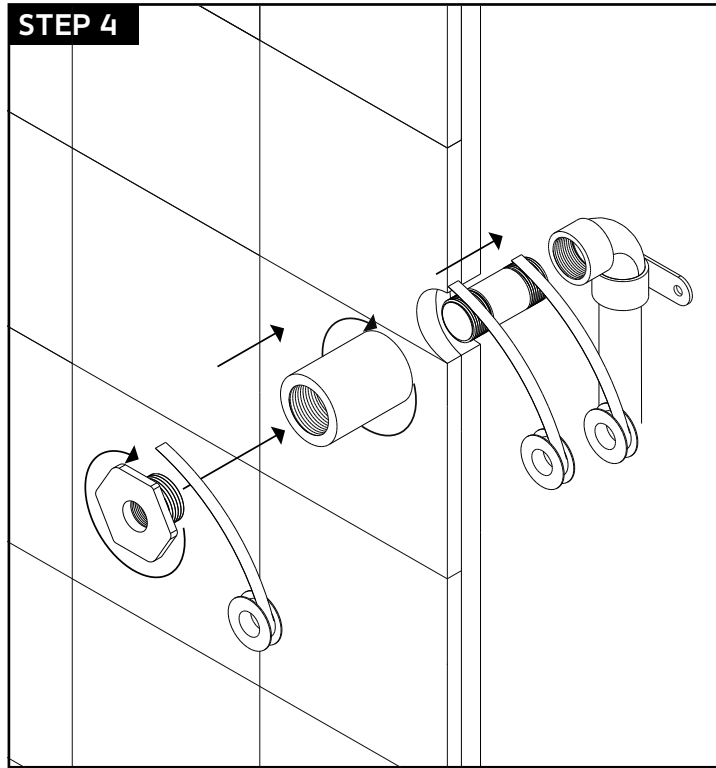
### INSTALLATION STEPS

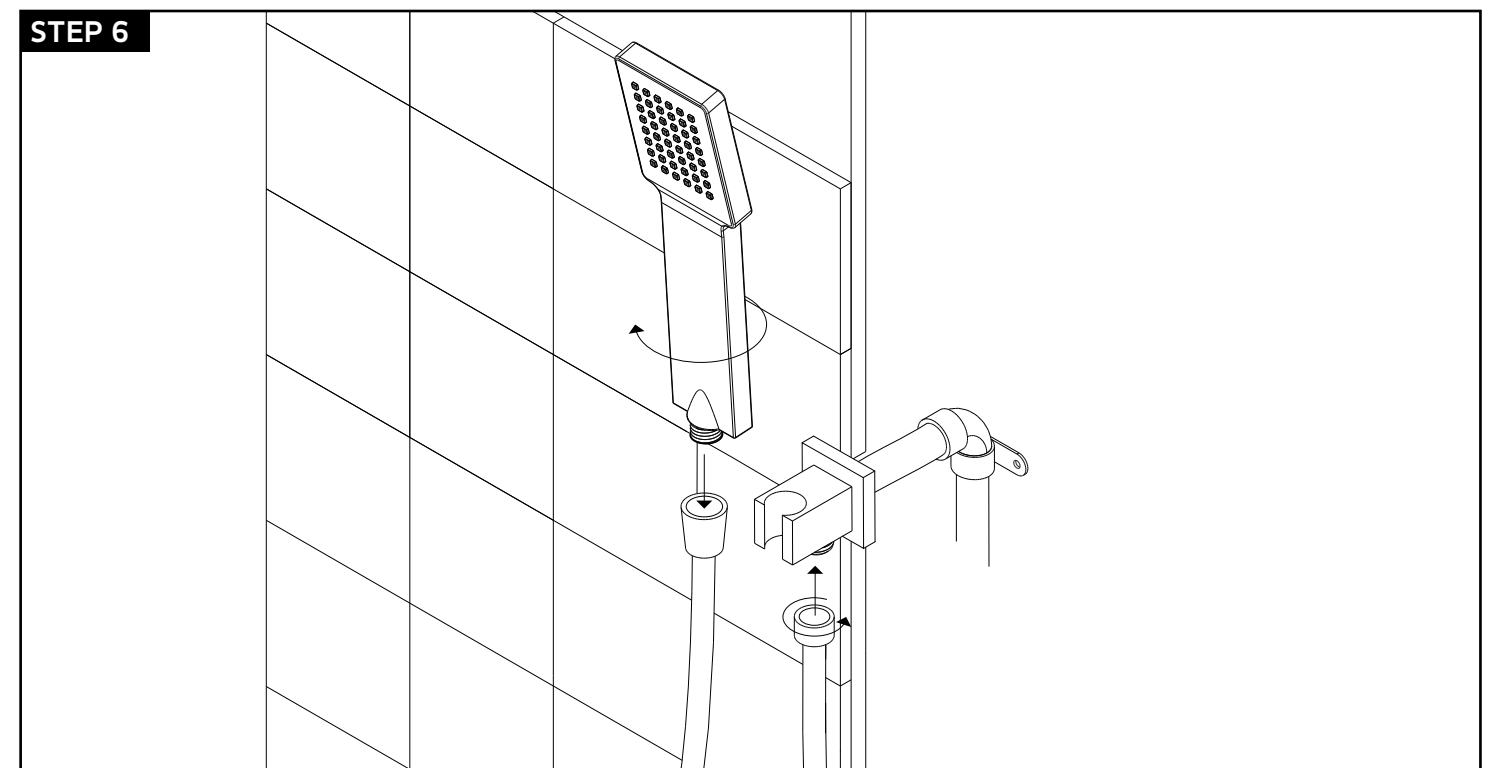
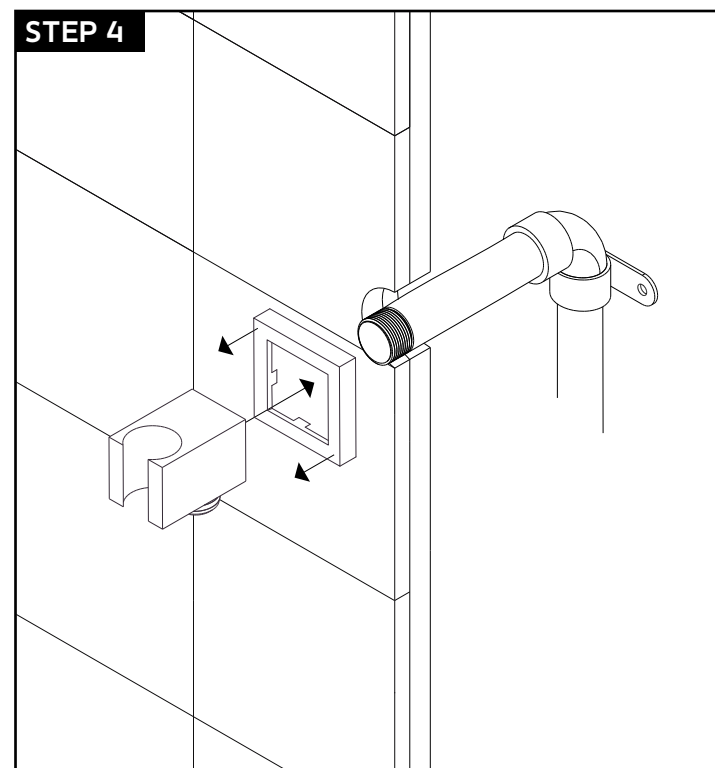
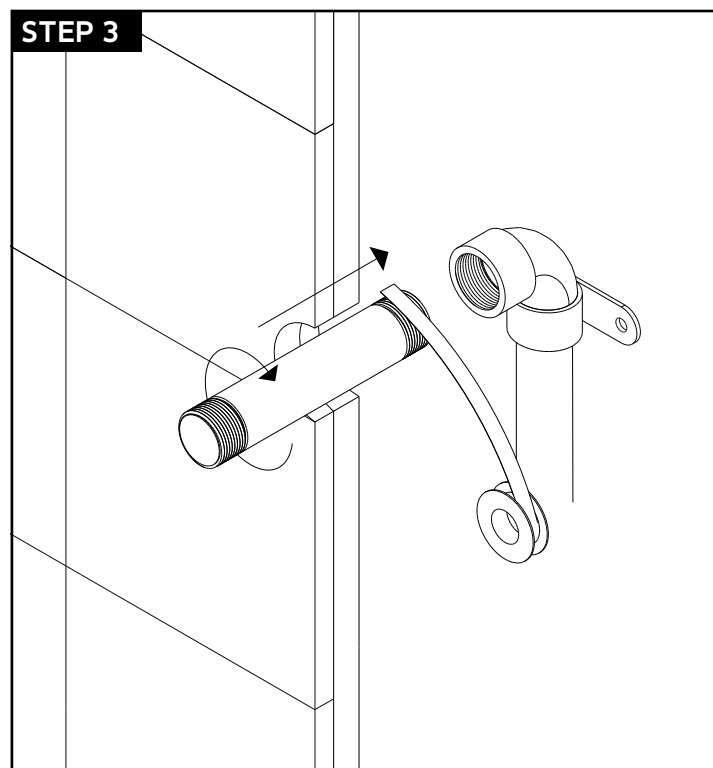
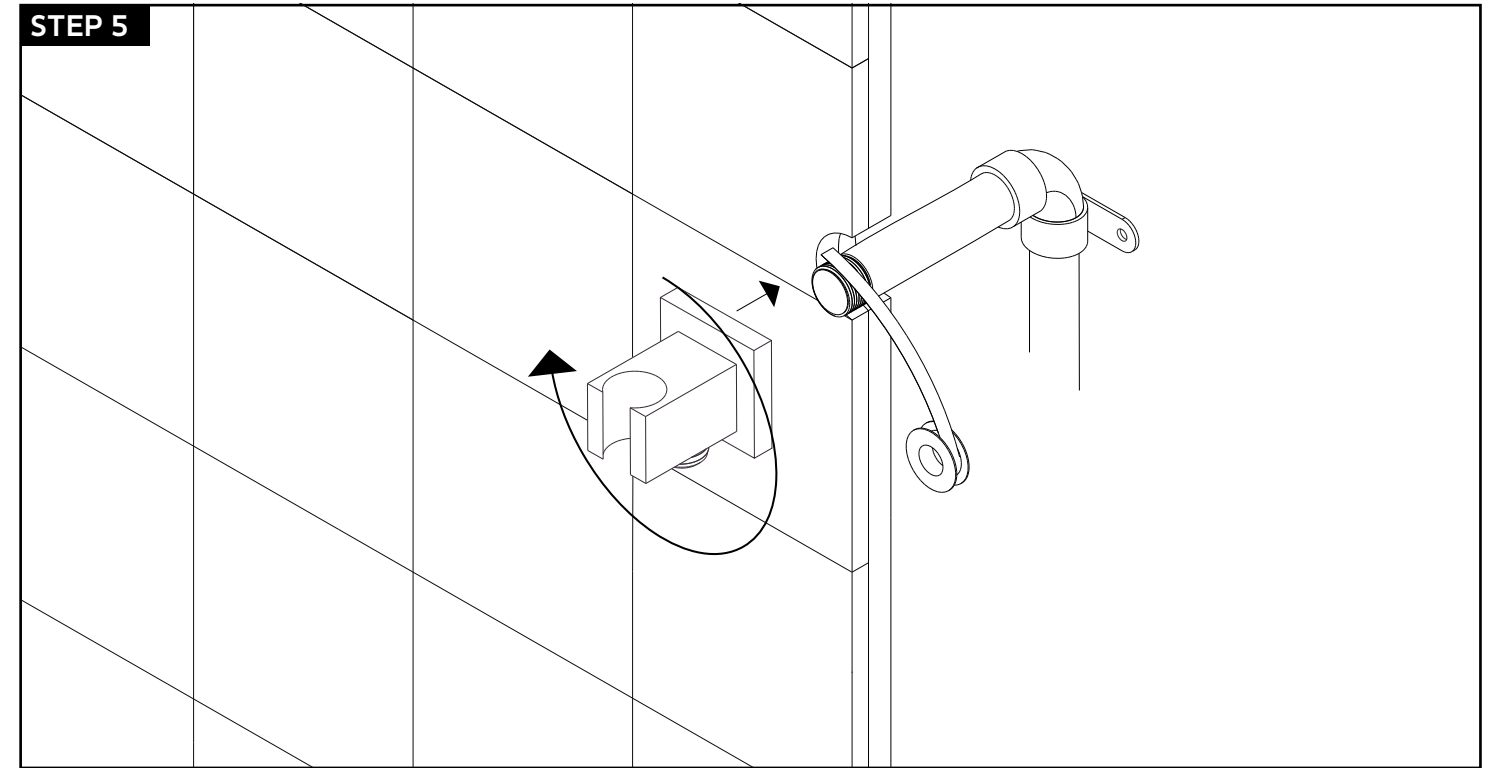
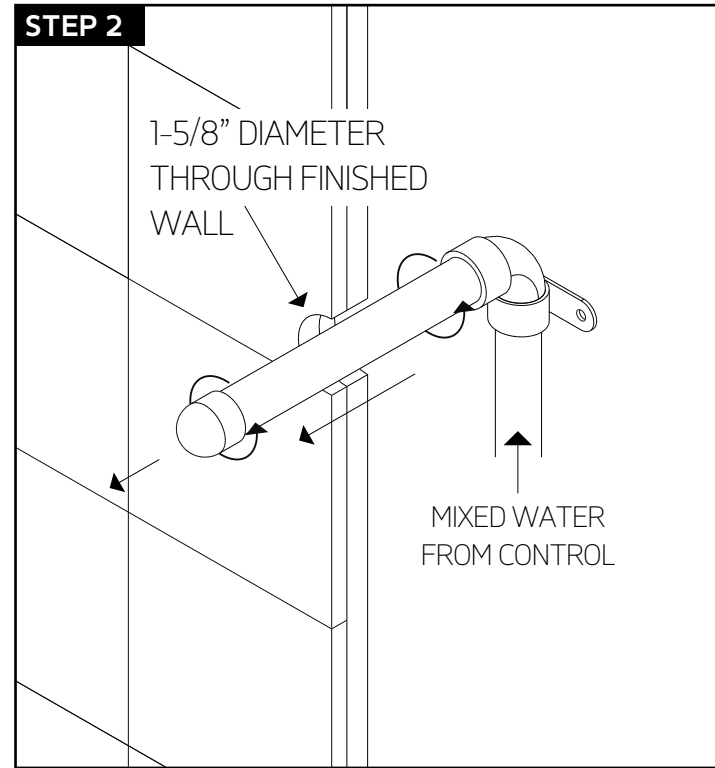
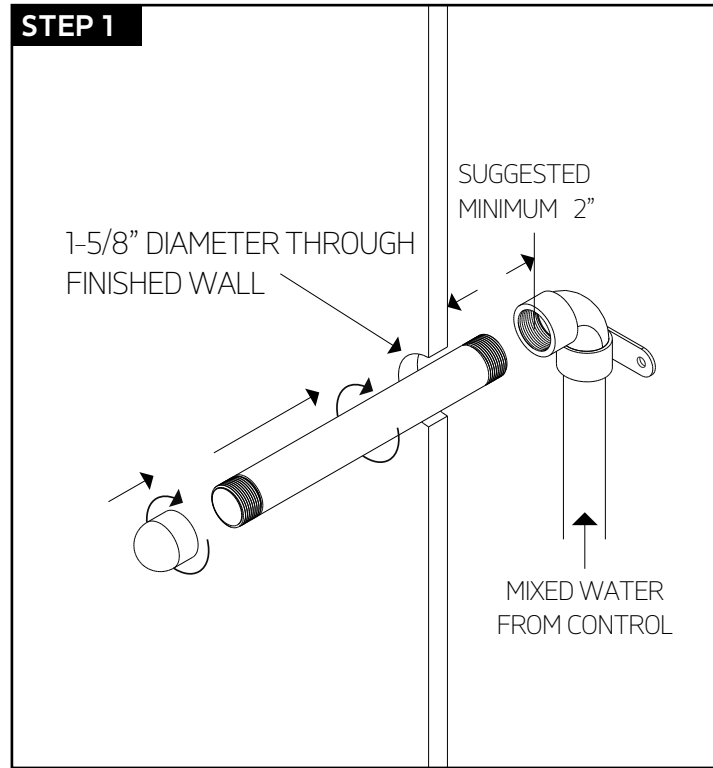
for F903B-55TK





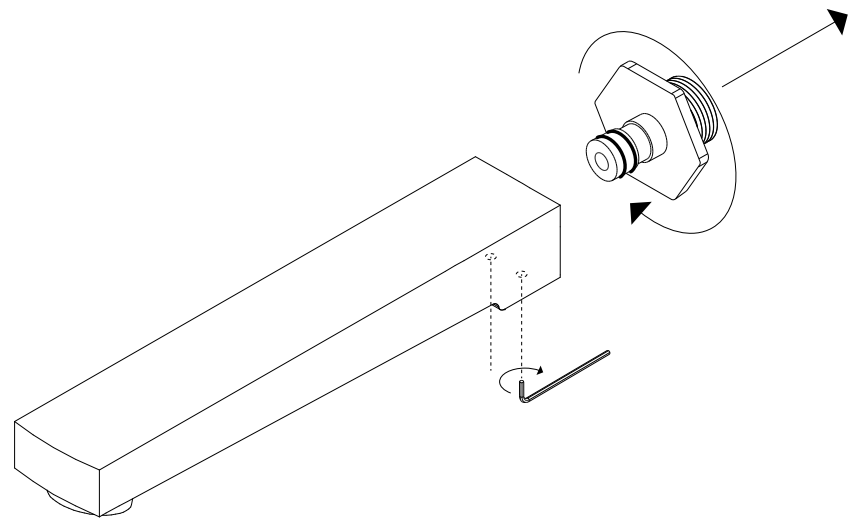




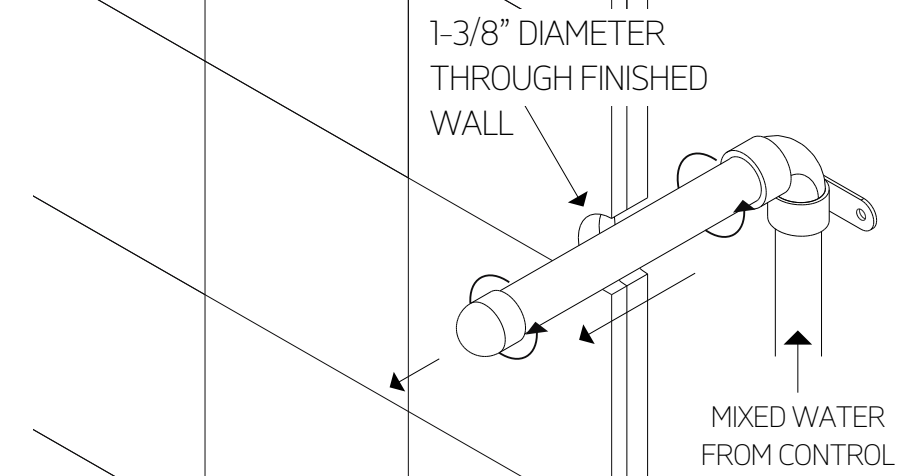




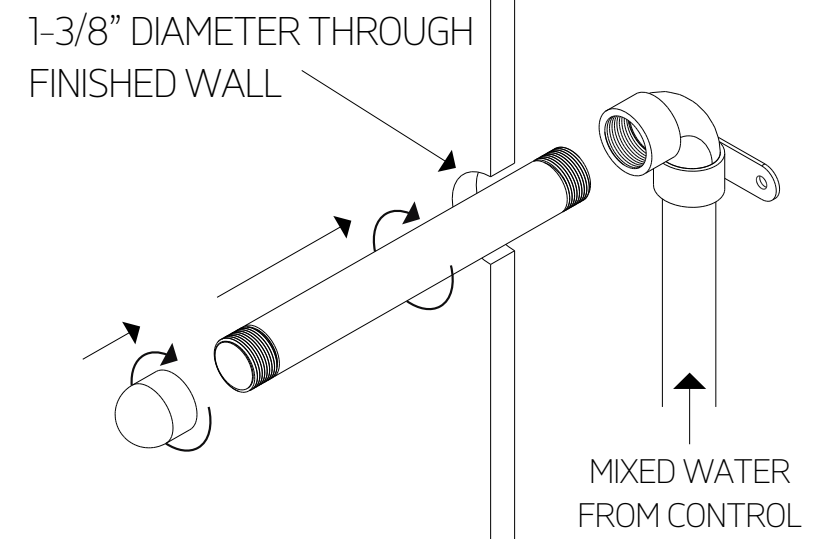
**STEP 1**



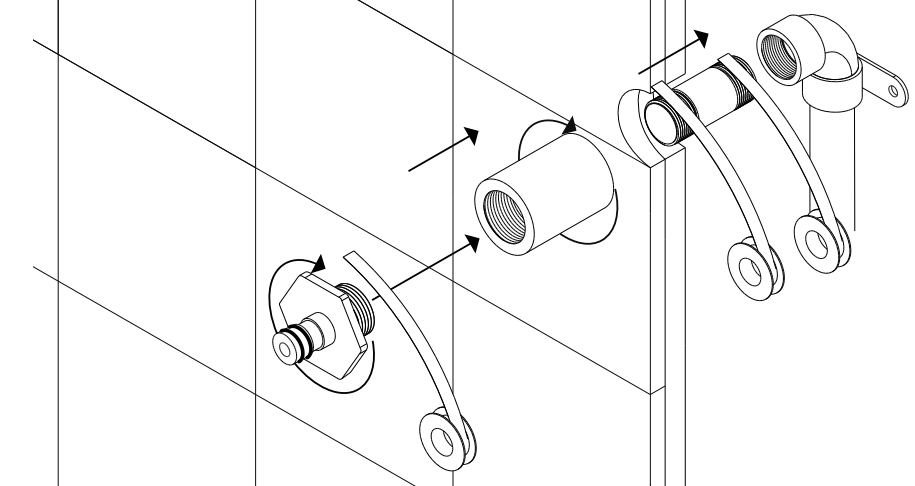
**STEP 3**

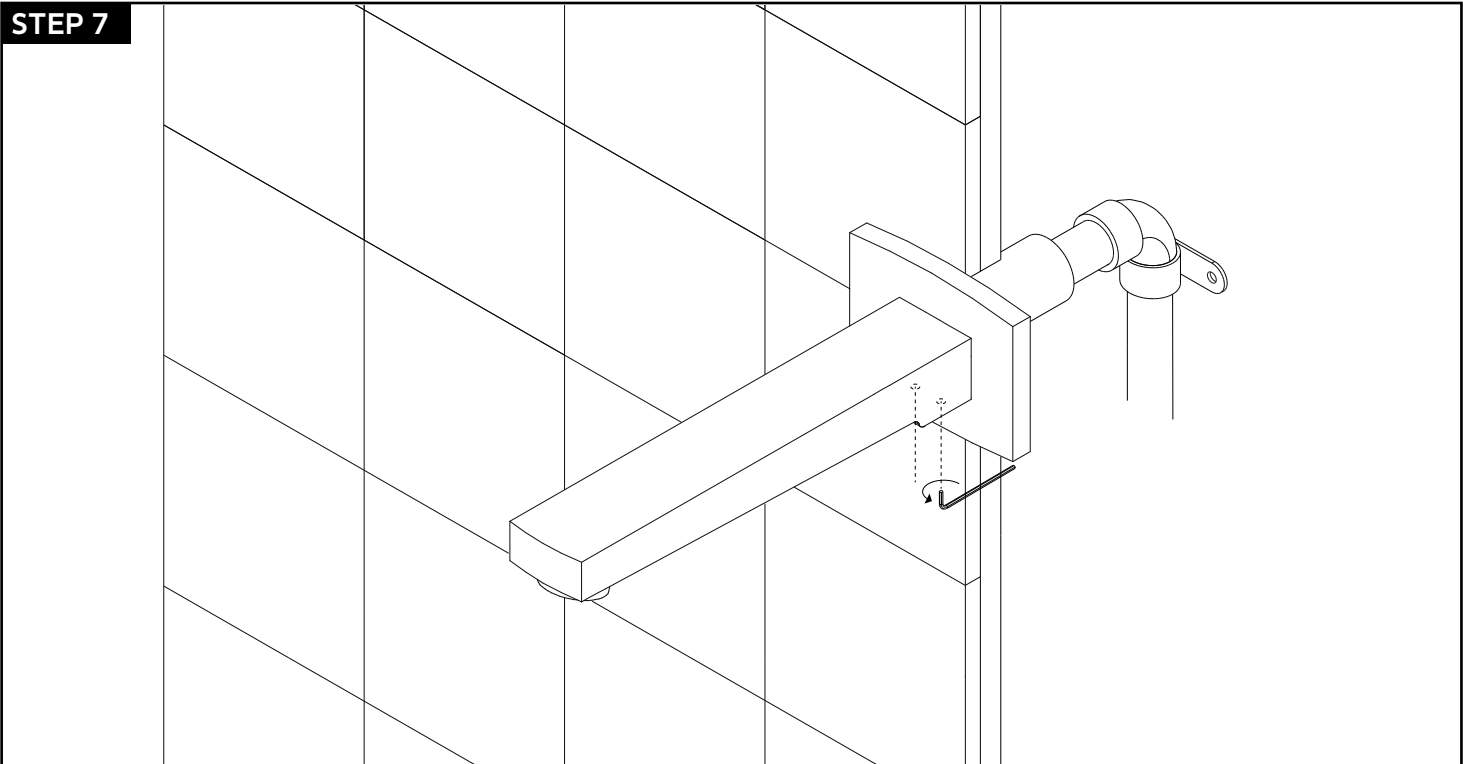
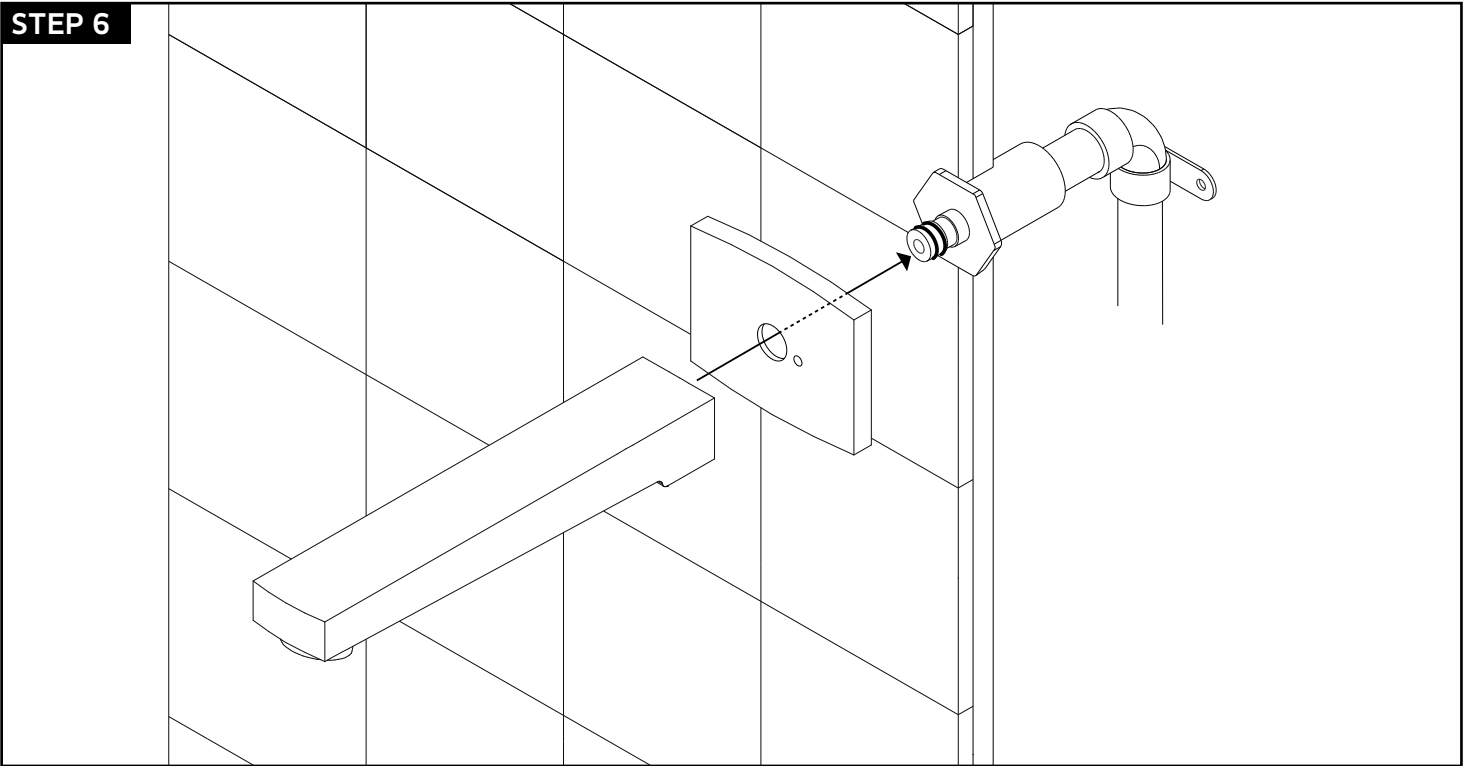
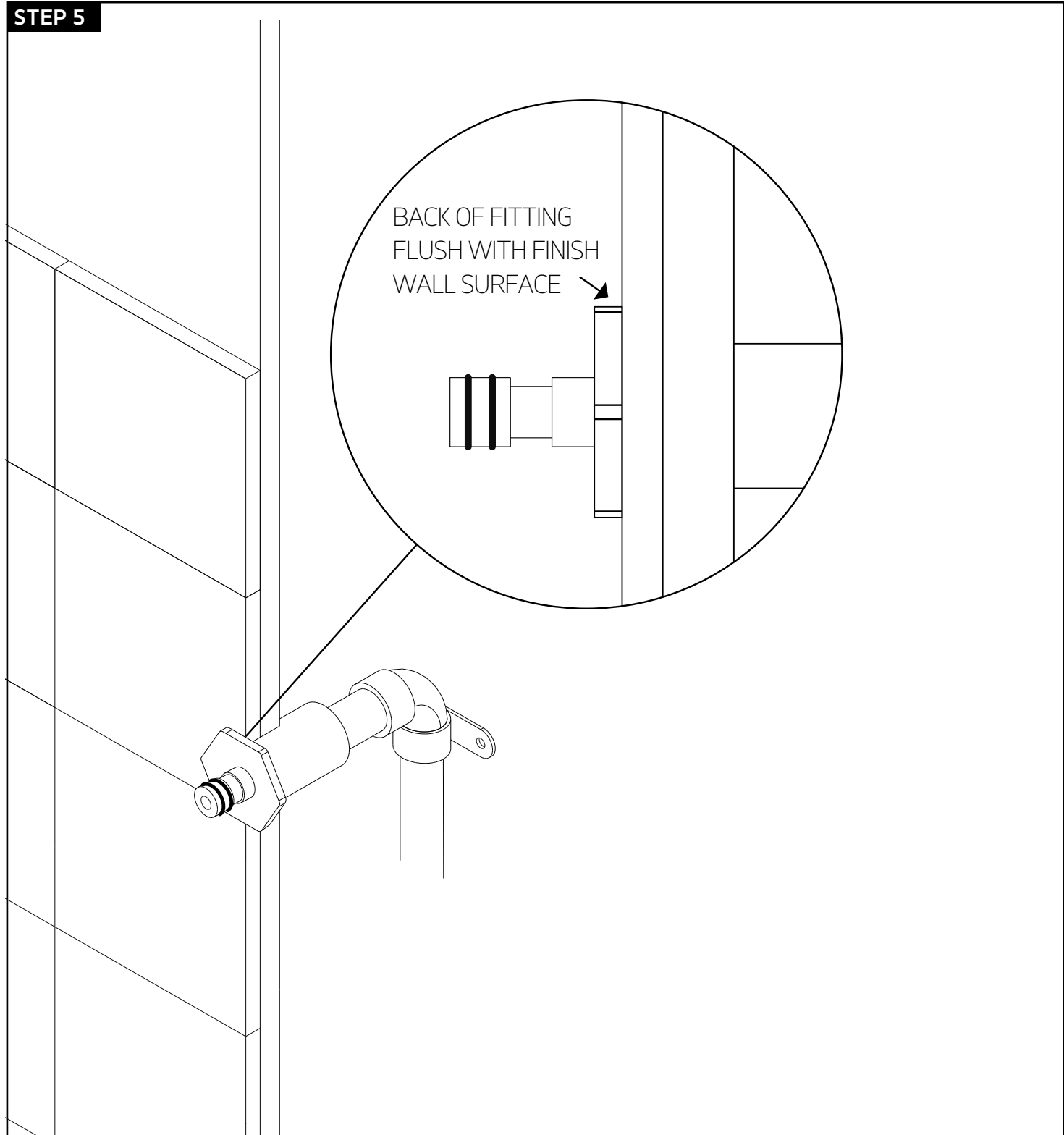


**STEP 2**



**STEP 4**





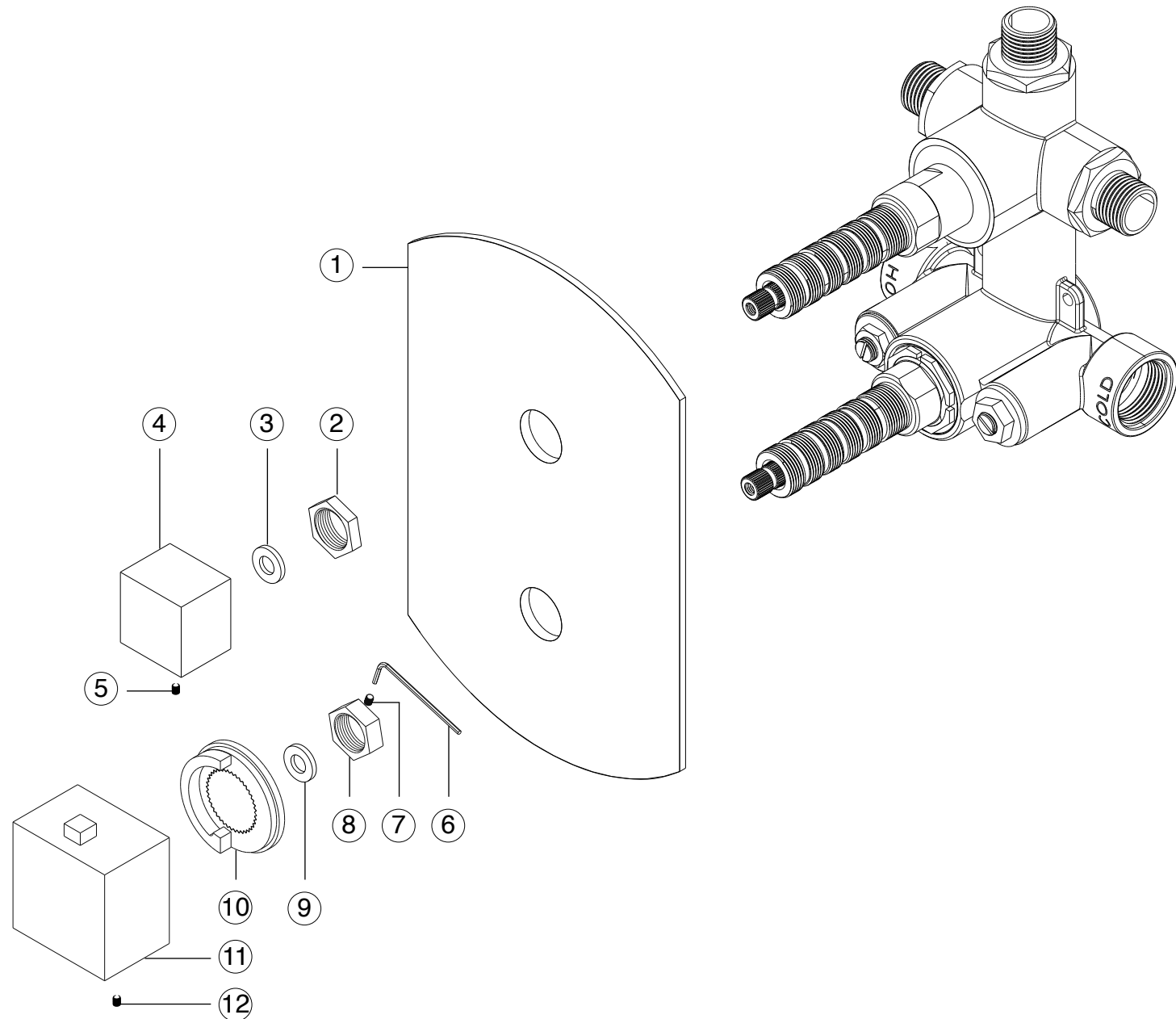
# artos®

PS118

premier series shower set

## PARTS BREAKDOWN

for F903B-55TK



- ① **ESCUTCHEON** F903B-55TK XP1
- ② **LOCKING NUT** F903B-55TK XP2
- ③ **NYLON WASHER** F903B-55TK XP3
- ④ **DIVERTER HANDLE** F903B-55TK XP4
- ⑤ **DIVERTER SET SCREW** F903B-55TK XP5
- ⑥ **ALLEN WRENCH** F903B-55TK XP6
- ⑦ **LOCKING NUT SET SCREW** F903B-55TK XP7
- ⑧ **THERMOSTAT LOCKING NUT** F903B-55TK XP8
- ⑨ **NYLON WASHER** F903B-55TK XP9
- ⑩ **TEMPERATURE LIMITING RING** F903B-55TK XP10
- ⑪ **THERMOSTAT HANDLE** F903B-55TK XP11
- ⑫ **THERMOSTAT SET SCREW** F903B-55TK XP12

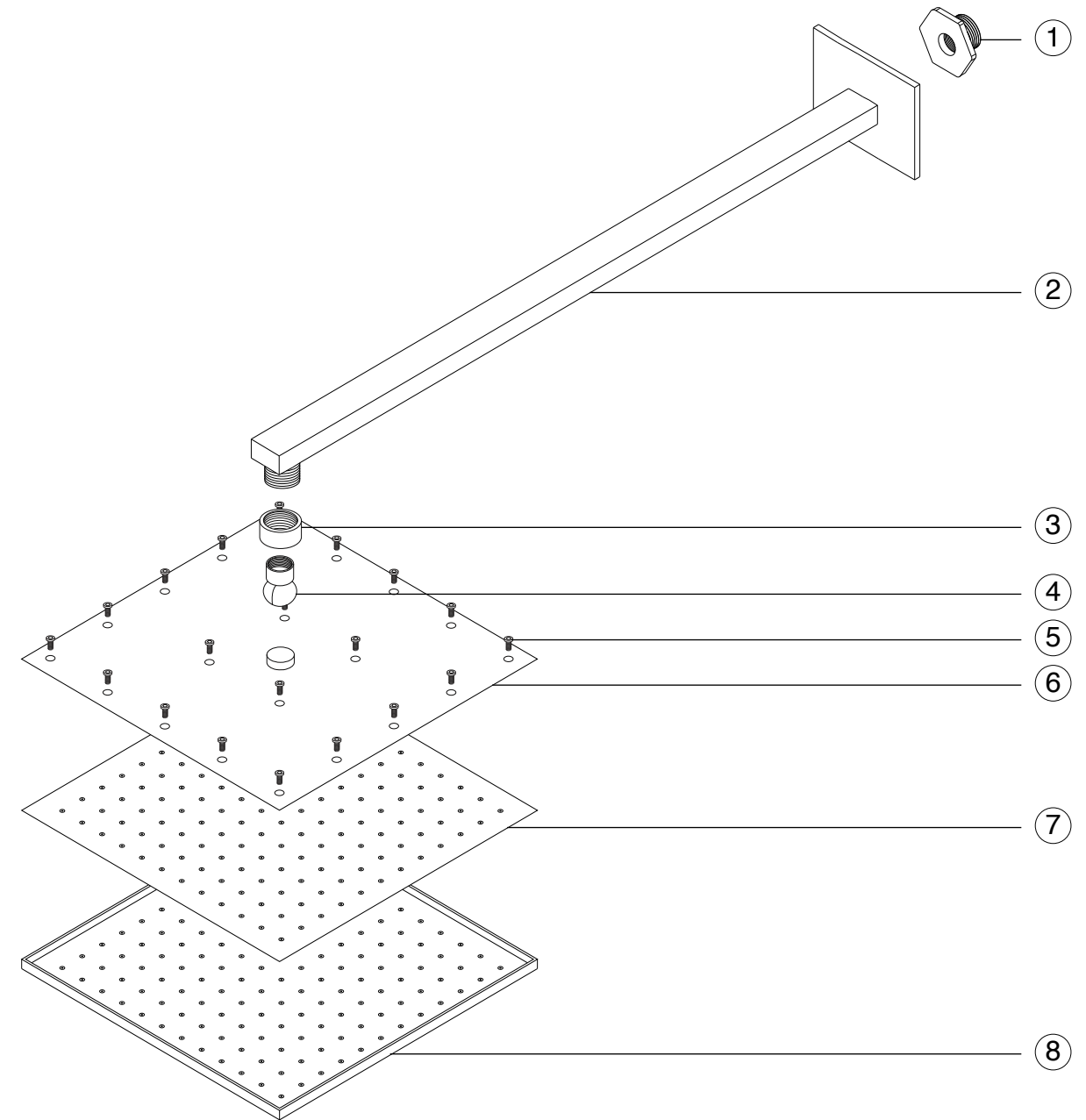
# artos®

PS118

premier series shower set

## PARTS BREAKDOWN

for F901-9 & F703-1-ARZ



- ① **SHOWER FITTING** XP1
- ② **SHOWER ARM** XP2
- ③ **SWIVEL ARM SECURING NUT** XP3
- ④ **SWIVEL ARM** XP4
- ⑤ **SHOWER HEAD SCREWS** XP5
- ⑥ **SHOWER HEAD TOP** XP6
- ⑦ **RUBBER MATRIX** XP7
- ⑧ **SHOWER HEAD BOTTOM** XP8

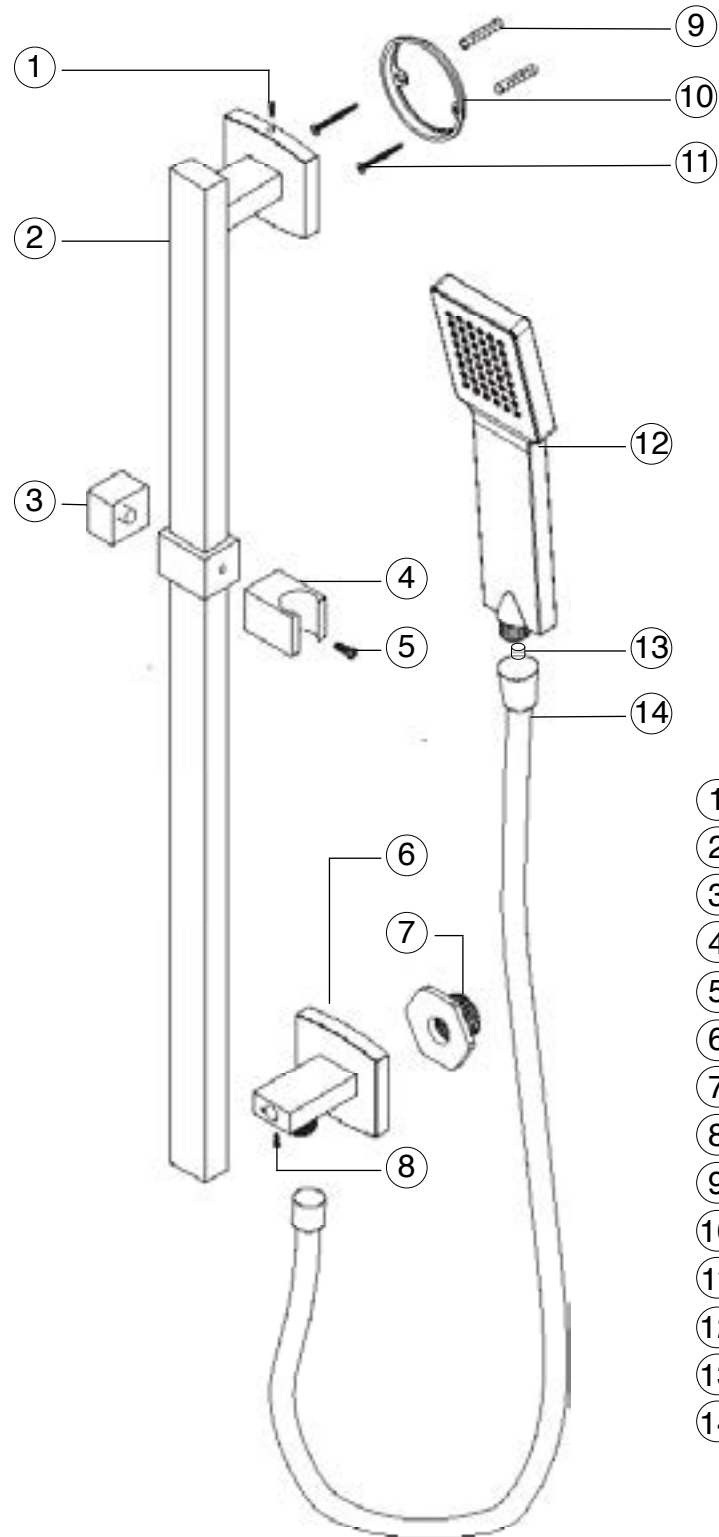
# artos®

PS118

## PARTS BREAKDOWN

premier series shower set

for F703-4



- ① WALL BRACKET SET SCREW F907-46 XP1
- ② SLIDE BAR F907-46 XP2
- ③ SLIDE BAR ADJUSTMENT HANDLE F907-46 XP3
- ④ HAND SHOWER HOLDER F907-46 XP4
- ⑤ HAND SHOWER HOLDER SCREW F907-46 XP5
- ⑥ SLIDE BAR INLET/OUTLET F907-46 XP6
- ⑦ INLET ADAPTER F907-46 XP7
- ⑧ SLIDE BAR INLET/OUTLET SET SCREW F907-46 XP8
- ⑨ WALL ANCHORS F907-46 XP9
- ⑩ WALL BRACKET F907-46 XP10
- ⑪ WALL BRACKET SCREWS F907-46 XP11
- ⑫ HAND SHOWER F907-46 XP12
- ⑬ HAND SHOWER CHECK VALVE F907-46 XP13
- ⑭ HAND SHOWER HOSE F907-46 XP14

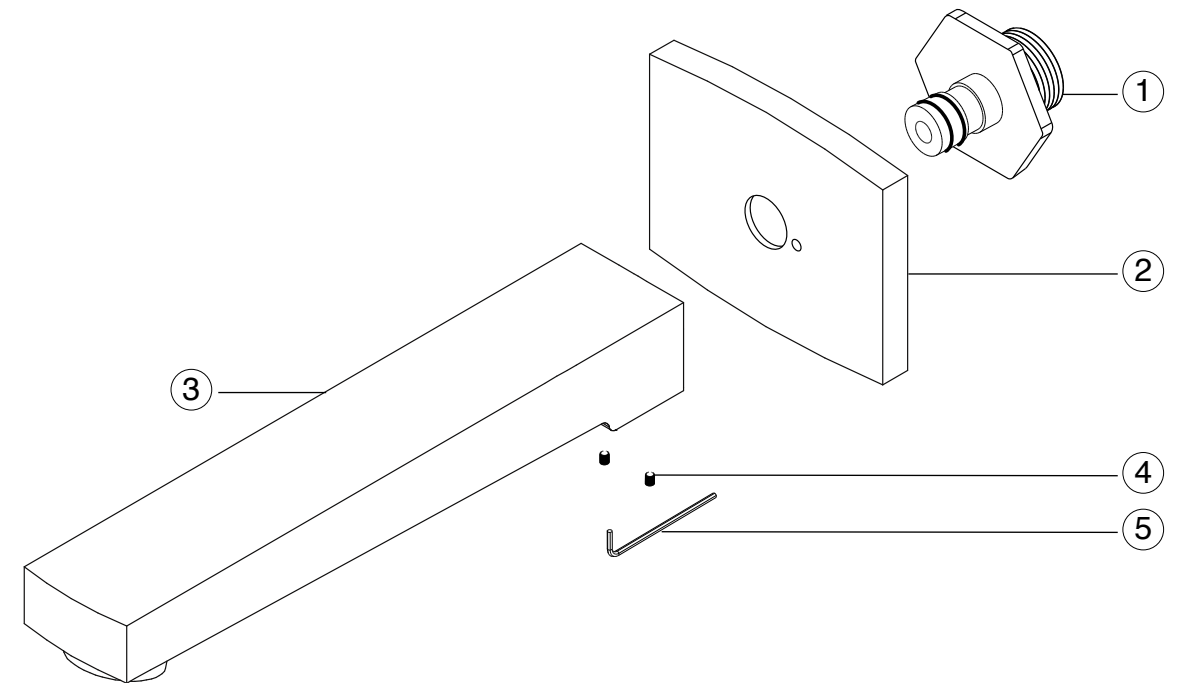
# artos®

PS118

## PARTS BREAKDOWN

premier series shower set

for F702-3



- ① WALL CONNECTION F702-3 XP1
- ② ESCUTCHEON F702-3 XP2
- ③ SPOUT F702-3 XP3
- ④ SET SCREW(2) F702-3 XP4
- ⑤ ALLEN WRENCH F702-3 XP5

# artos®

PS118

**CARE & MAINTENANCE**

premier series shower set

For best results, keep the following in mind to retain the high quality finish of your artos® shower kit:

- Use a soft, dampened sponge or cloth. On no account should you use an abrasive material such as a brush, scouring pad or steel wool to clean surfaces.
- Test your cleaning agent solution on an inconspicuous area before applying to the entire product.
- Wipe surfaces clean and rinse completely with water immediately after applying cleaning agent.
- An ideal cleaning technique is to rinse faucet thoroughly and blot dry any water from the surface after each use.

## **LIMITED LIFETIME WARRANTY**

**artos® shower kits are guaranteed for life against leaks and finishing defects for as long as the original purchaser owns it.**

Damage caused by accident, misuse, abuse, improper installation, improper cleaning or alteration will void the warranty. This warranty does not cover replacement parts where damage is caused by normal wear and tear. Westover, Inc is not responsible for labor charges, installation or other incidental or consequential costs. Proof of purchase must be provided with all claims.

Please register this product online at [WWW.ARTOS.US.COM](http://WWW.ARTOS.US.COM)

ITEM NO. **PS118**  
SERIAL NO.