

artos[®]

PS115

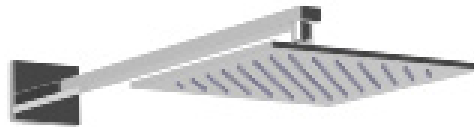
INSTALLATION GUIDE

premier series shower set

BRUSHED NICKEL(PS119BN)



CHROME(PS119CH)



artos[®]

PS115

premier series shower set

OPERATING SPECIFICATIONS



FEATURES

Solid Brass
3-Outlets

INCLUDES

F903B-59TK
F907-46CH
F907-50
FSC1000CH



OPERATING PRESSURE

Minimum: 15 psi
Maximum: 75 psi
Above 90psi it may be necessary to install a pressure reducer

OPERATING TEMPERATURE

Maximum: 176°

FLOW CAPACITY

Hand Shower: 1.8 USGPM
Shower Head: 1.8 USGPM
Body Jet: 1.0 USGPM

APPROVAL



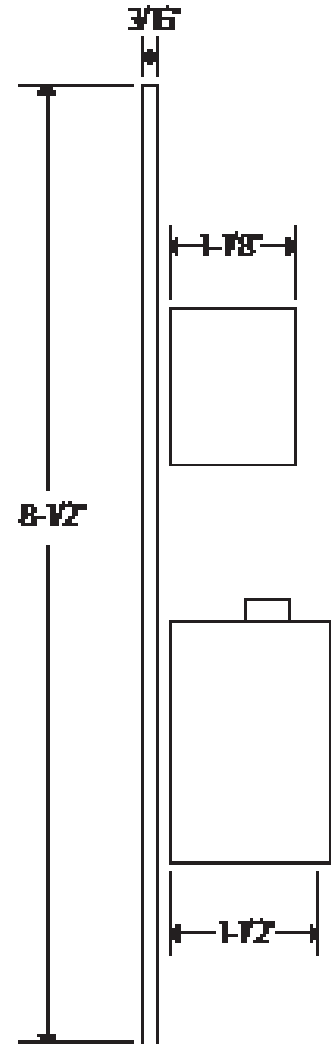
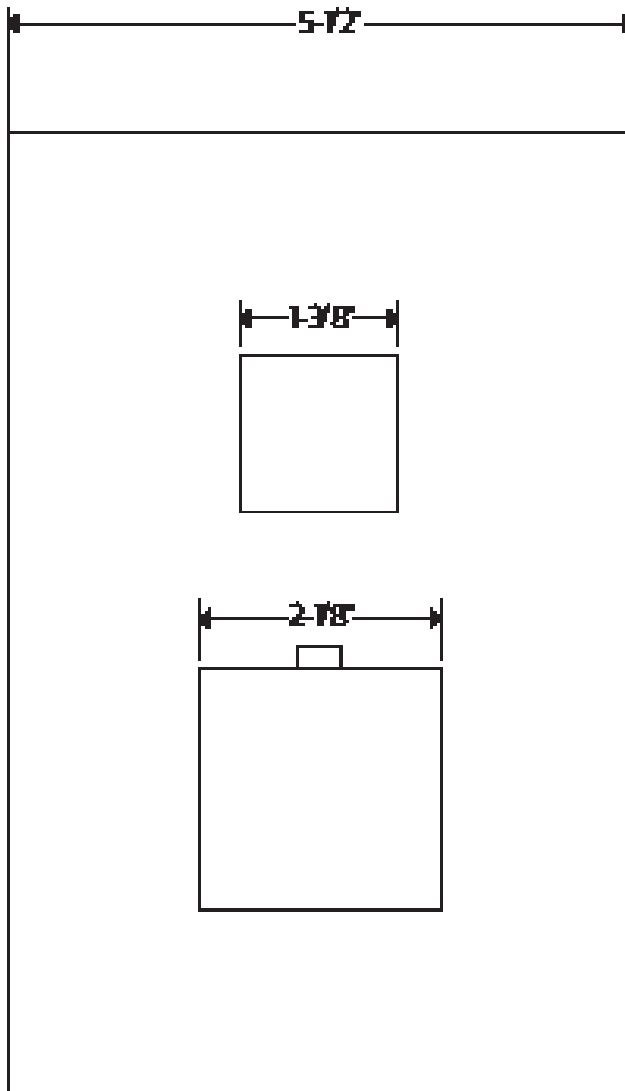
artos[®]

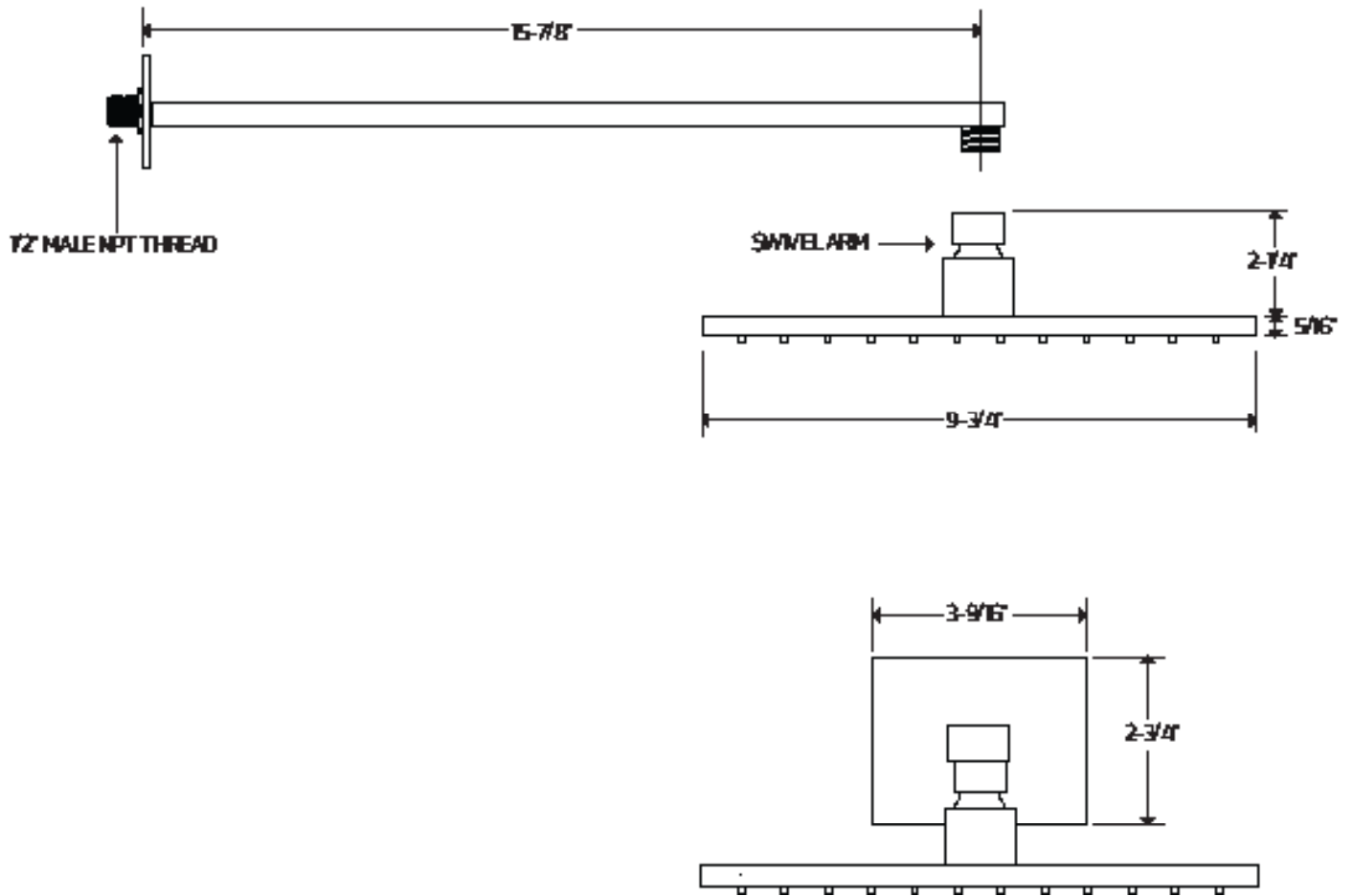
PS115

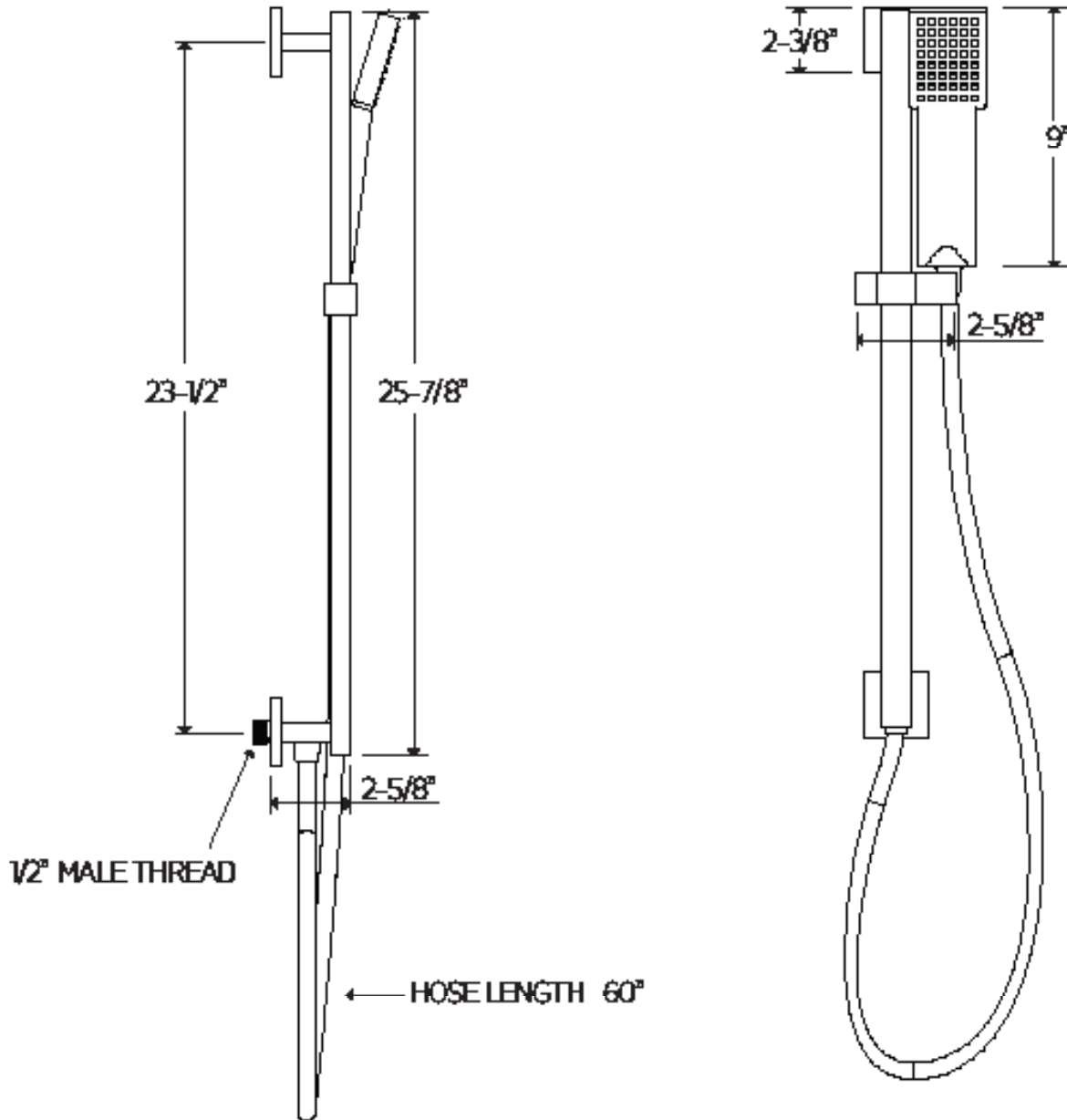
PRODUCT DIMENSIONS

premier series shower set

for F903B-59TK







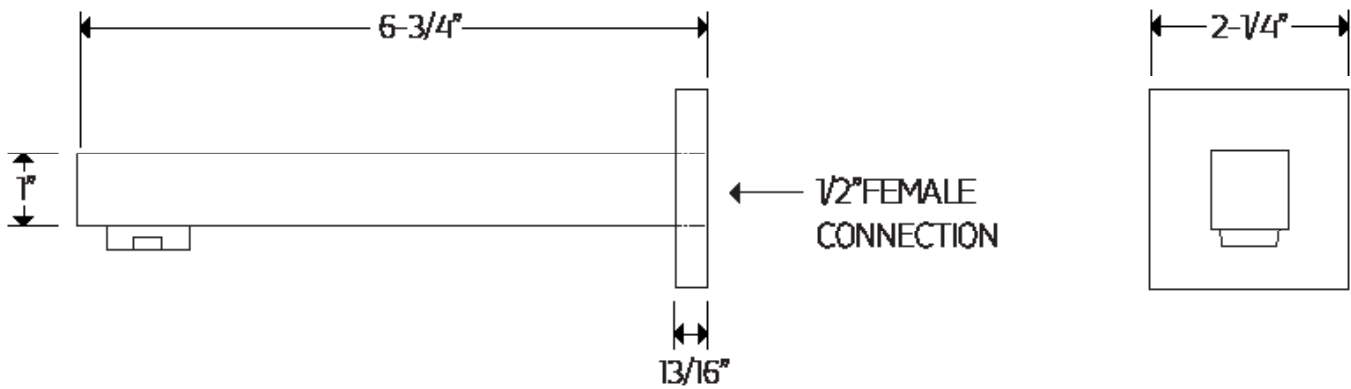
artos[®]

PS115

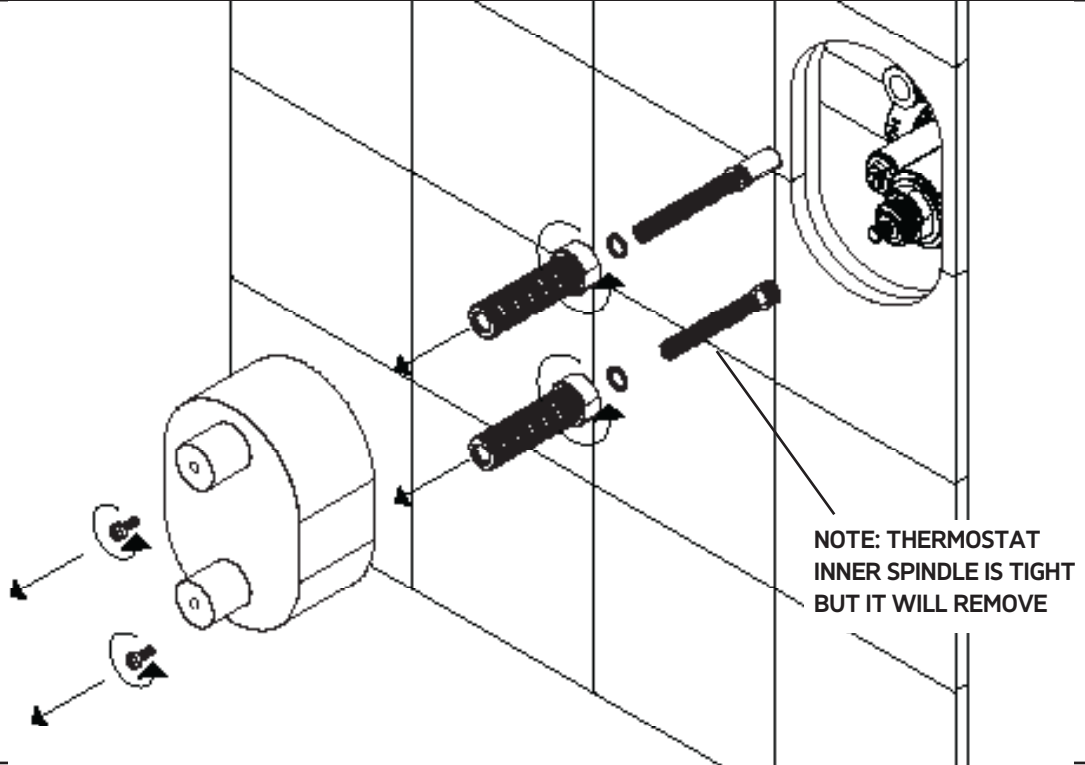
PRODUCT DIMENSIONS

premier series shower set

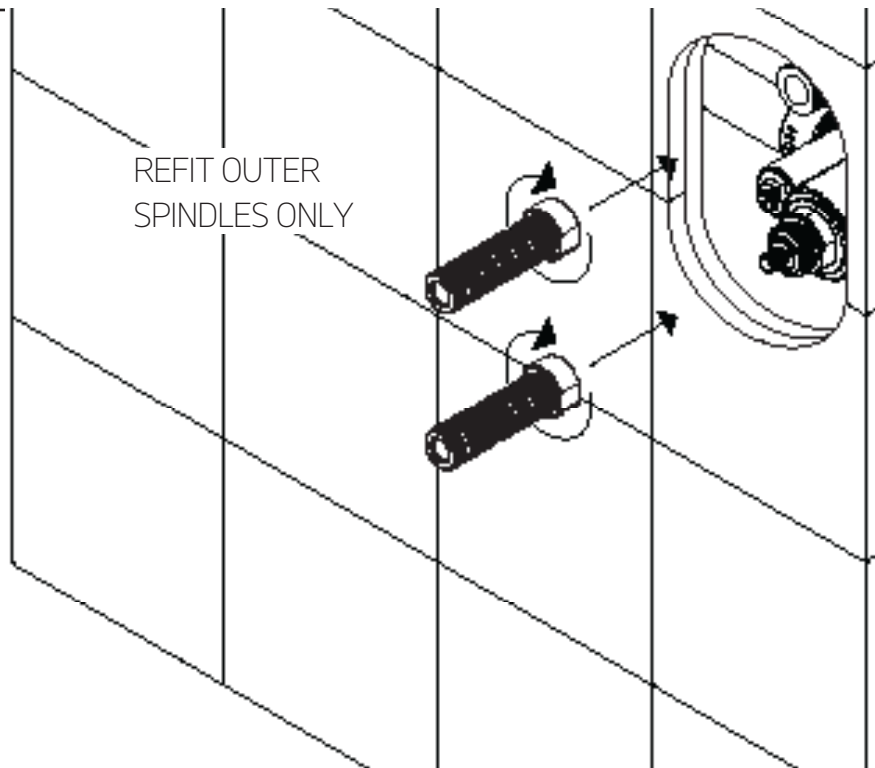
for FSC1000



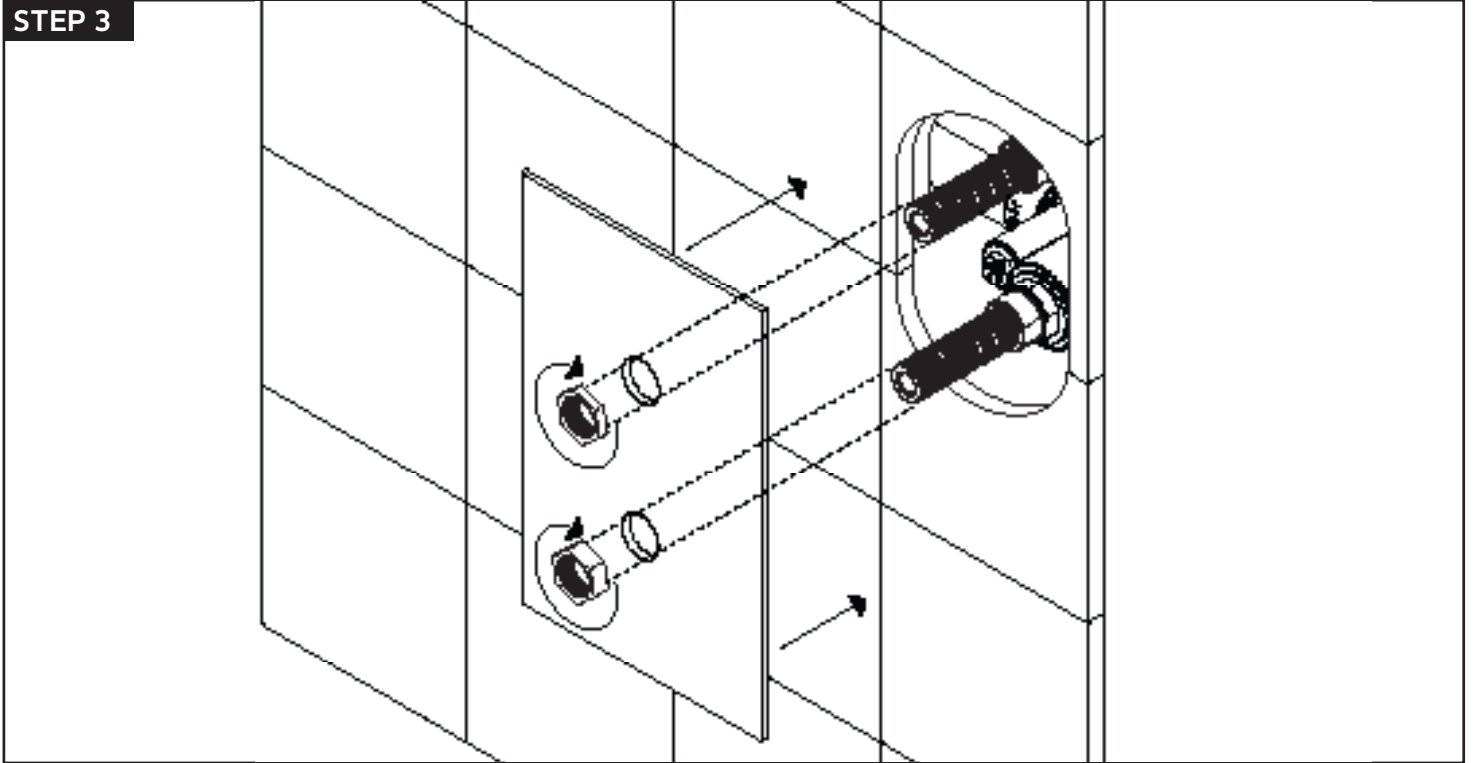
STEP 1



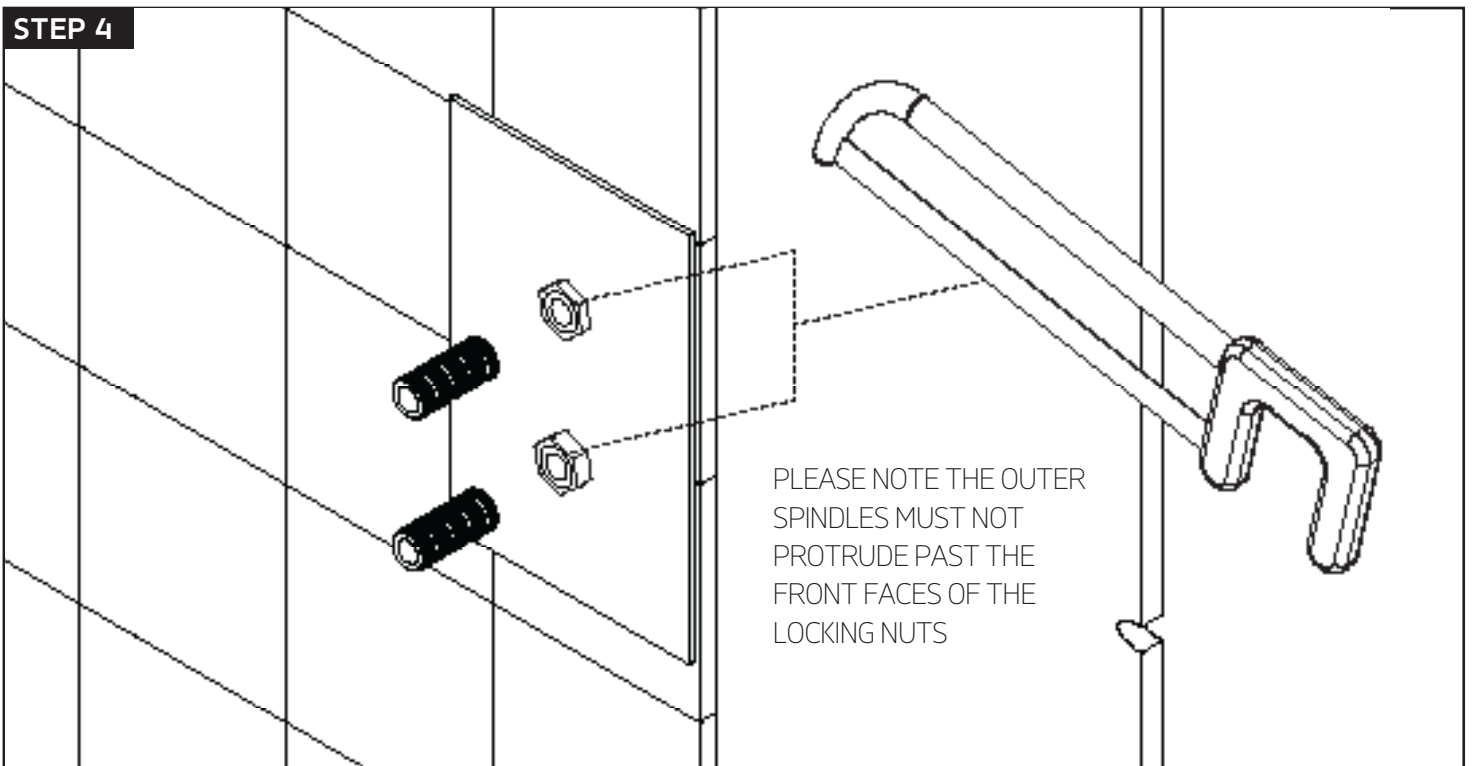
STEP 2



STEP 3



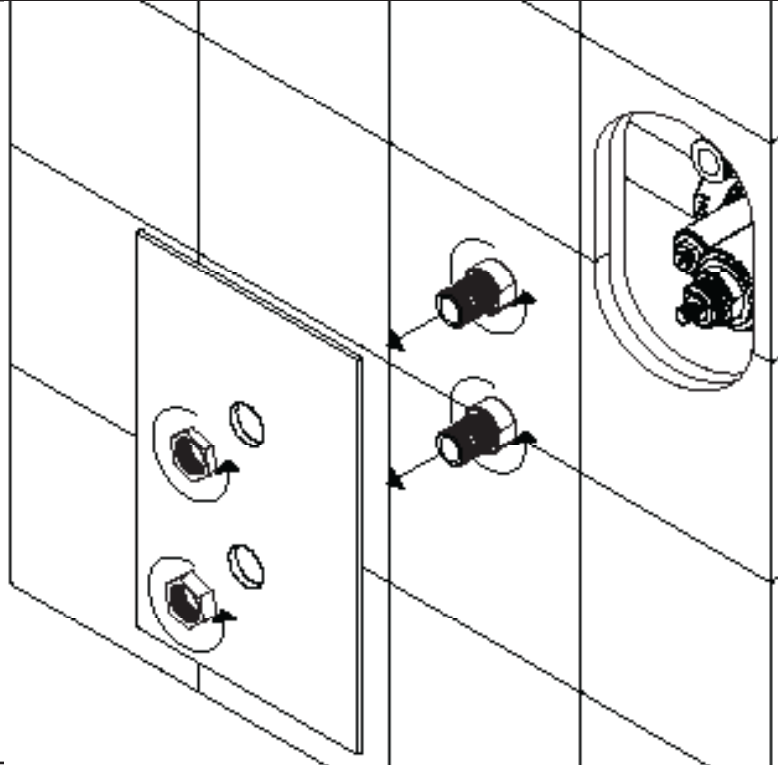
STEP 4



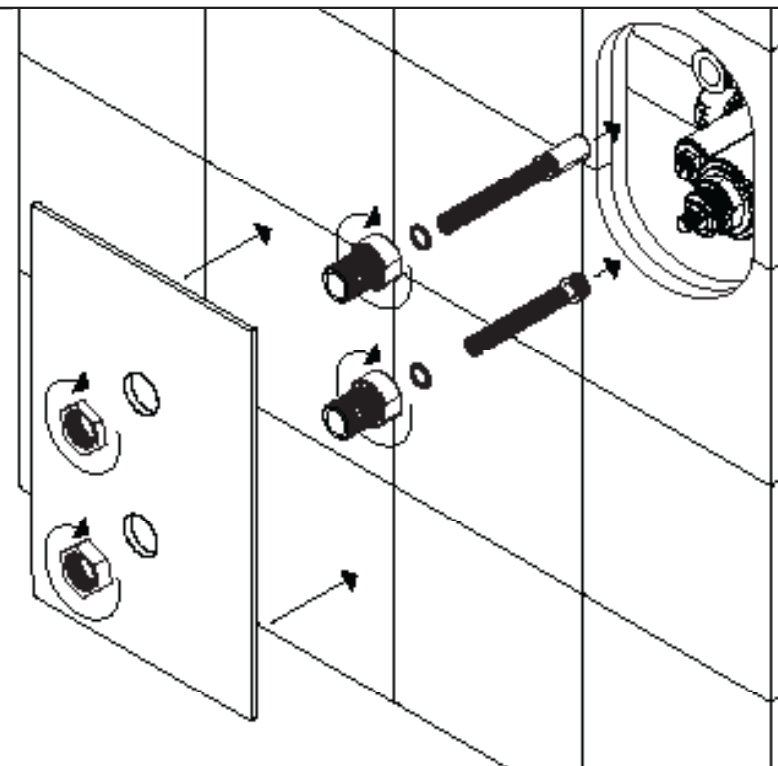
INSTALLATION STEPS

for F903B-59TK

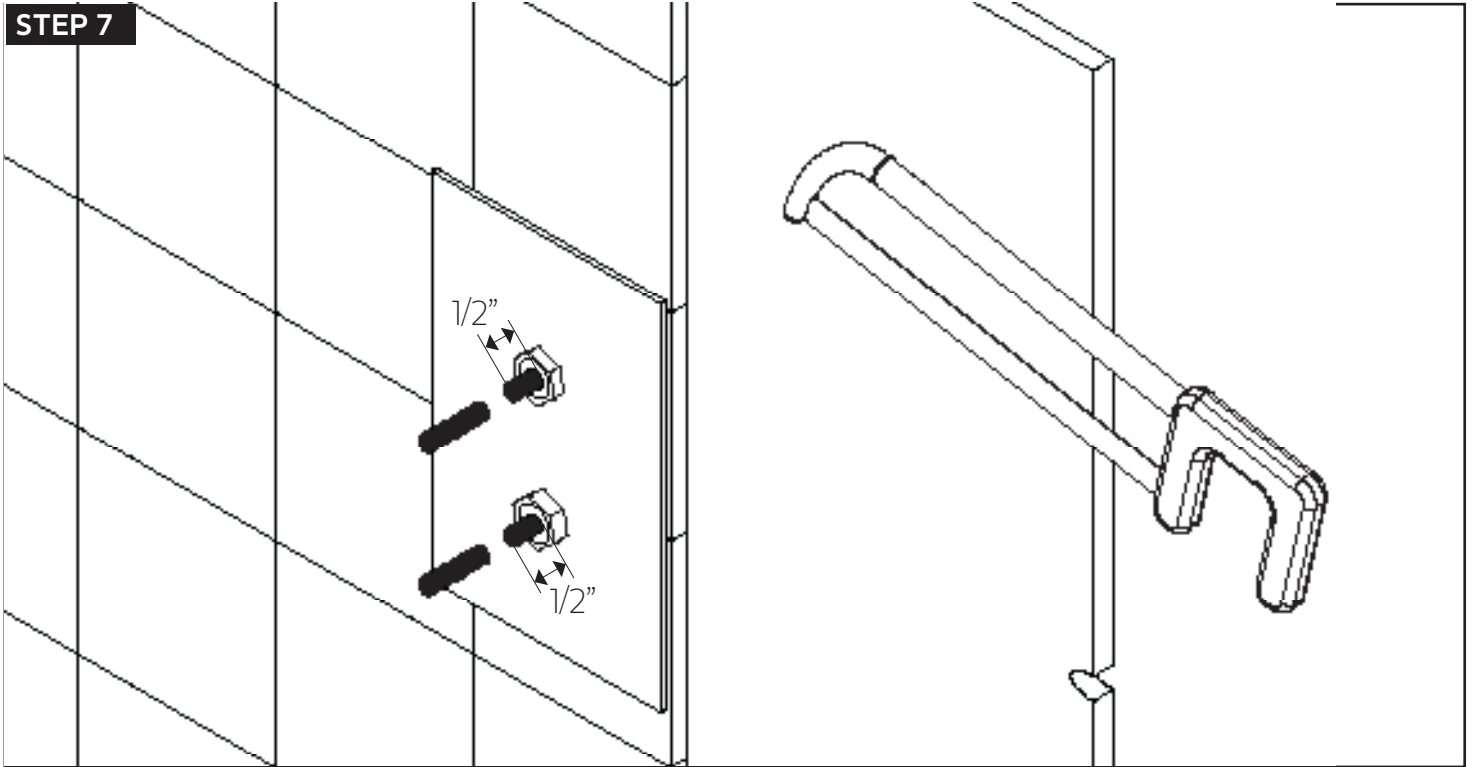
STEP 5



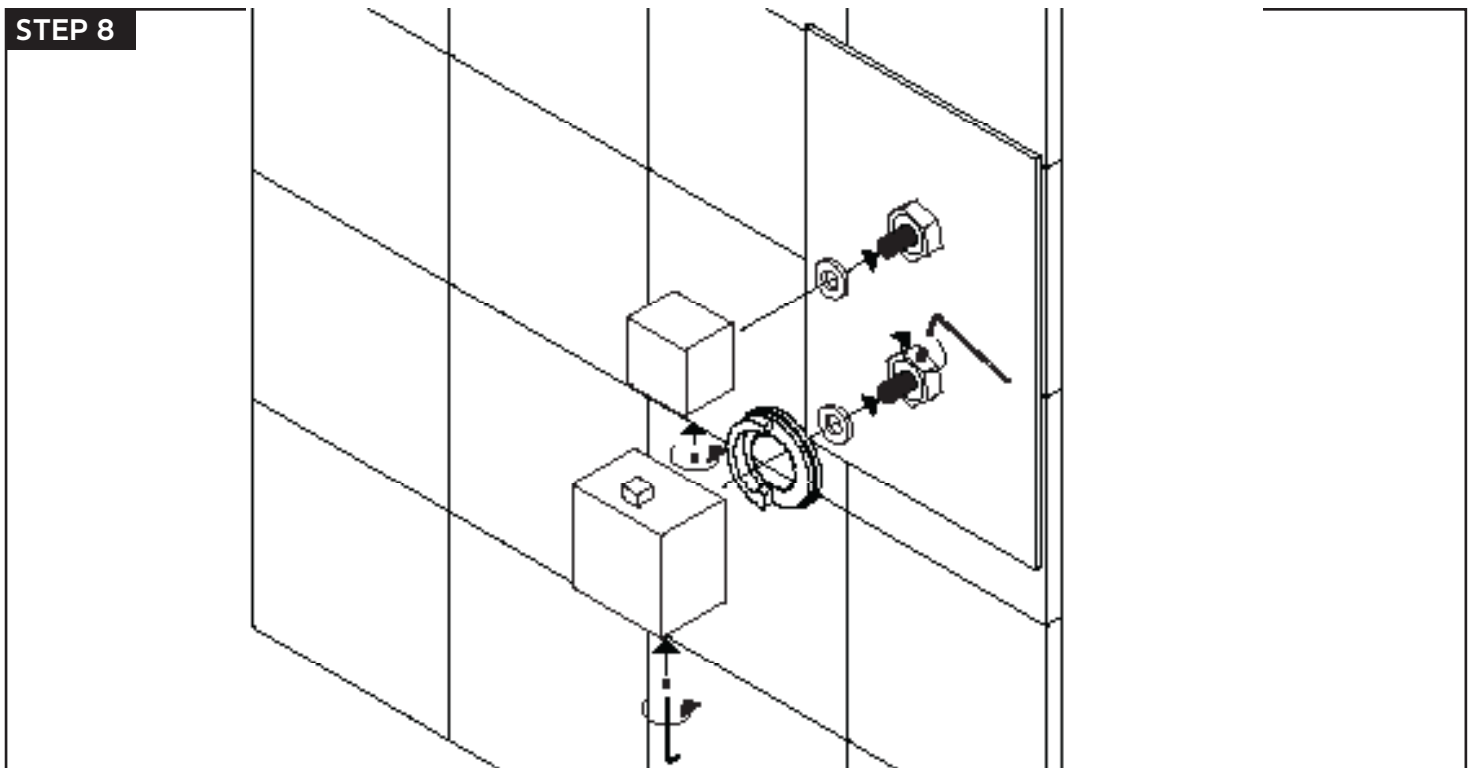
STEP 6

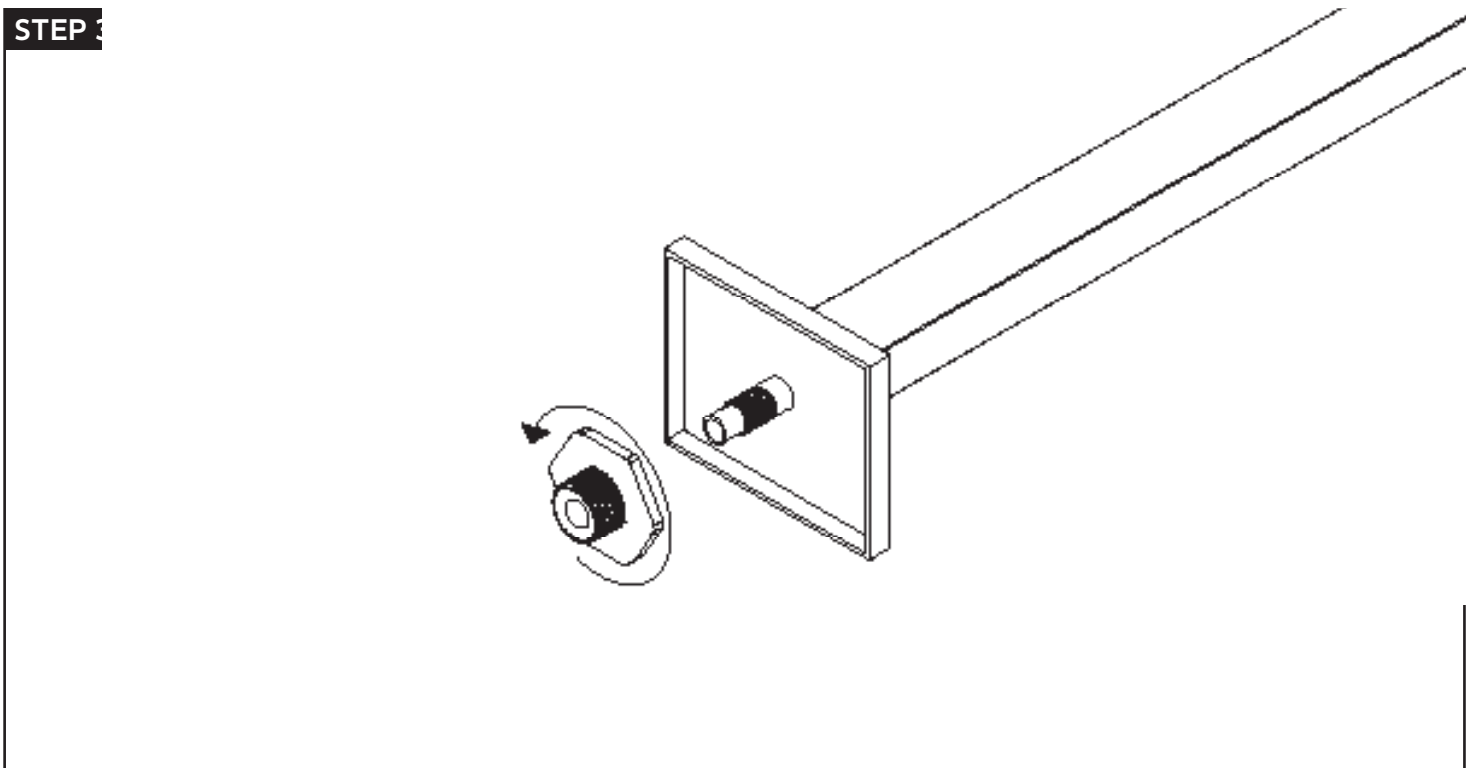
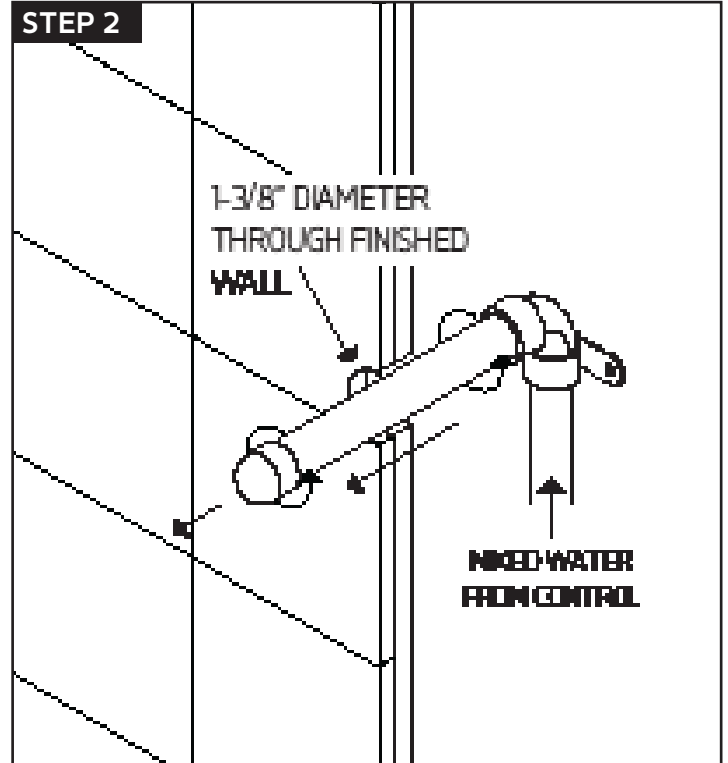
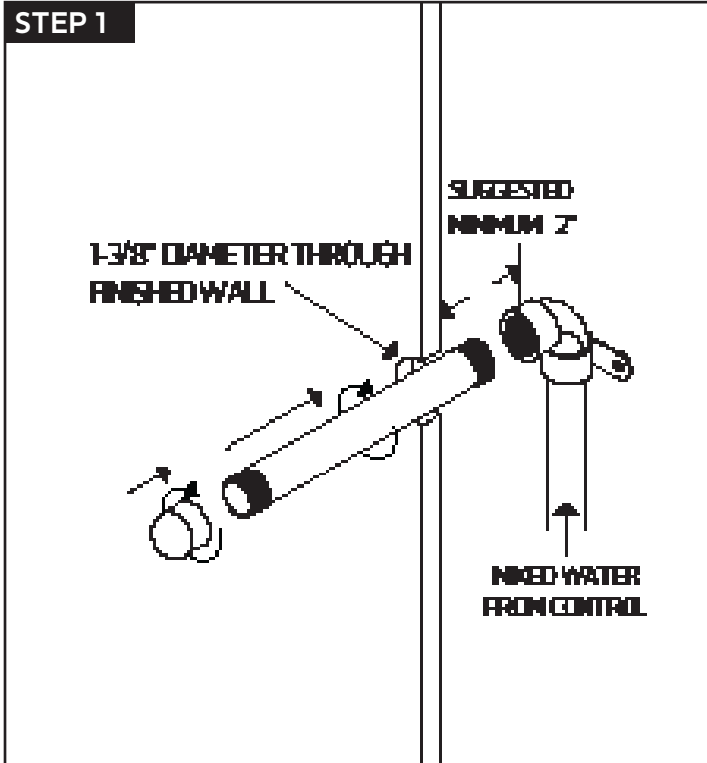


STEP 7



STEP 8

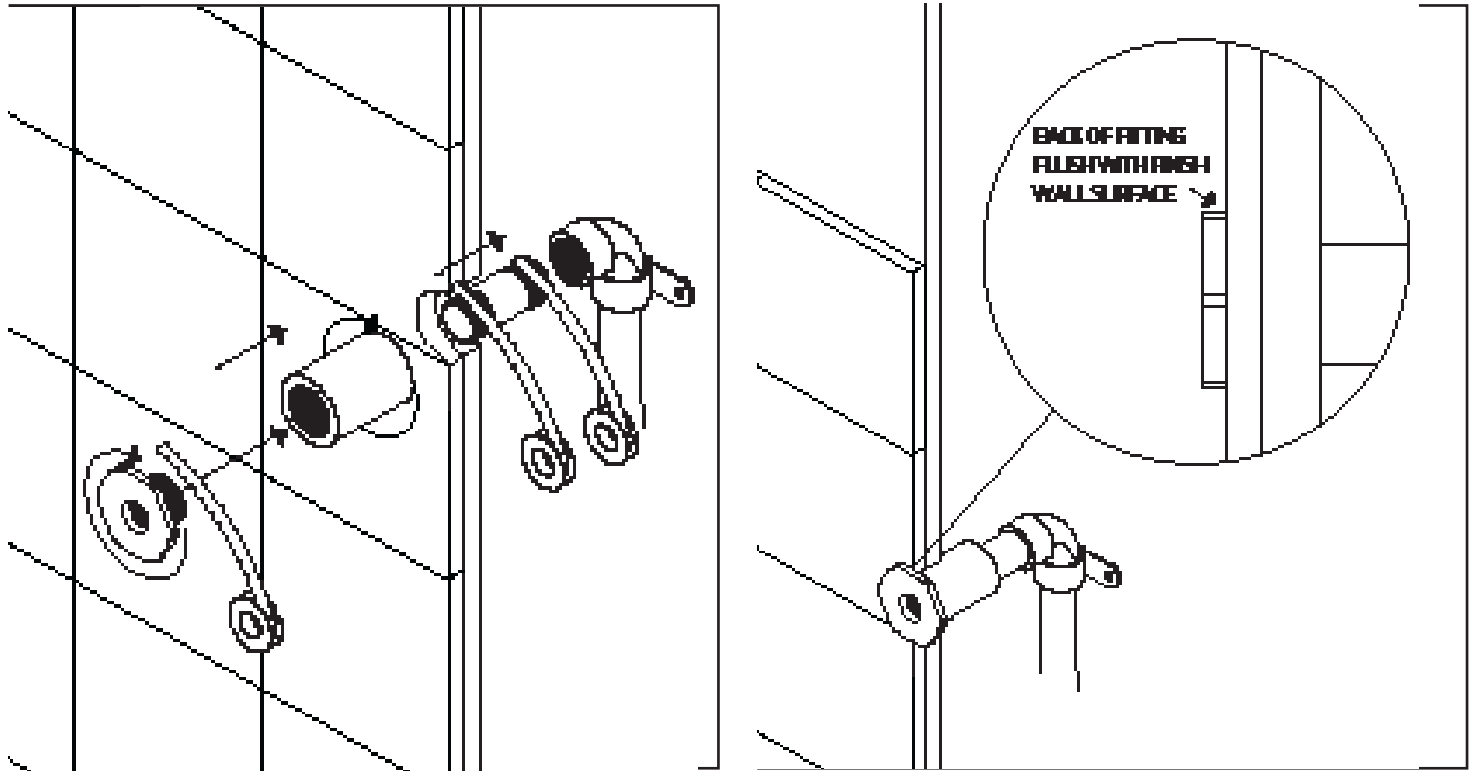




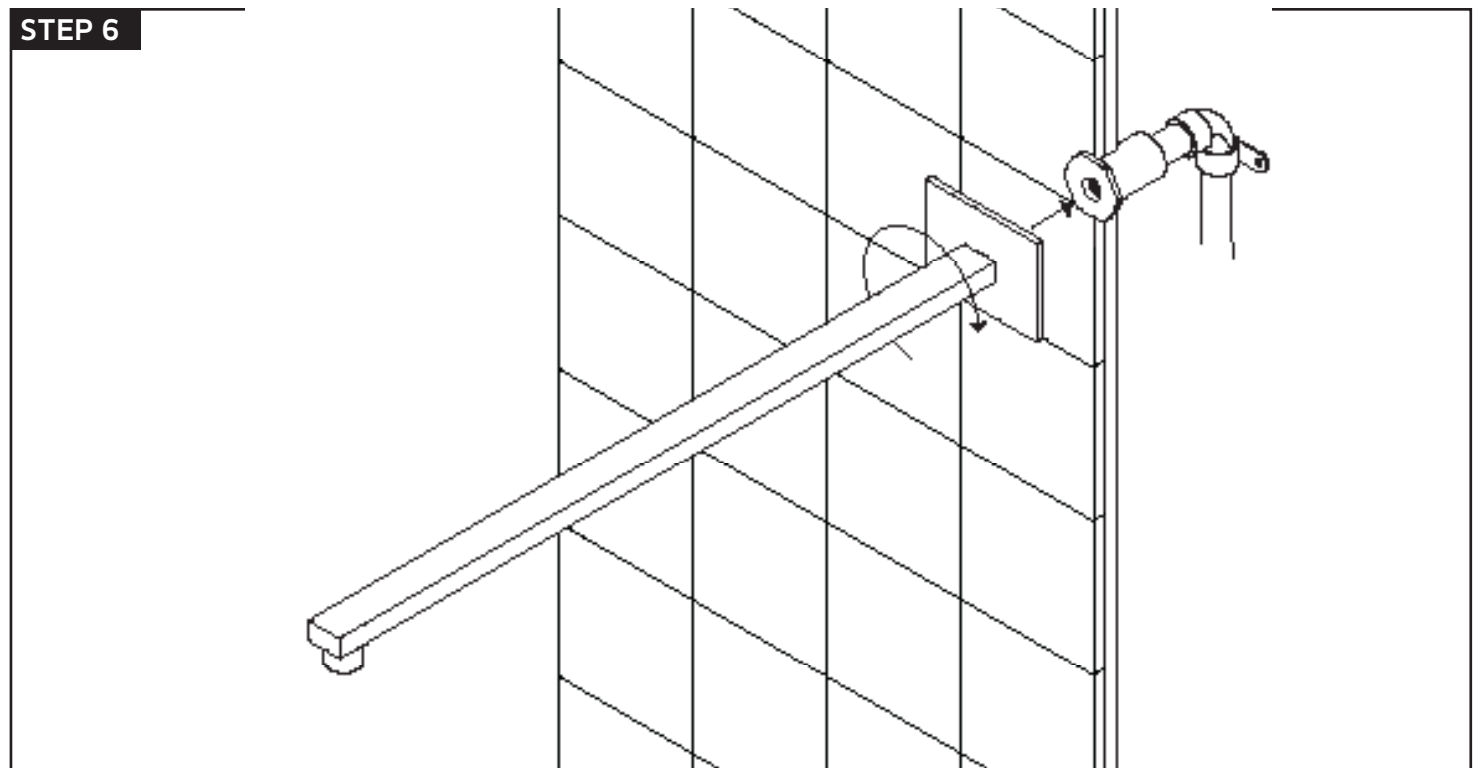
artos[®]

PS115

premier series shower set



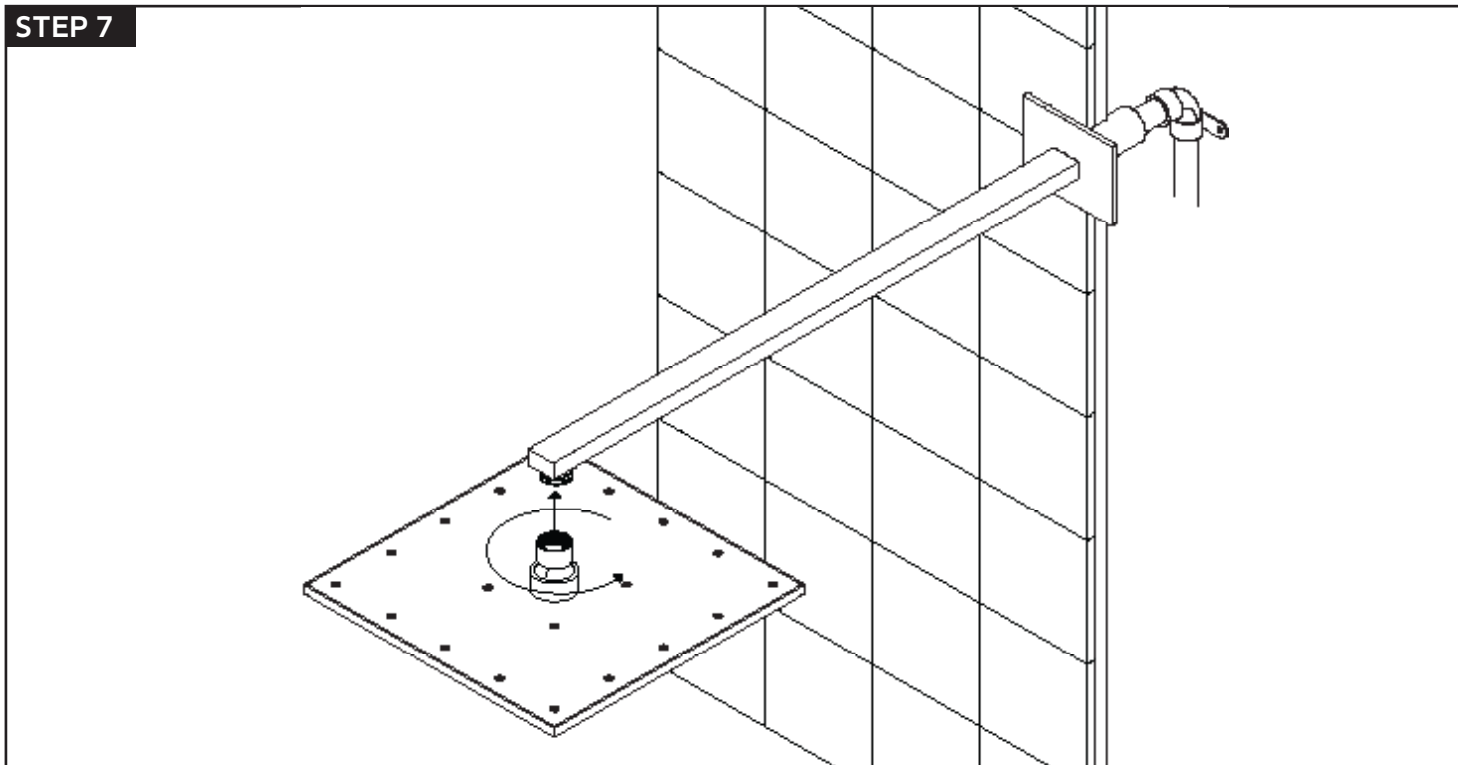
STEP 6



INSTALLATION STEPS

for F907-50

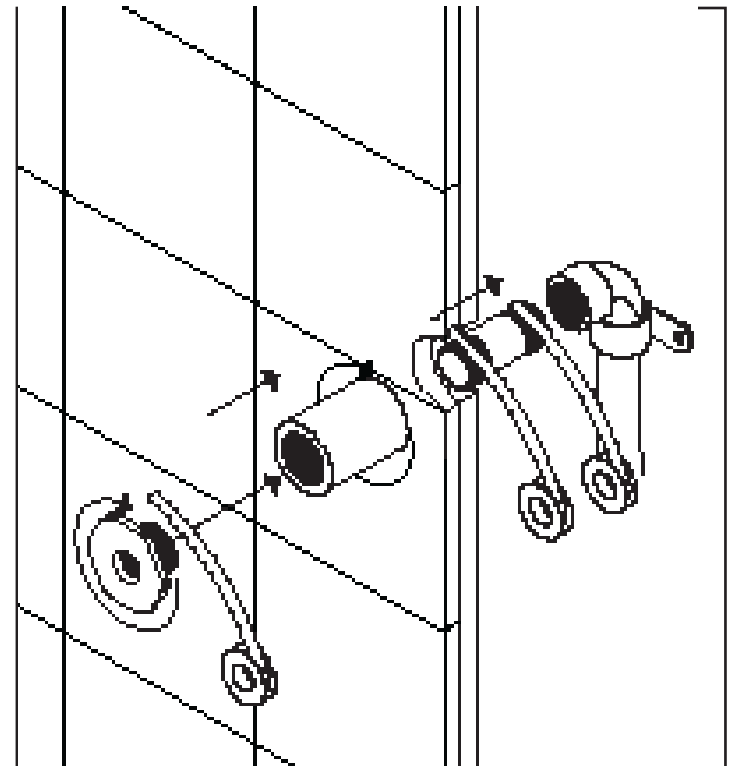
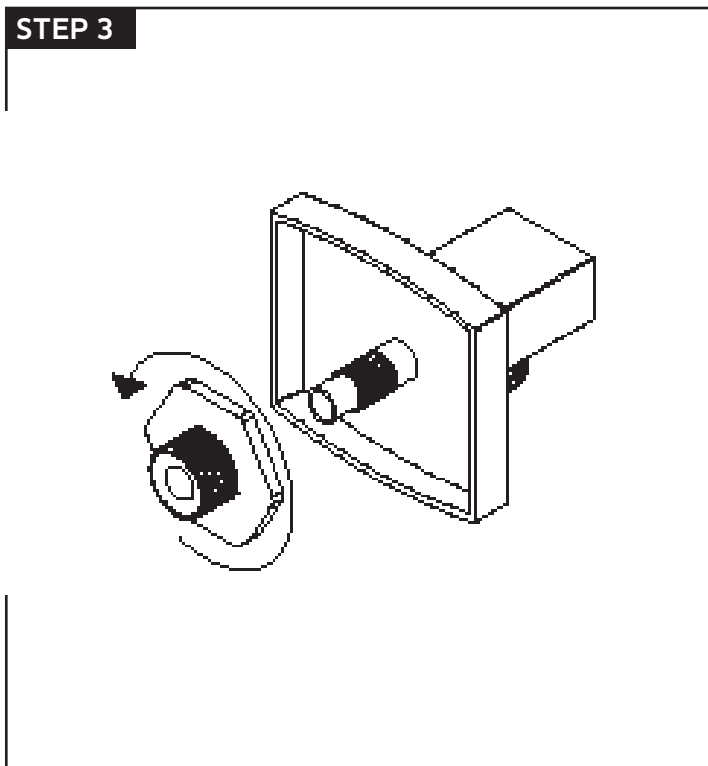
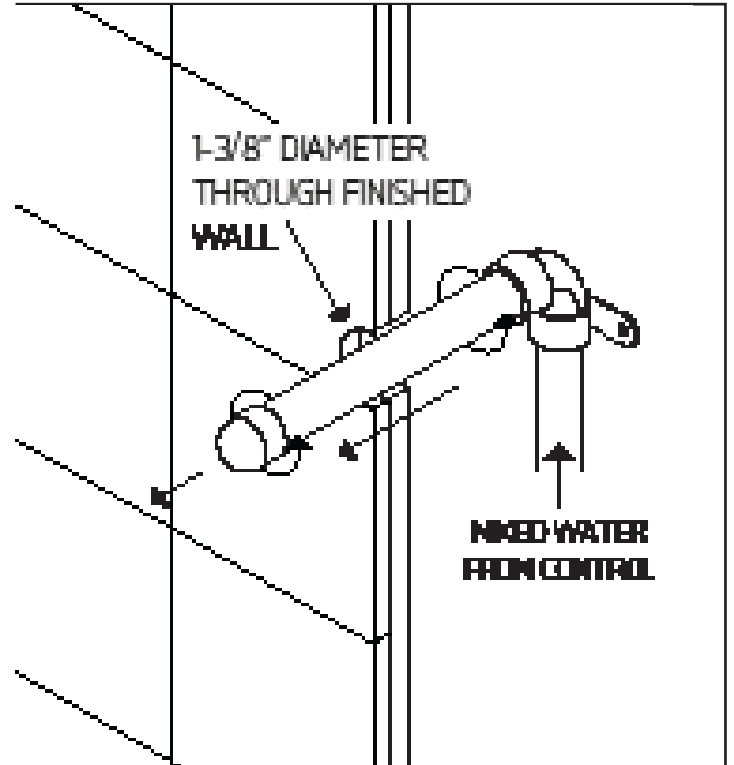
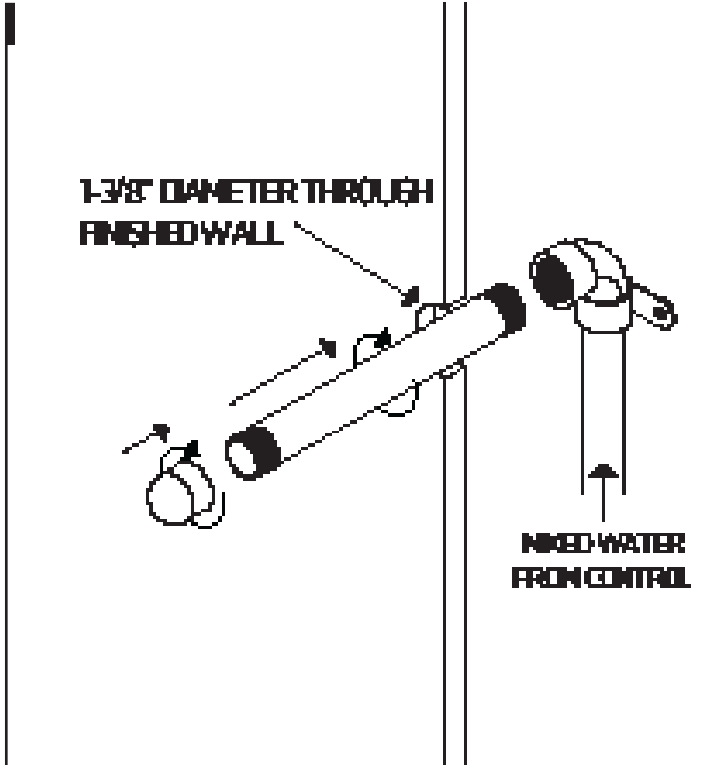
STEP 7

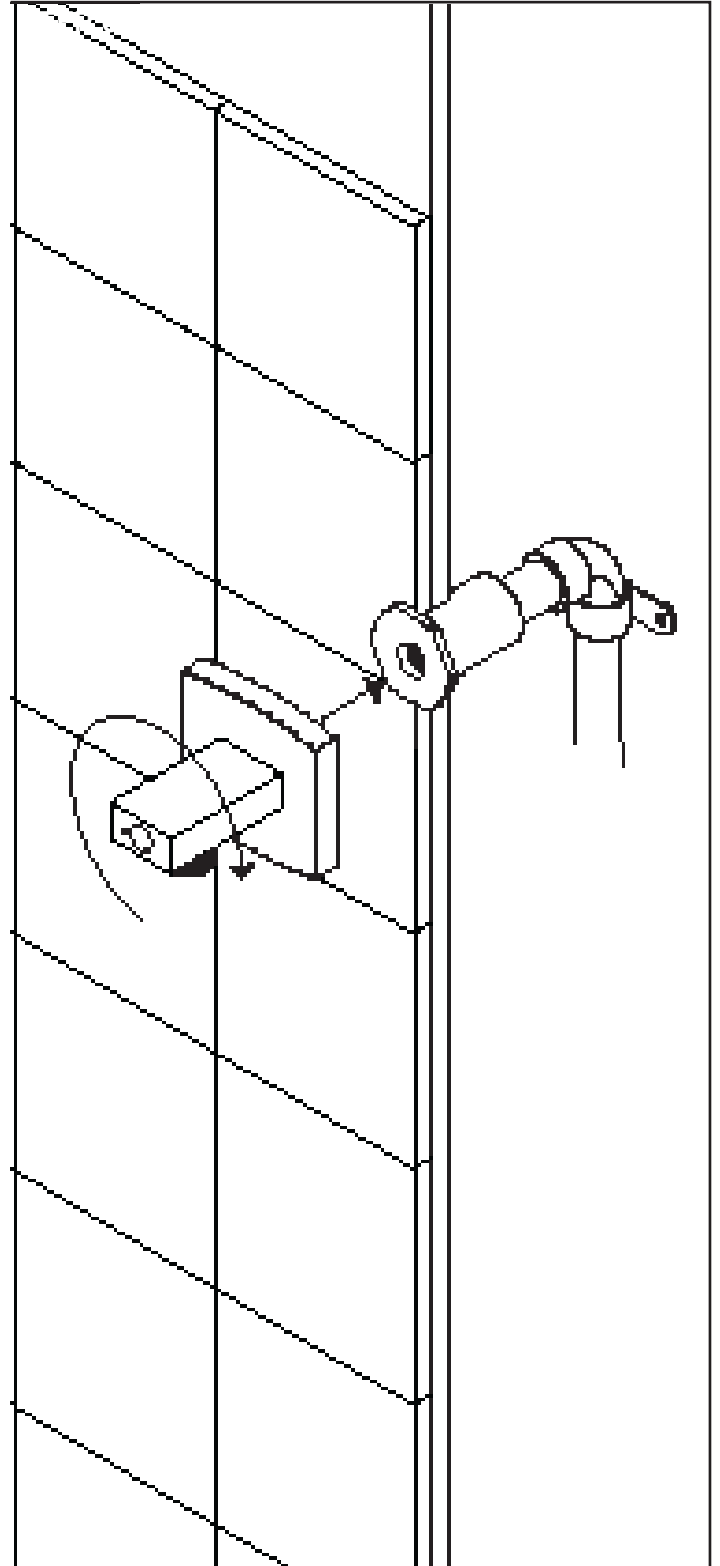
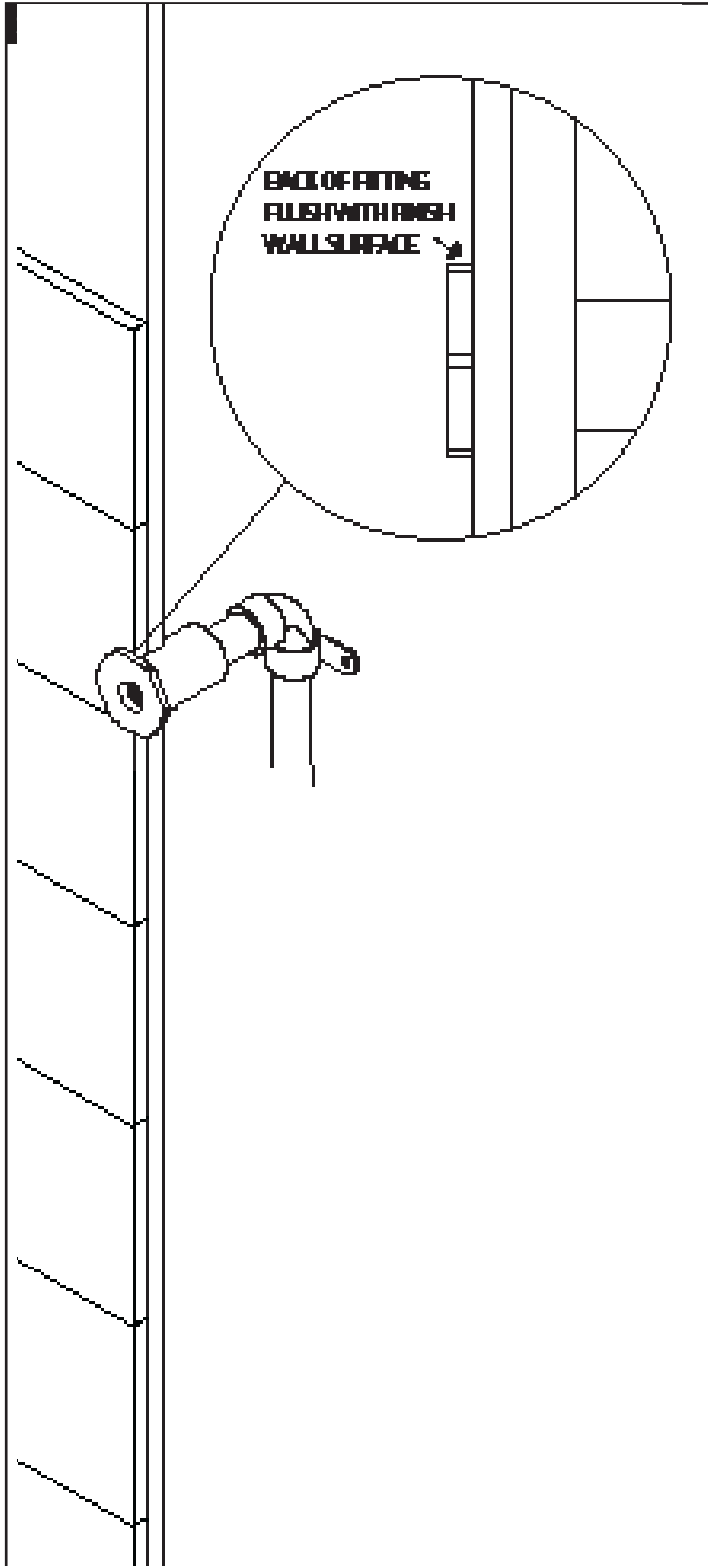


artos[®]

PS115

premier series shower set

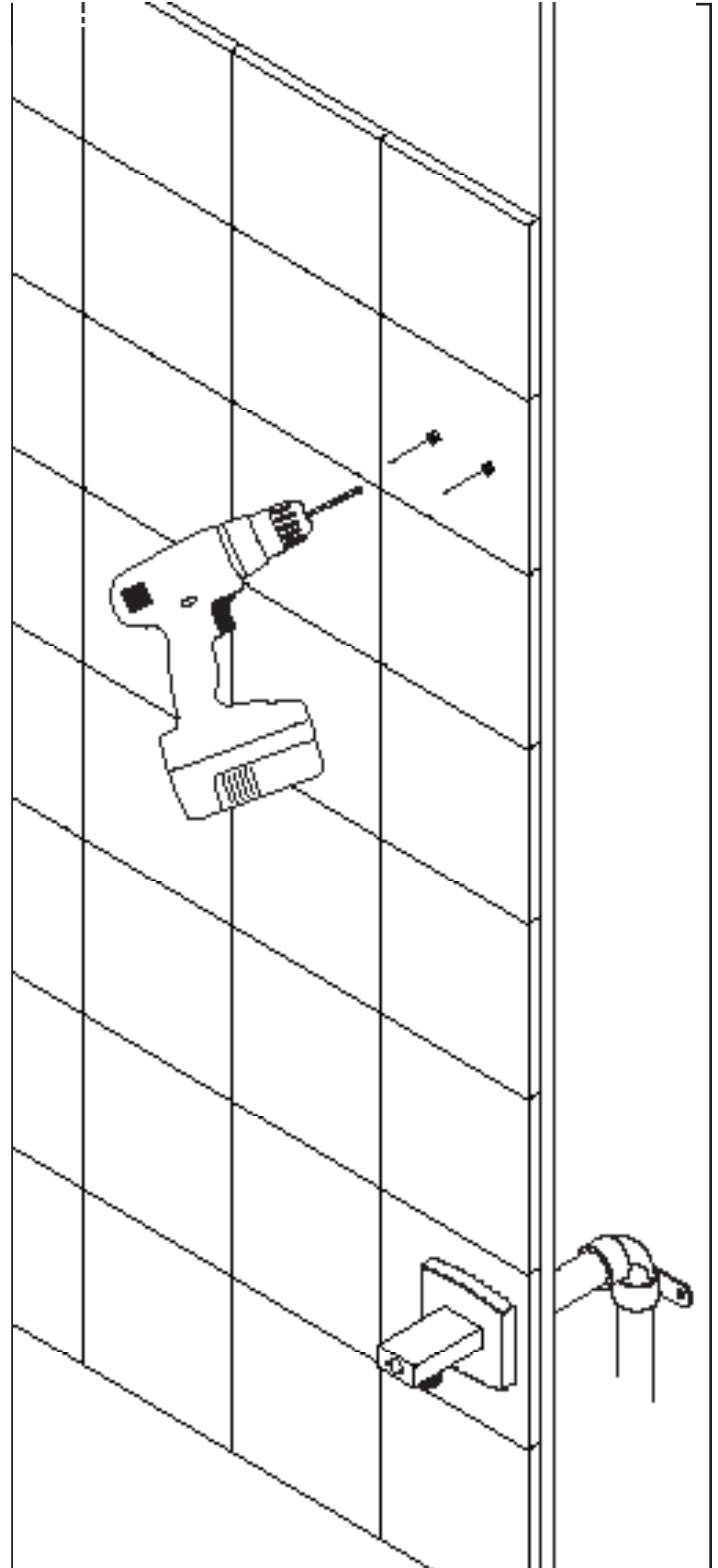
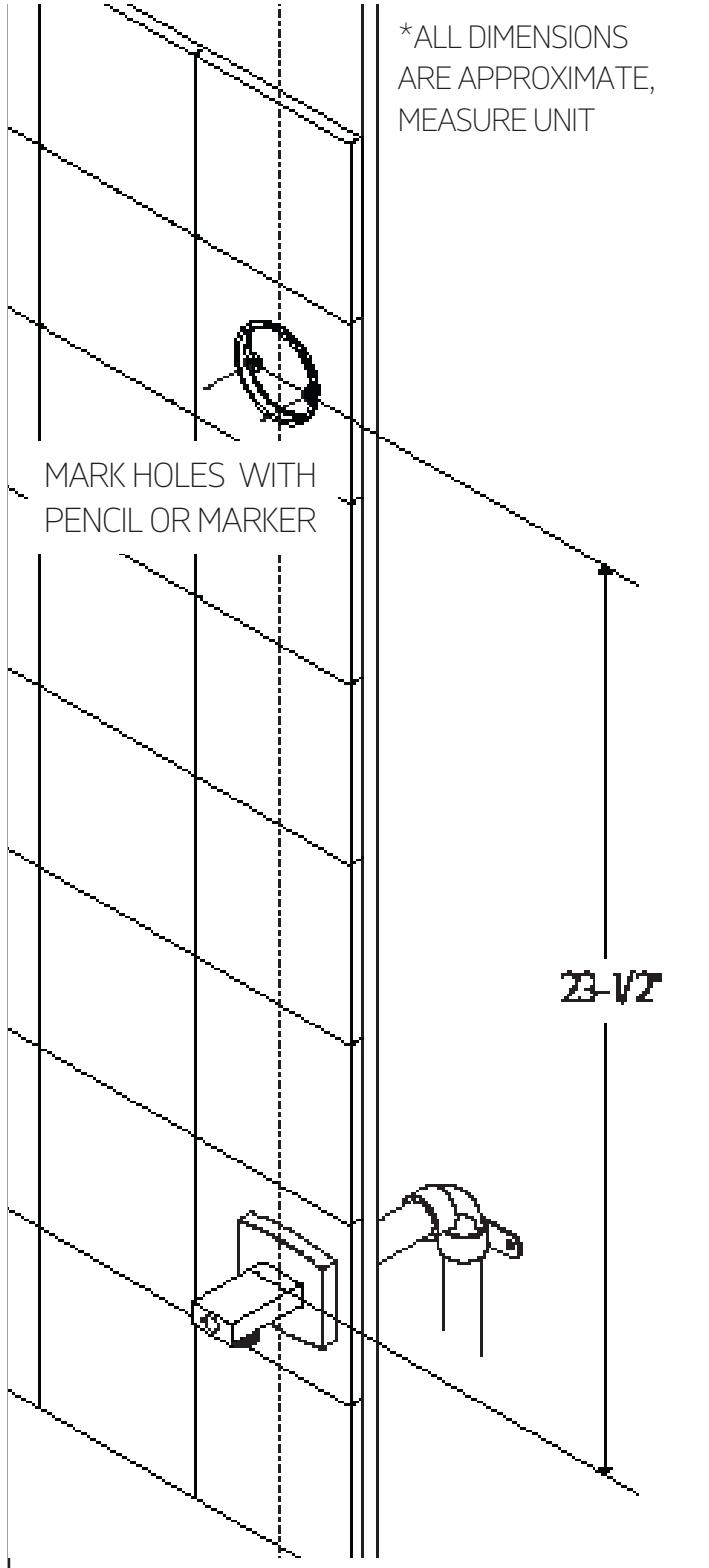


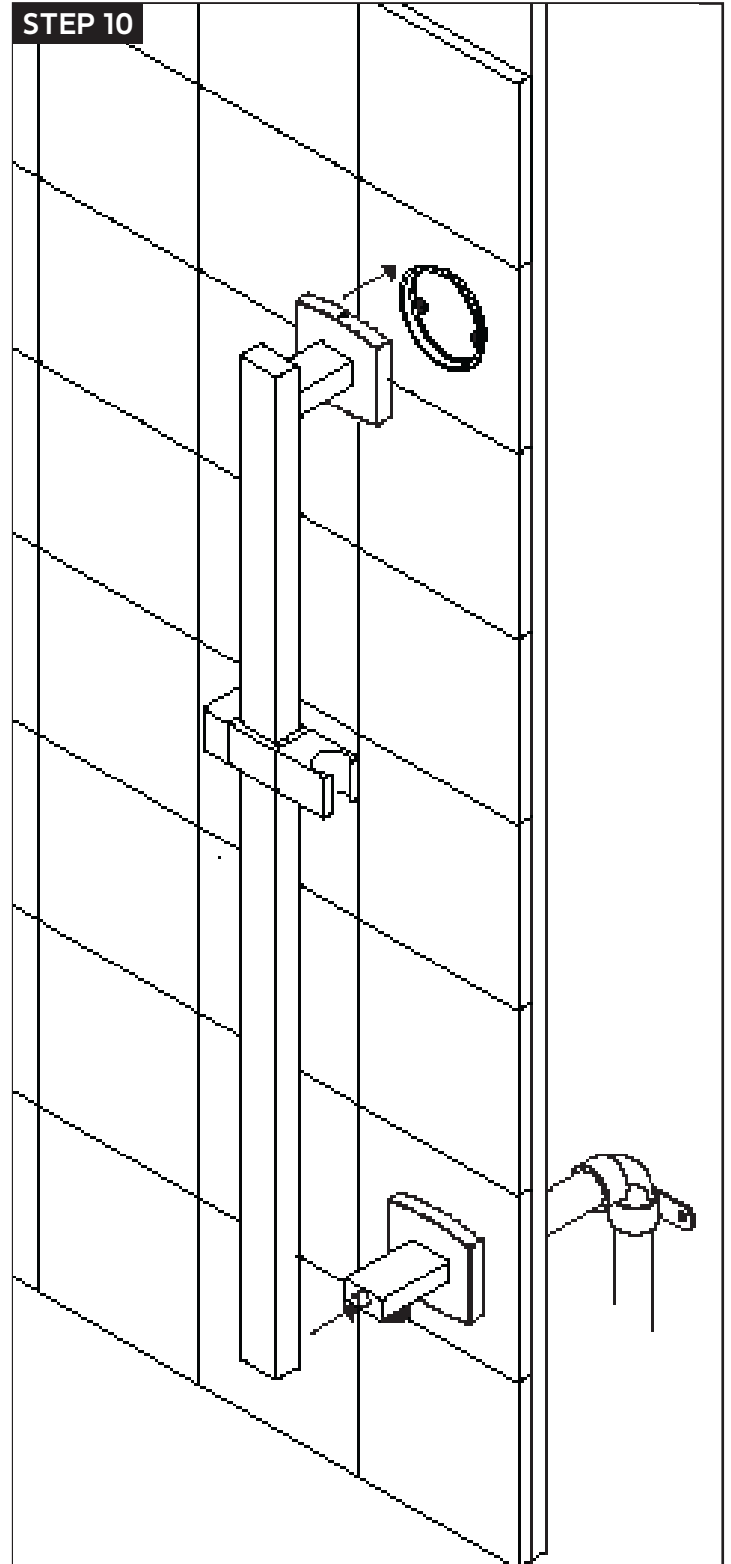
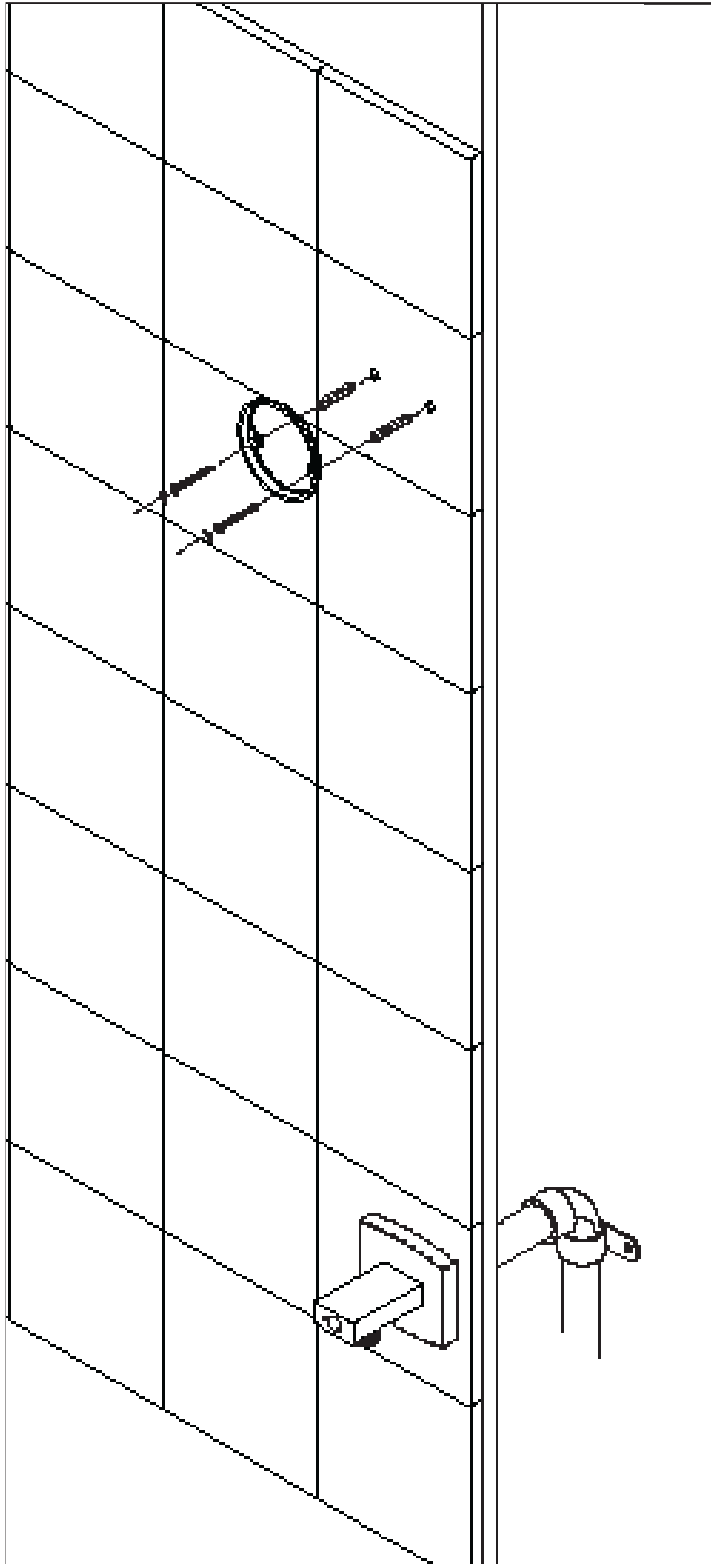


artos[®]

PS115

premier series shower set

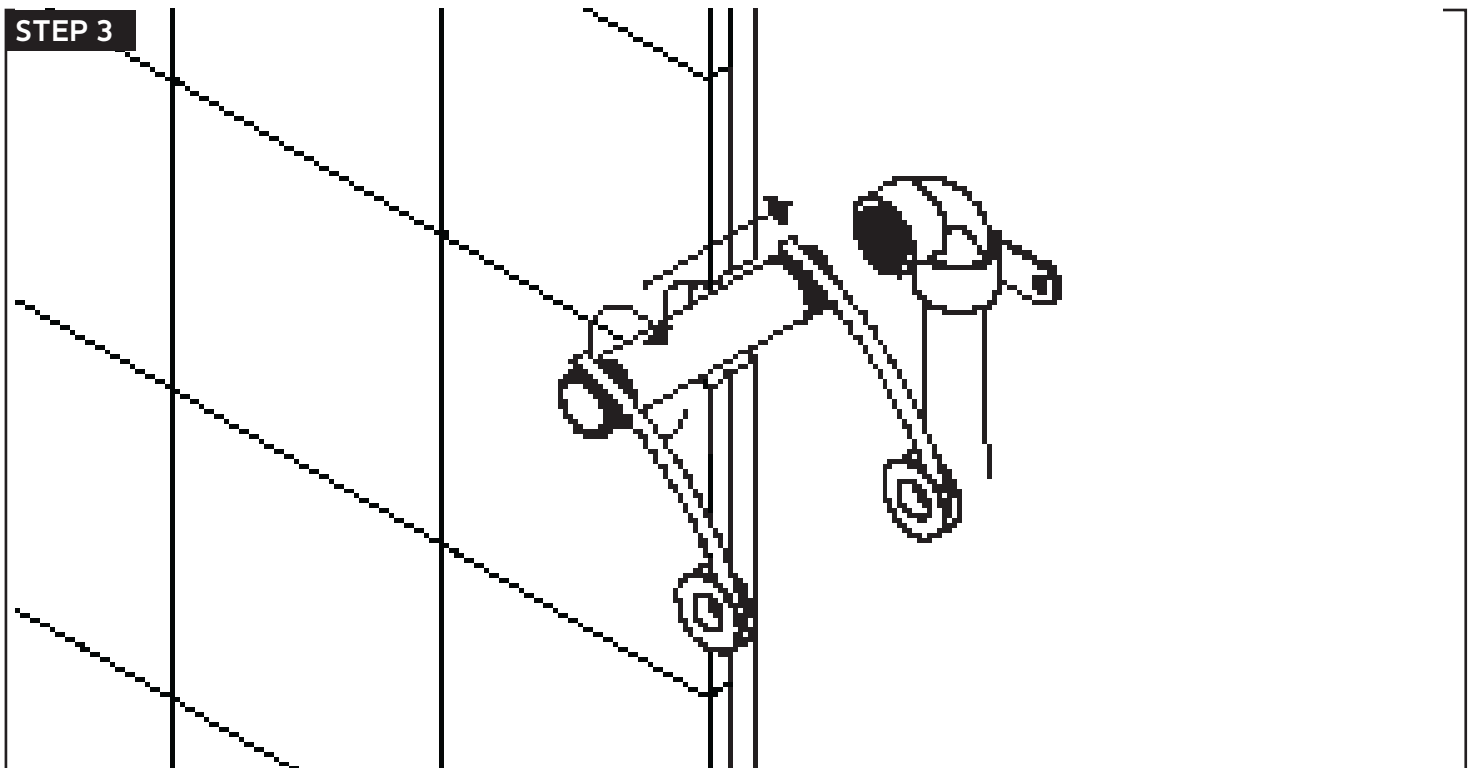
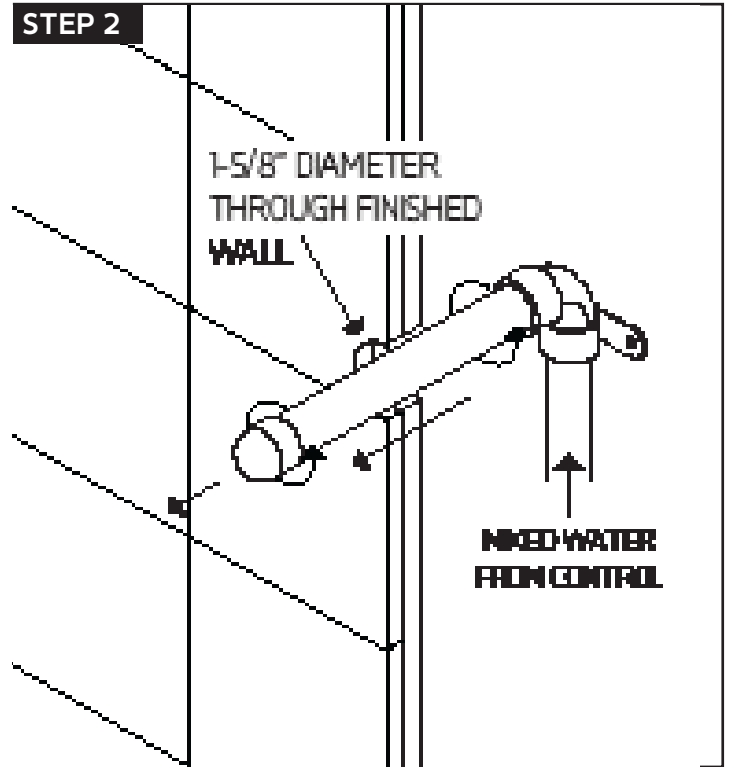
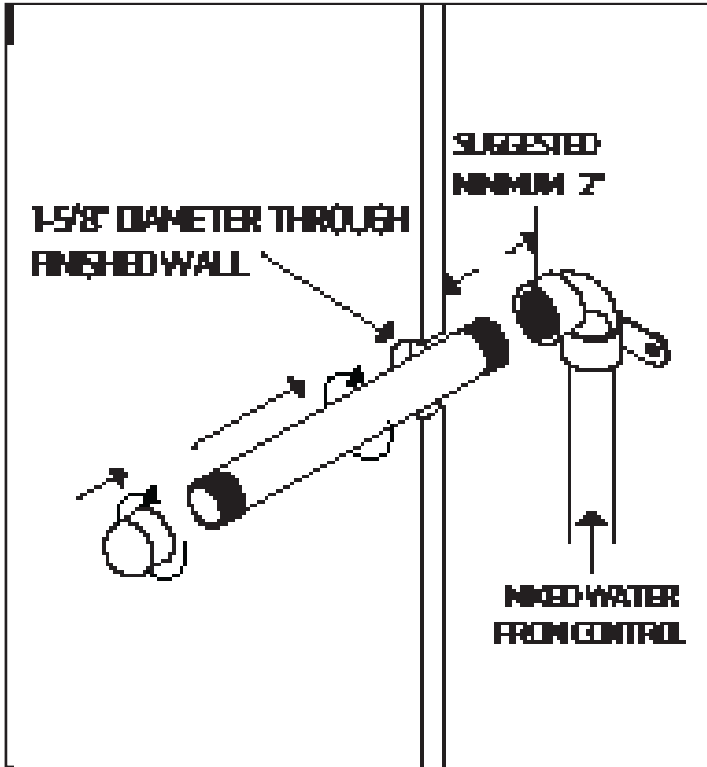


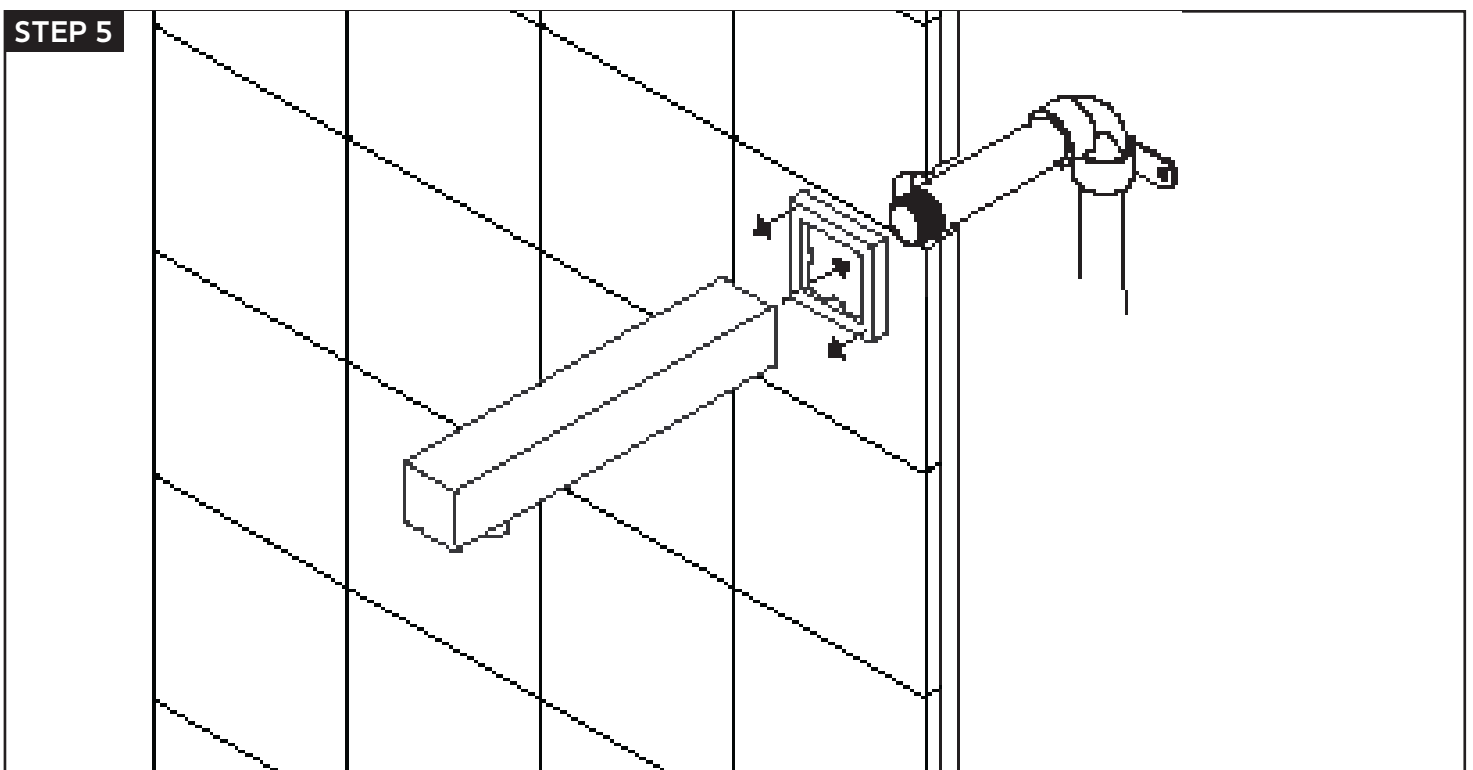
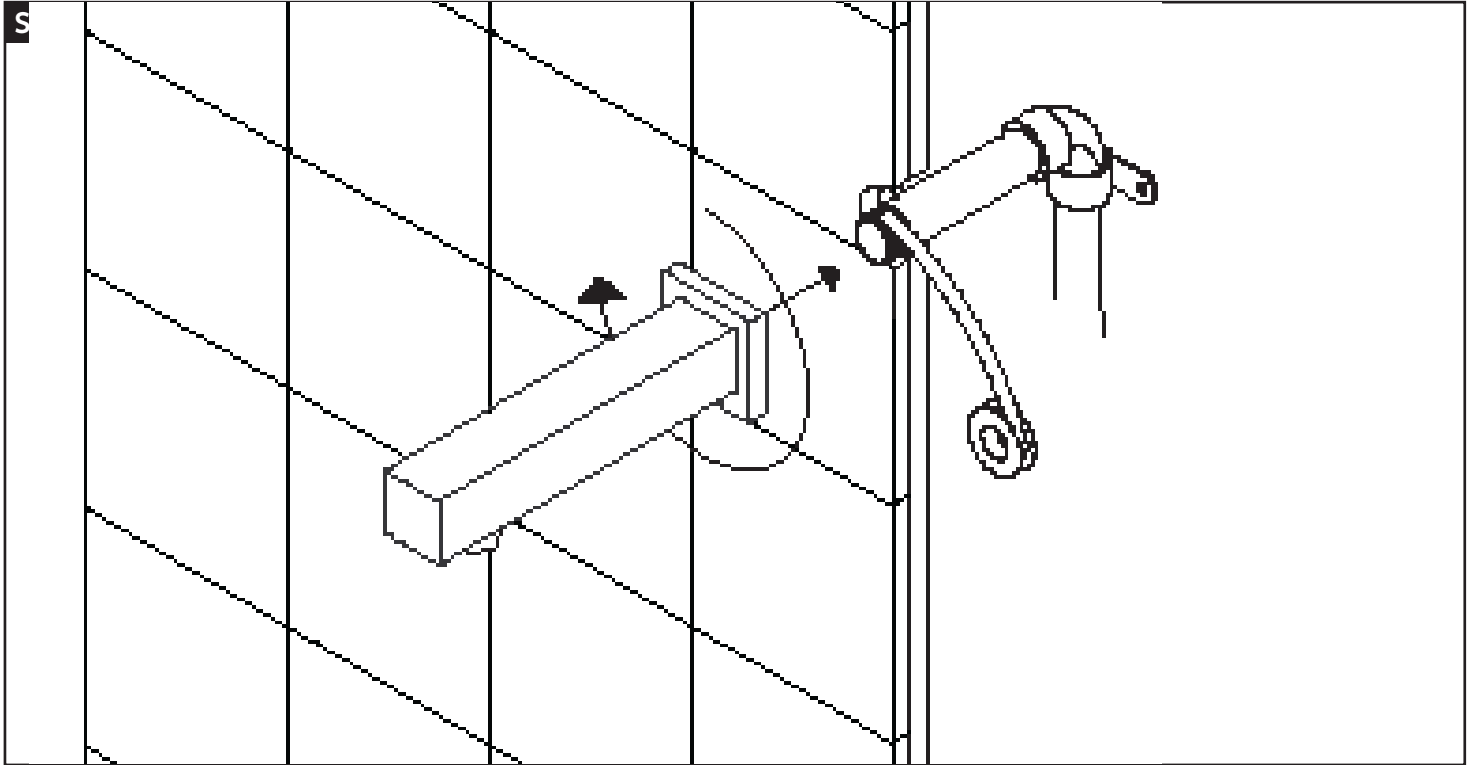


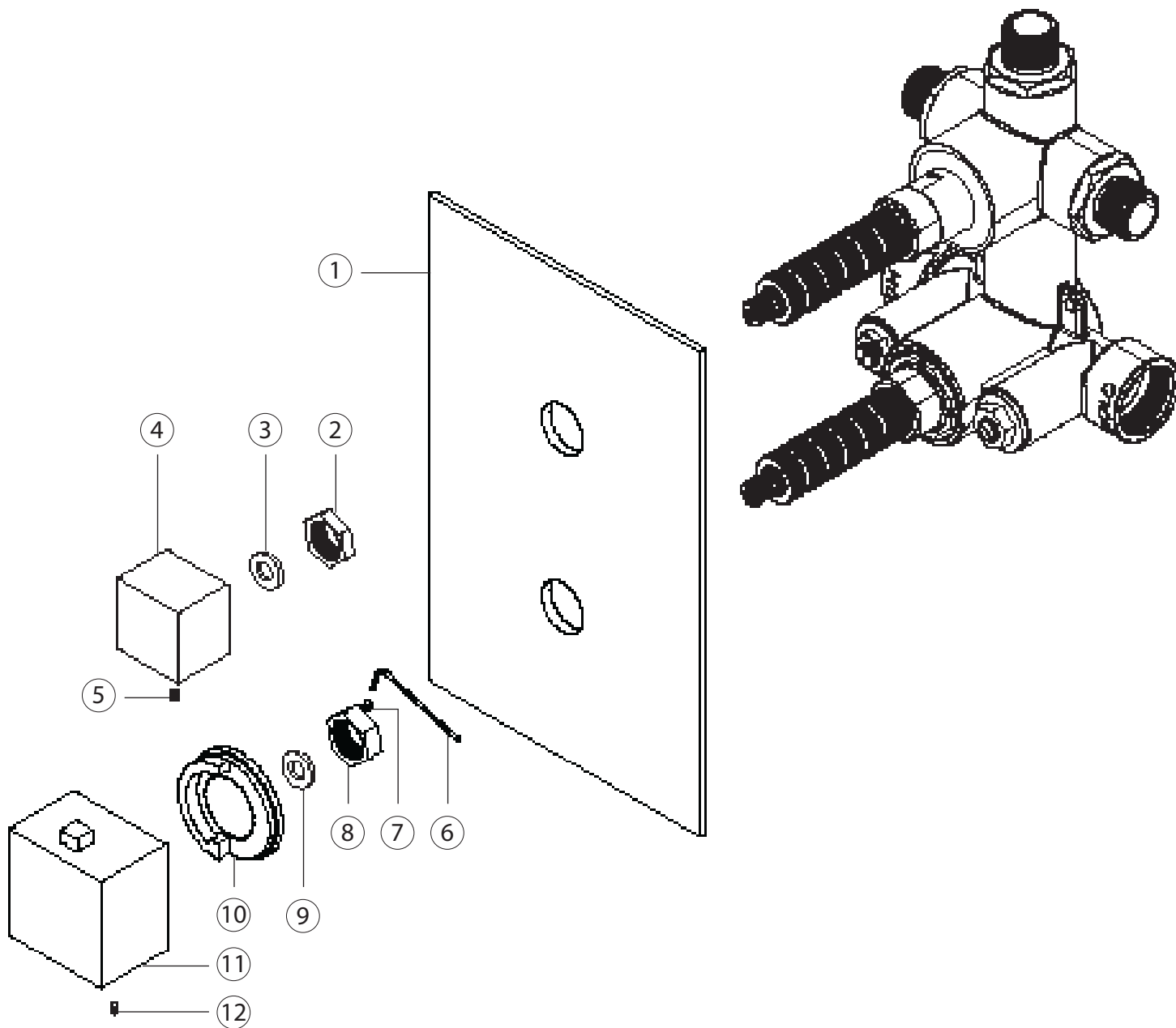
artos[®]

PS115

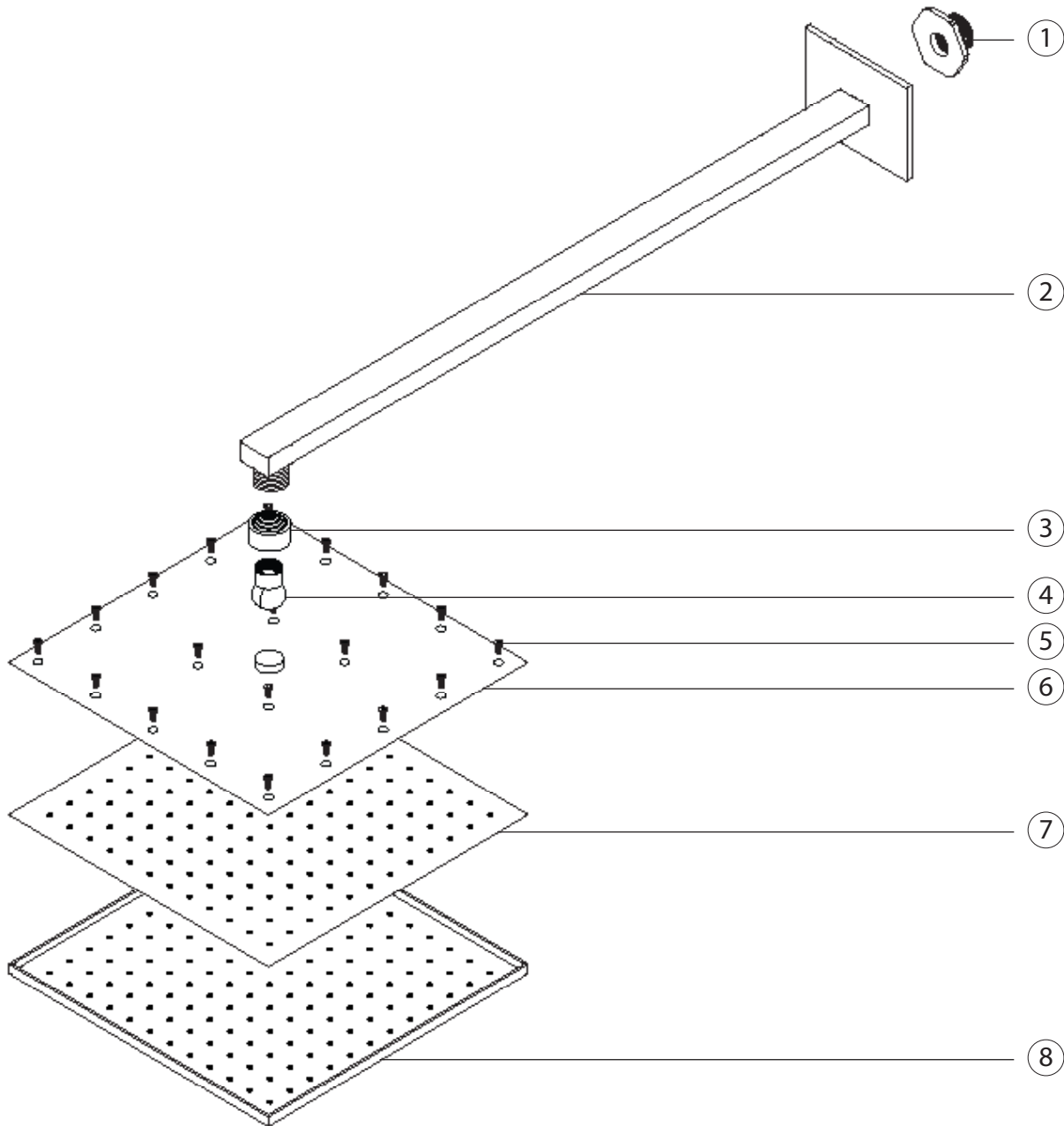
premier series shower set



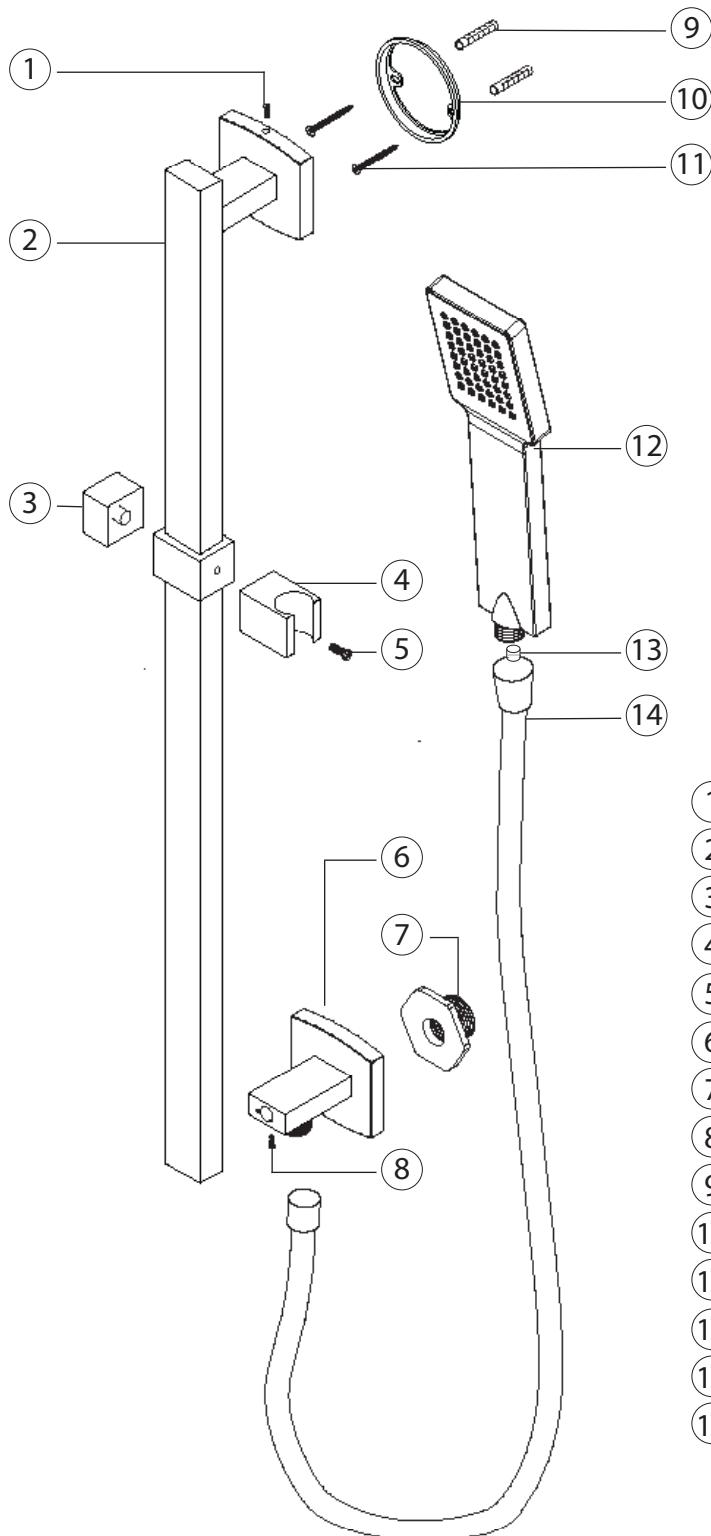




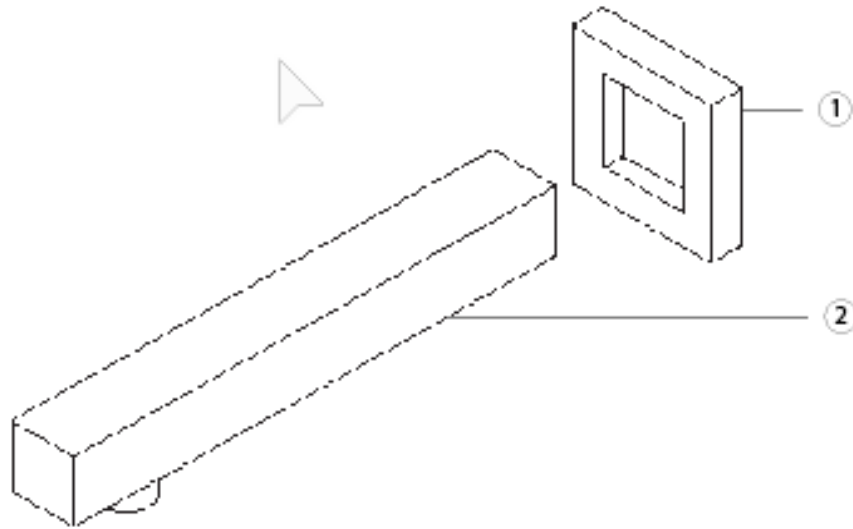
- | | |
|-----------------------------------------------|----------------------------------------------------|
| ① ESCUTCHEON F903B-59TK XP1 | ⑧ THERMOSTAT LOCKING NUT F903B-59TK XP8 |
| ② DIVERTER LOCKING NUT F903B-59TK XP2 | ⑨ NYLON WASHER F903B-59TK XP9 |
| ③ NYLON WASHER F903B-59TK XP3 | ⑩ TEMPERATURE LIMITING RING F903B-59TK XP10 |
| ④ DIVERTER HANDLE F903B-59TK XP4 | ⑪ THERMOSTAT HANDLE F903B-59TK XP11 |
| ⑤ DIVERTER SET SCREW F903B-59TK XP5 | ⑫ THERMOSTAT SET SCREW F903B-59TK XP12 |
| ⑥ ALLEN WRENCH F903B-59TK XP6 | |
| ⑦ LOCKING NUT SET SCREW F903B-59TK XP7 | |



- ① **SHOWER FITTING** F907-50 XP1
- ② **SHOWER ARM** F907-50 XP2
- ③ **SWIVEL ARM SECURING NUT** F907-50 XP3
- ④ **SWIVEL ARM** F907-50 XP4
- ⑤ **SHOWER HEAD SCREWS** F907-50 XP5
- ⑥ **SHOWER HEAD TOP** F907-50 XP6
- ⑦ **RUBBER MATRIX** F907-50 XP7
- ⑧ **SHOWER HEAD BOTTOM** F907-50 XP8



- ① **WALL BRACKET SET SCREW** F907-46 XP1
- ② **SLIDE BAR** F907-46 XP2
- ③ **SLIDE BAR ADJUSTMENT HANDLE** F907-46 XP3
- ④ **HAND SHOWER HOLDER** F907-46 XP4
- ⑤ **HAND SHOWER HOLDER SCREW** F907-46 XP5
- ⑥ **SLIDE BAR INLET/OUTLET** F907-46 XP6
- ⑦ **INLET ADAPTER** F907-46 XP7
- ⑧ **SLIDE BAR INLET/OUTLET SET SCREW** F907-46 XP8
- ⑨ **WALL ANCHORS** F907-46 XP9
- ⑩ **WALL BRACKET** F907-46 XP10
- ⑪ **WALL BRACKET SCREWS** F907-46 XP11
- ⑫ **HAND SHOWER** F907-46 XP12
- ⑬ **HAND SHOWER CHECK VALVE** F907-46 XP13
- ⑭ **HAND SHOWER HOSE** F907-46 XP14



artos[®]

PS115

CARE & MAINTENANCE

premier series shower set

For best results, keep the following in mind to retain the high quality finish of your artos[®] shower kit:

- Use a soft, dampened sponge or cloth. On no account should you use an abrasive material such as a brush, scouring pad or steel wool to clean surfaces.
- Test your cleaning agent solution on an inconspicuous area before applying to the entire product.
- Wipe surfaces clean and rinse completely with water immediately after applying cleaning agent.
- An ideal cleaning technique is to rinse faucet thoroughly and blot dry any water from the surface after each use.

LIMITED LIFETIME WARRANTY

artos[®] shower kits are guaranteed for life against leaks and finishing defects for as long as the original purchaser owns it.

Damage caused by accident, misuse, abuse, improper installation, improper cleaning or alteration will void the warranty. This warranty does not cover replacement parts where damage is caused by normal wear and tear. Westover, Inc is not responsible for labor charges, installation or other incidental or consequential costs. Proof of purchase must be provided with all claims.

Please register this product online at WWW.ARTOS.US.COM

ITEM NO. **PS115**
SERIAL NO.