

artos[®]

F907-70

INSTALLATION GUIDE

10" shower rainhead, wall
mount arm r+s

BRUSHED NICKEL(BN)



CHROME(CH)



artos[®]

F907-70

OPERATING SPECIFICATIONS

10" shower rainhead, wall
mount arm r+s



FEATURES

Solid Brass

OPERATING PRESSURE

Minimum: 15 psi

Maximum: 75 psi

Above 90psi it may be necessary to install a pressure reducer

OPERATING TEMPERATURE

Maximum: 176°

FLOW RATE

1.8 USGPM

APPROVALS

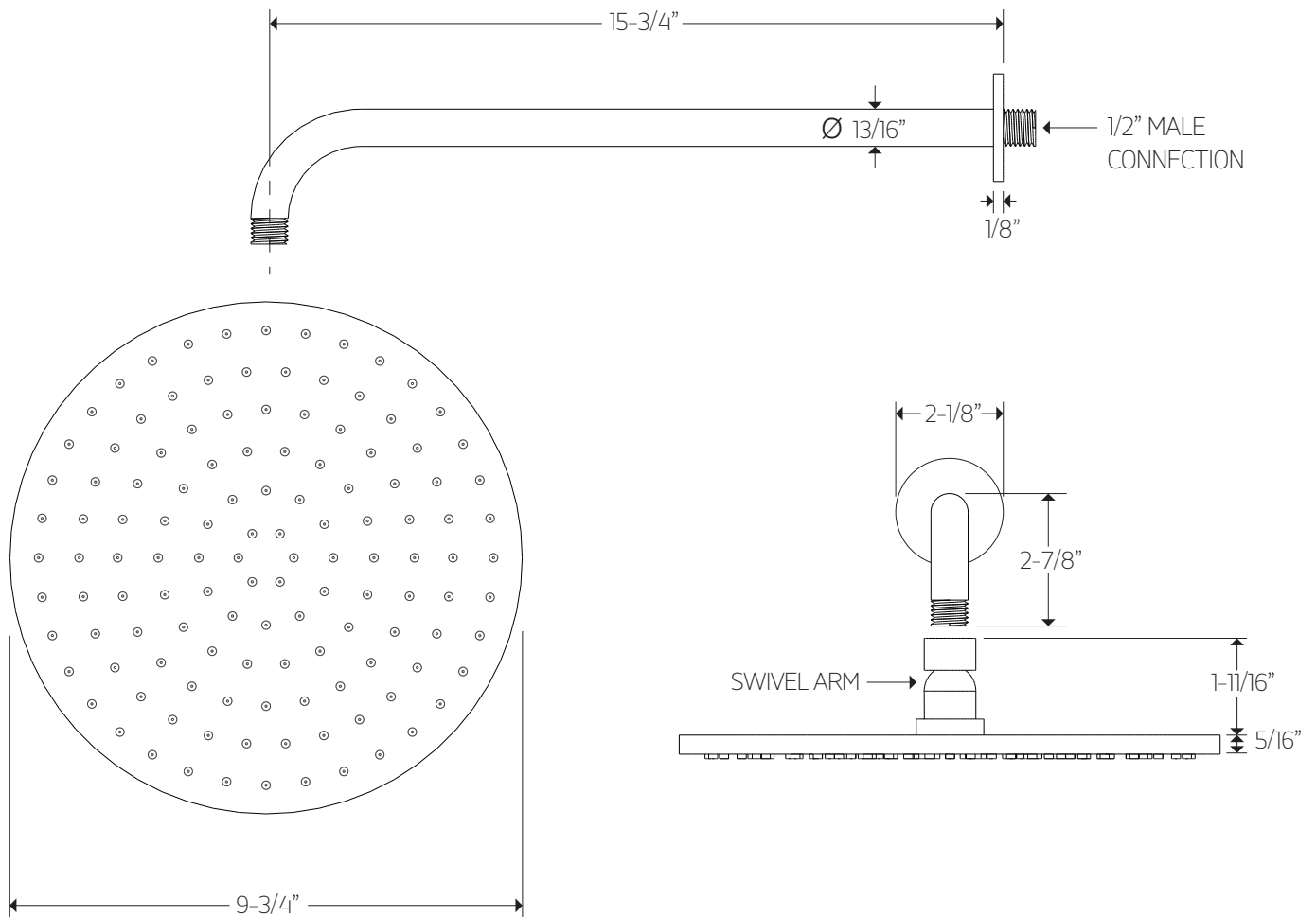


artos[®]

F907-70

PRODUCT DIMENSIONS

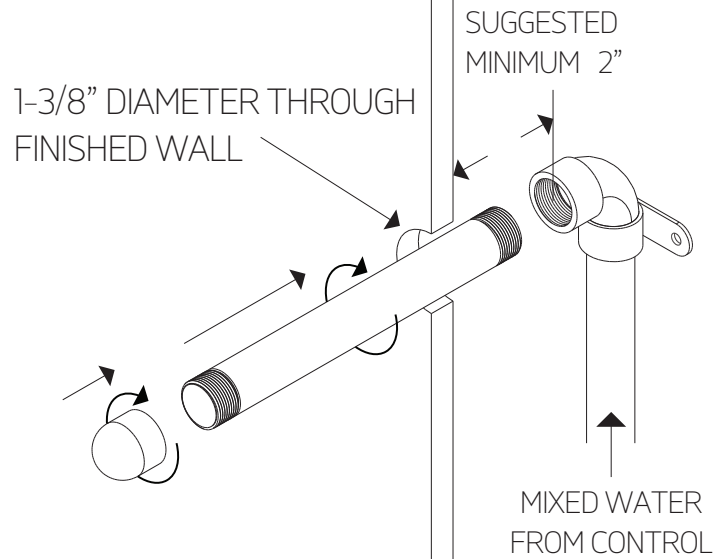
10" shower rainhead, wall
mount arm r+s



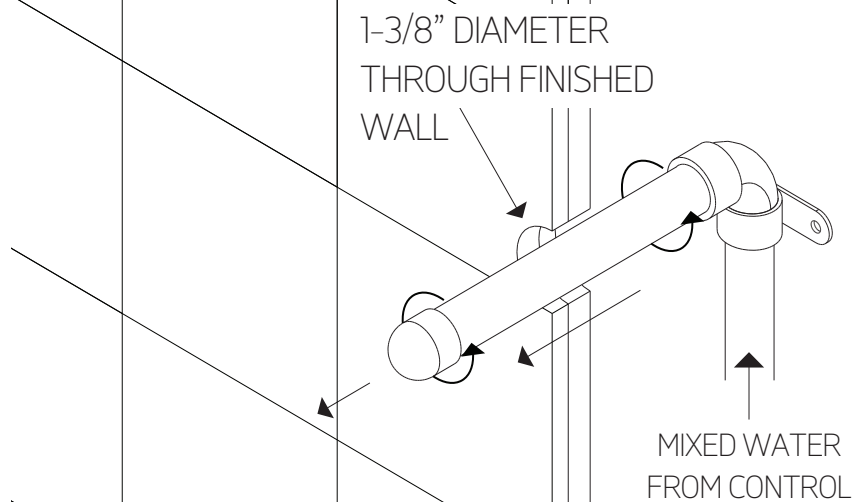
F907-70

10" shower rainhead, wall
mount arm r+s

STEP 1

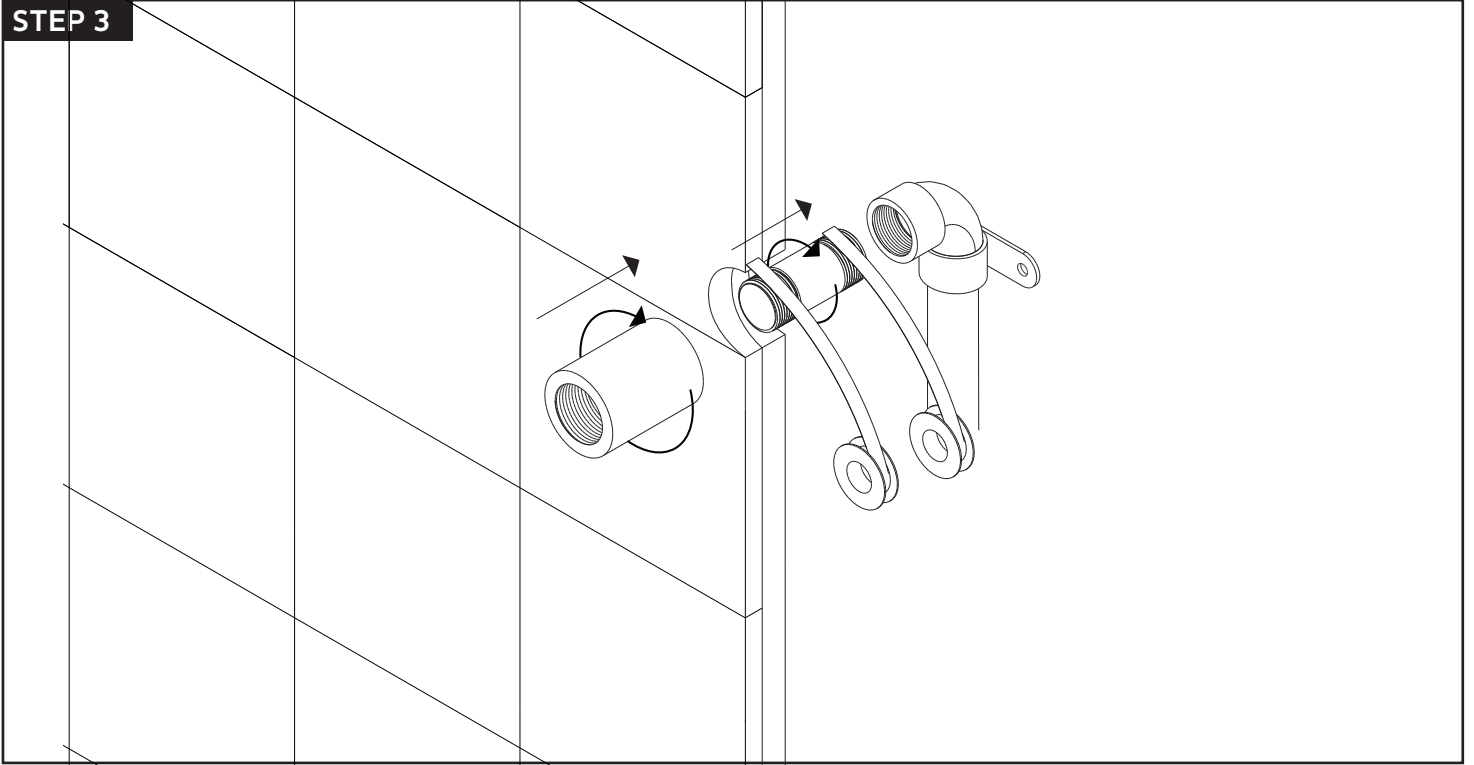


STEP 2

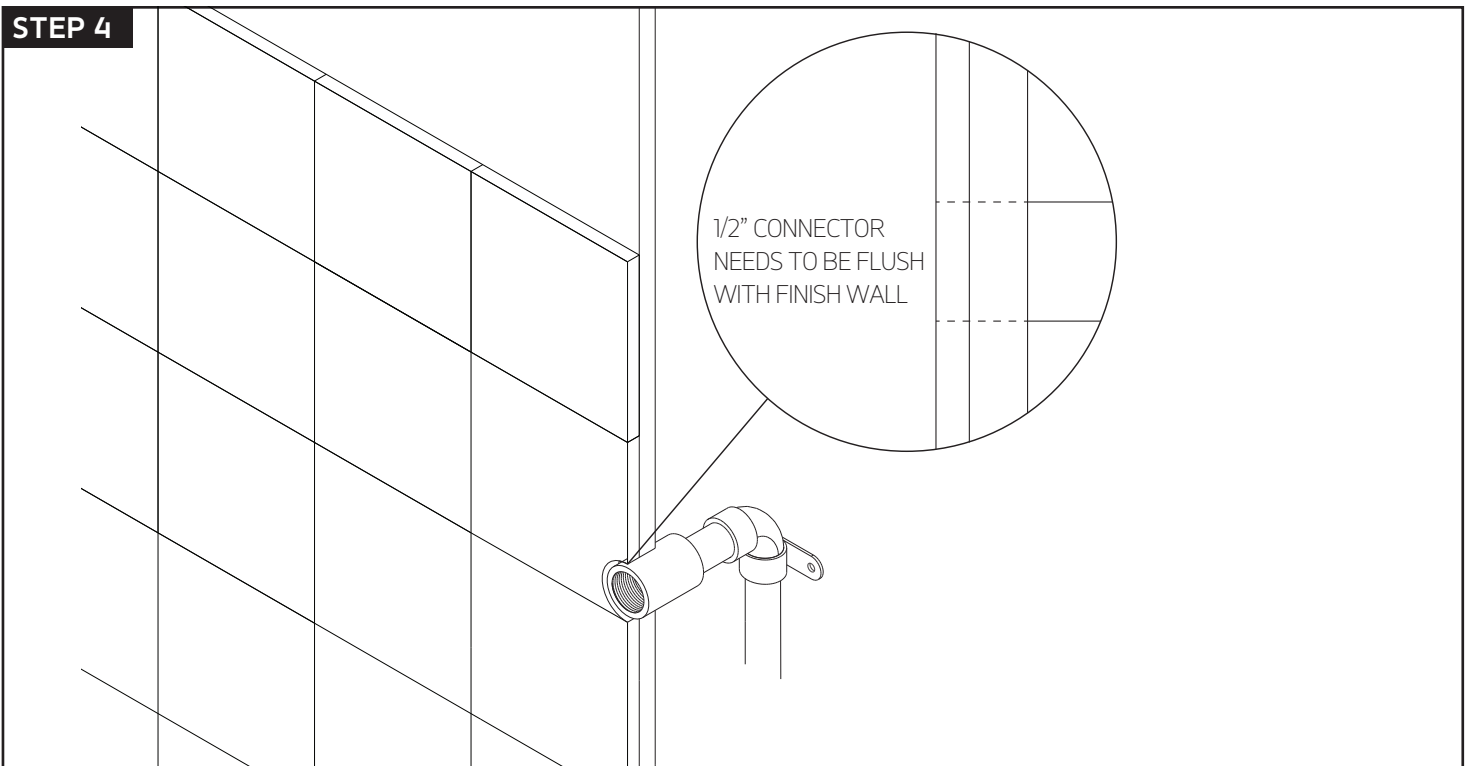


INSTALLATION STEPS

STEP 3



STEP 4

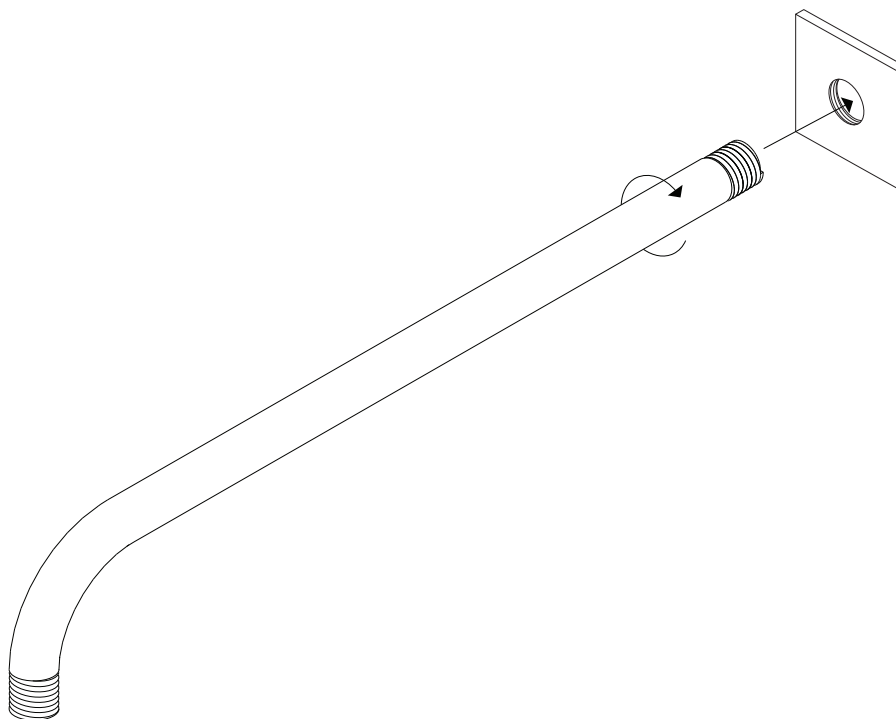


artos[®]

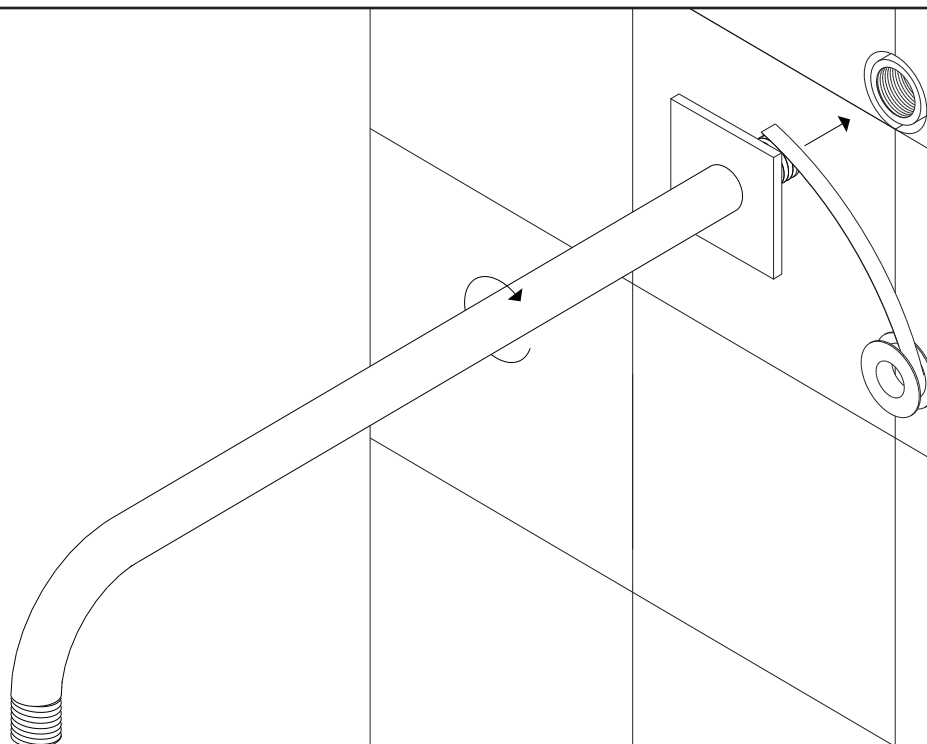
F907-70

10" shower rainhead, wall
mount arm r+s

STEP 5

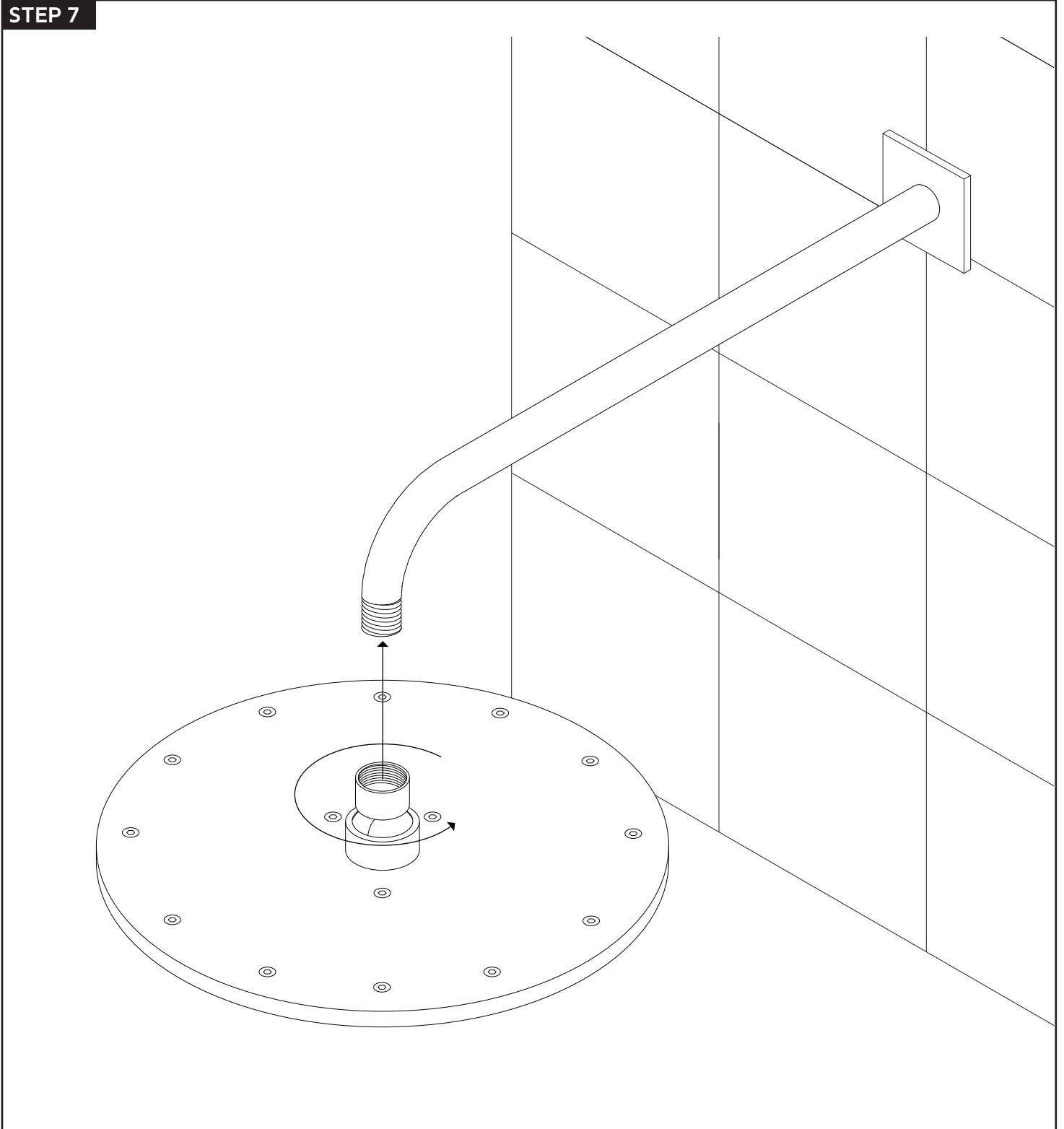


STEP 6



INSTALLATION STEPS

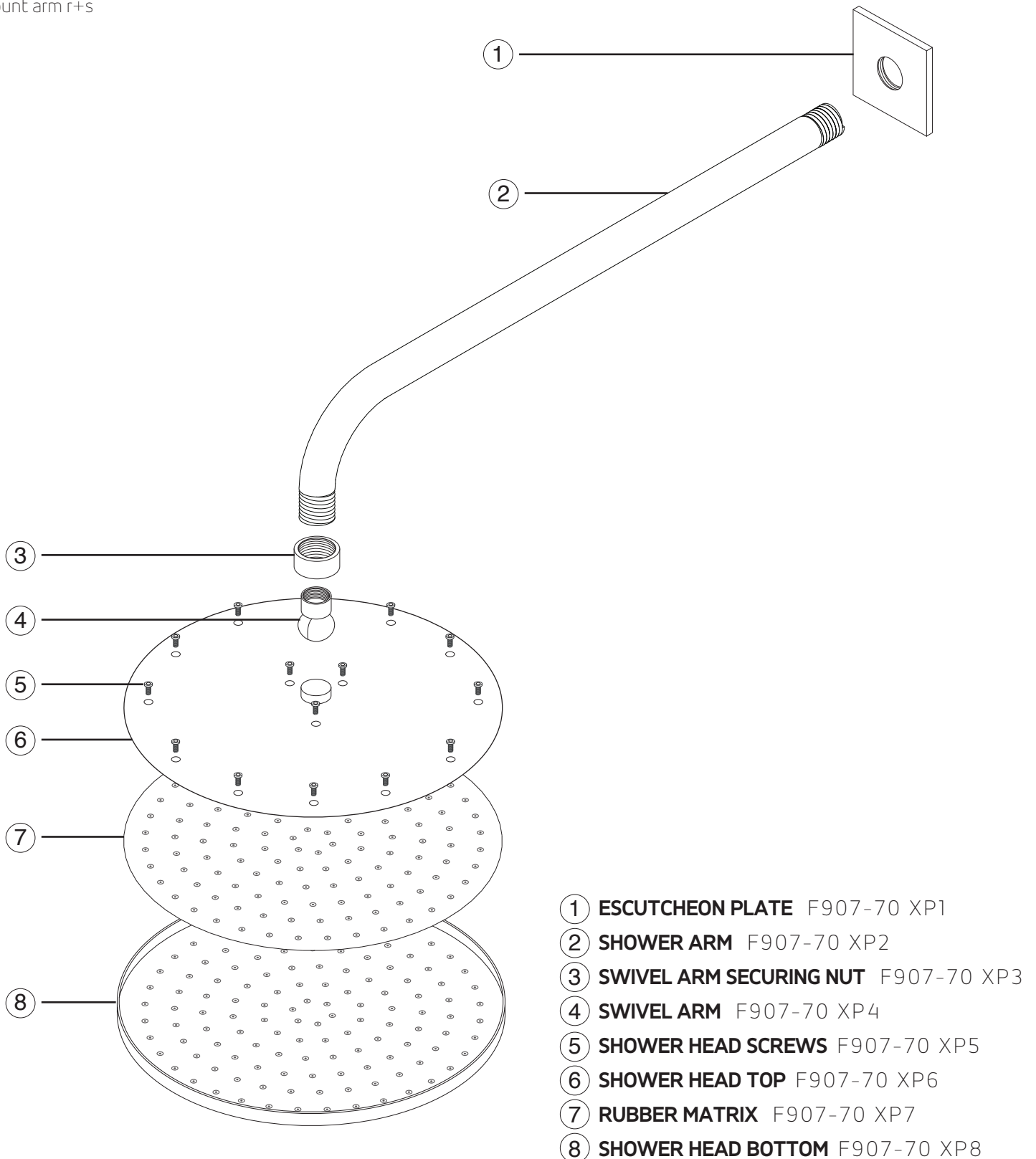
STEP 7



artos[®]

F907-70

10" shower rainhead, wall
mount arm r+s



- ① **ESCUTCHEON PLATE** F907-70 XP1
- ② **SHOWER ARM** F907-70 XP2
- ③ **SWIVEL ARM SECURING NUT** F907-70 XP3
- ④ **SWIVEL ARM** F907-70 XP4
- ⑤ **SHOWER HEAD SCREWS** F907-70 XP5
- ⑥ **SHOWER HEAD TOP** F907-70 XP6
- ⑦ **RUBBER MATRIX** F907-70 XP7
- ⑧ **SHOWER HEAD BOTTOM** F907-70 XP8

artos[®]

F907-70

10" shower rainhead, wall
mount arm r+s

CARE & MAINTENANCE

For best results, keep the following in mind to retain the high quality finish of your artos[®] faucets:

- Use a soft, dampened sponge or cloth. On no account should you use an abrasive material such as a brush, scouring pad or steel wool to clean surfaces.
- Test your cleaning agent solution on an inconspicuous area before applying to the entire faucet.
- Wipe surfaces clean and rinse completely with water immediately after applying cleaning agent.
- An ideal cleaning technique is to rinse faucet thoroughly and blot dry any water from the surface after each use.

LIMITED LIFETIME WARRANTY

artos[®] faucets are guaranteed for life against leaks and finishing defects for as long as the original purchaser owns it.

Damage caused by accident, misuse, abuse, improper installation, improper cleaning or alteration will void the warranty. This warranty does not cover replacement parts where damage is caused by normal wear and tear. Westover, Inc is not responsible for labor charges, installation or other incidental or consequential costs. Proof of purchase must be provided with all claims.

Please register this product online at WWW.ARTOS.US.COM

ITEM NO. **F907-70**
SERIAL NO.