

# artos®

## F907-61

## INSTALLATION GUIDE

10" shower rainhead ceiling  
mount, 4-3/4." arm rnd

BRUSHED NICKEL(BN)



CHROME(CH)



# artos®

F907-61

10" shower rainhead ceiling  
mount, 4-3/4." arm rnd

## OPERATING SPECIFICATIONS



### FEATURES

Solid Brass

### OPERATING PRESSURE

Minimum: 15 psi

Maximum: 75 psi

Above 90psi it may be necessary to install a pressure  
reducer

### OPERATING TEMPERATURE

Maximum: 176°

### FLOW RATE

1.8 USGPM

### APPROVALS

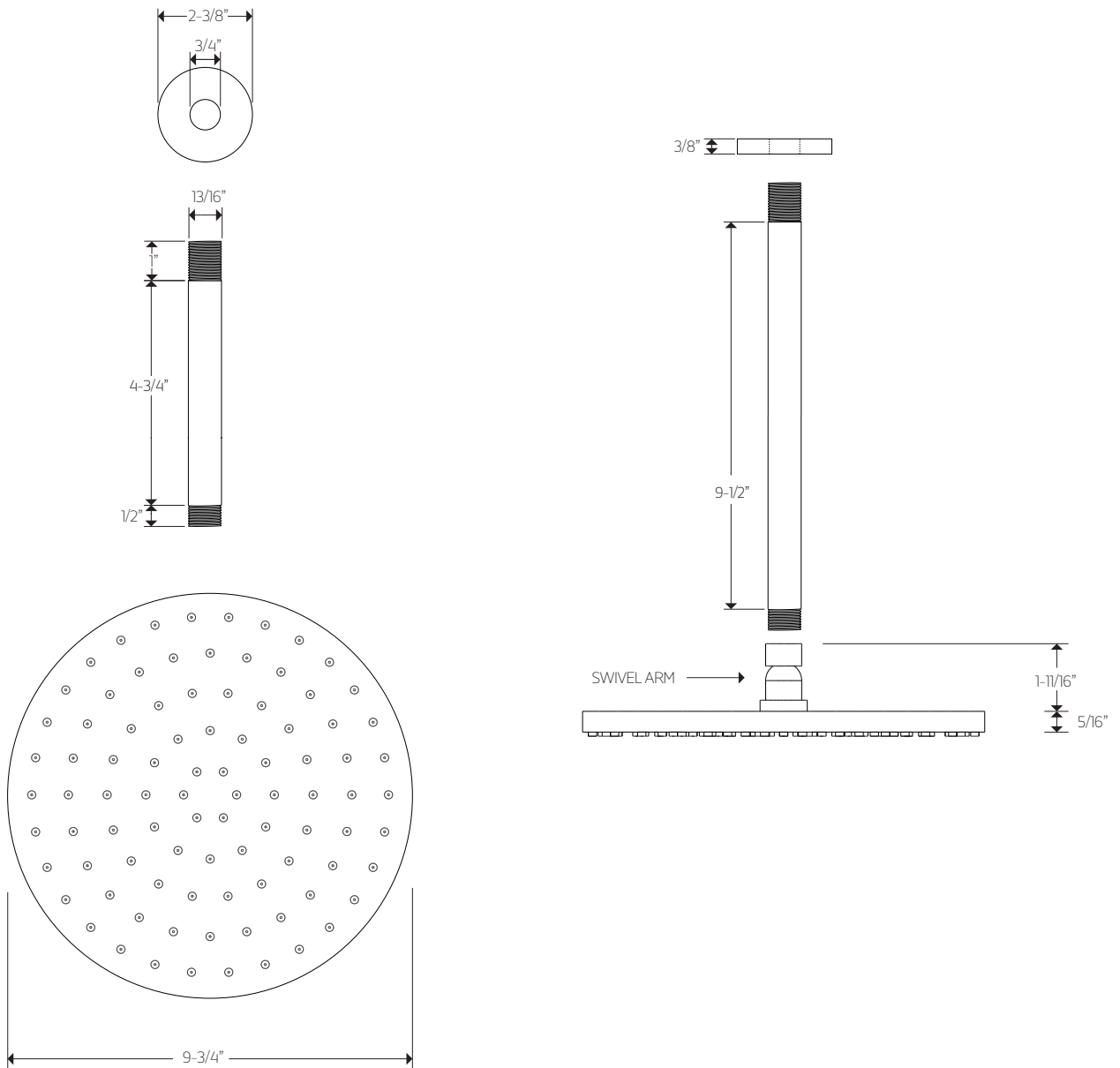


# artos®

## F907-61

## PRODUCT DIMENSIONS

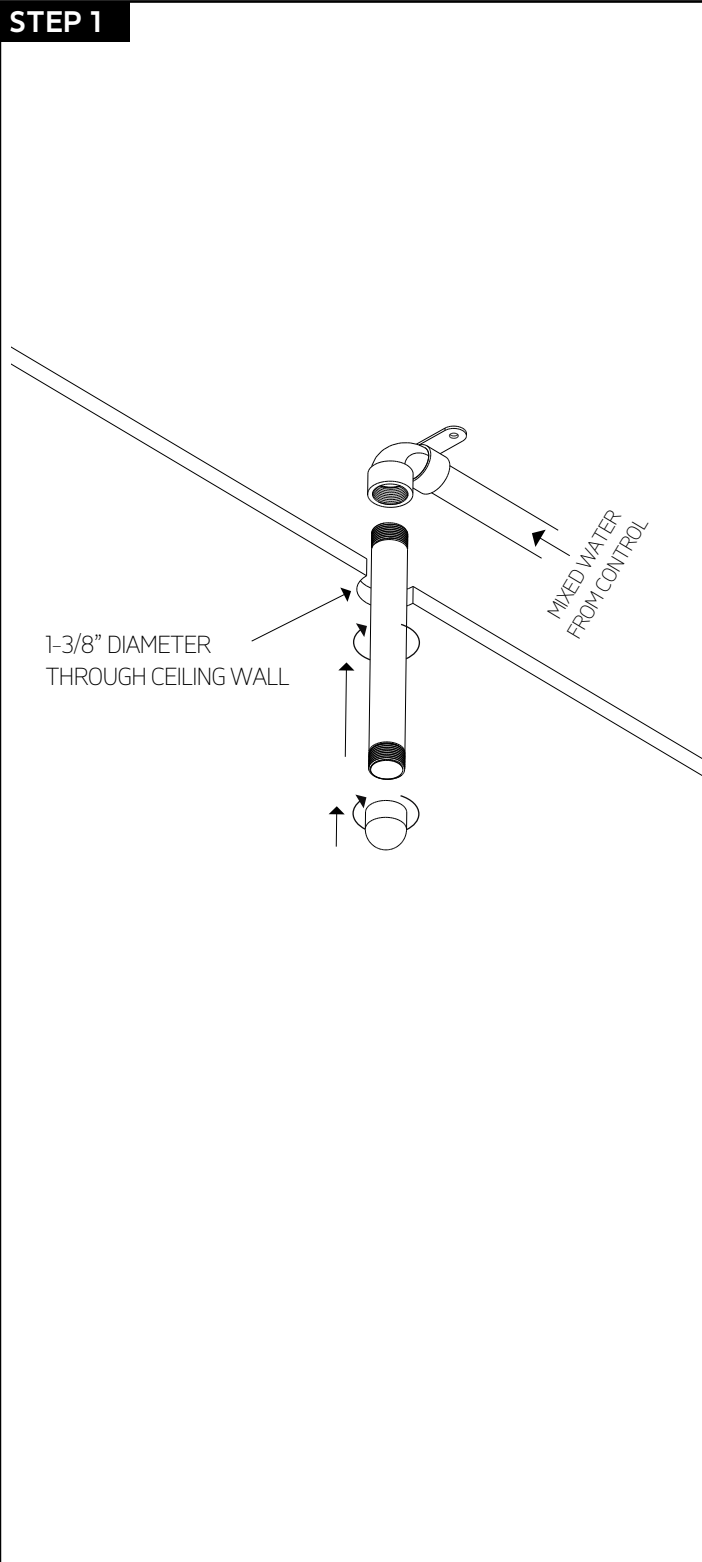
10" shower rainhead ceiling  
mount, 4-3/4." arm rnd



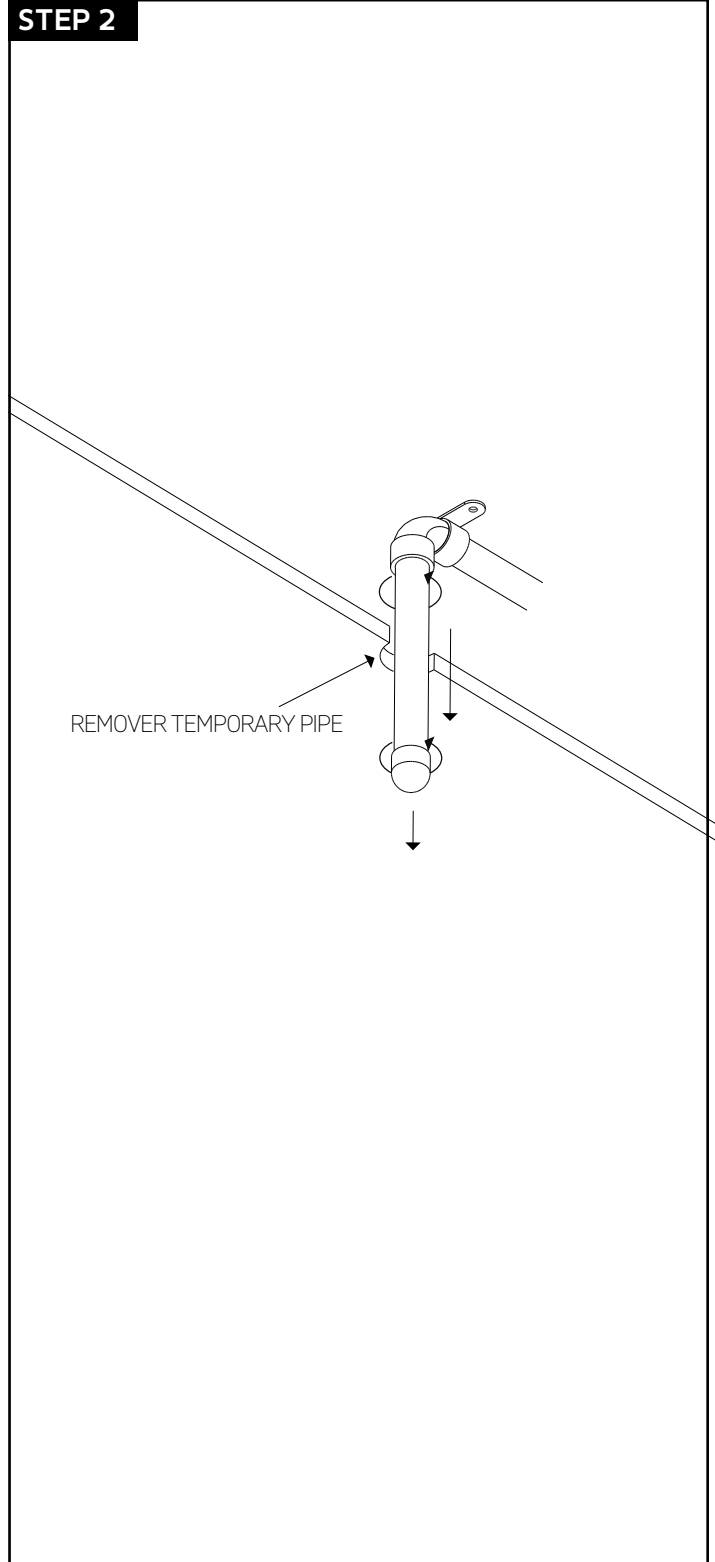
F907-62

10" shower rainhead ceiling  
mount, 4-3/4." arm rnd

## STEP 1

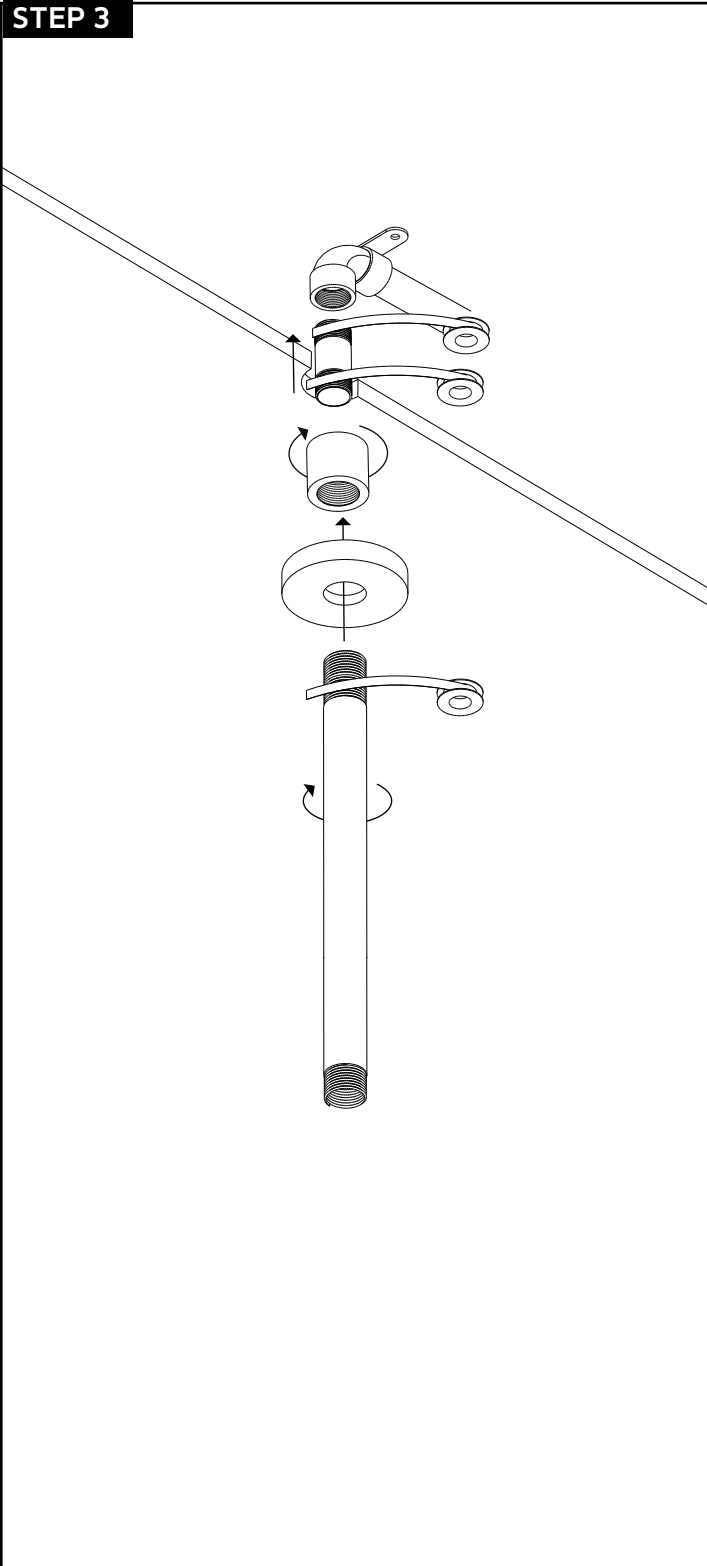


## STEP 2

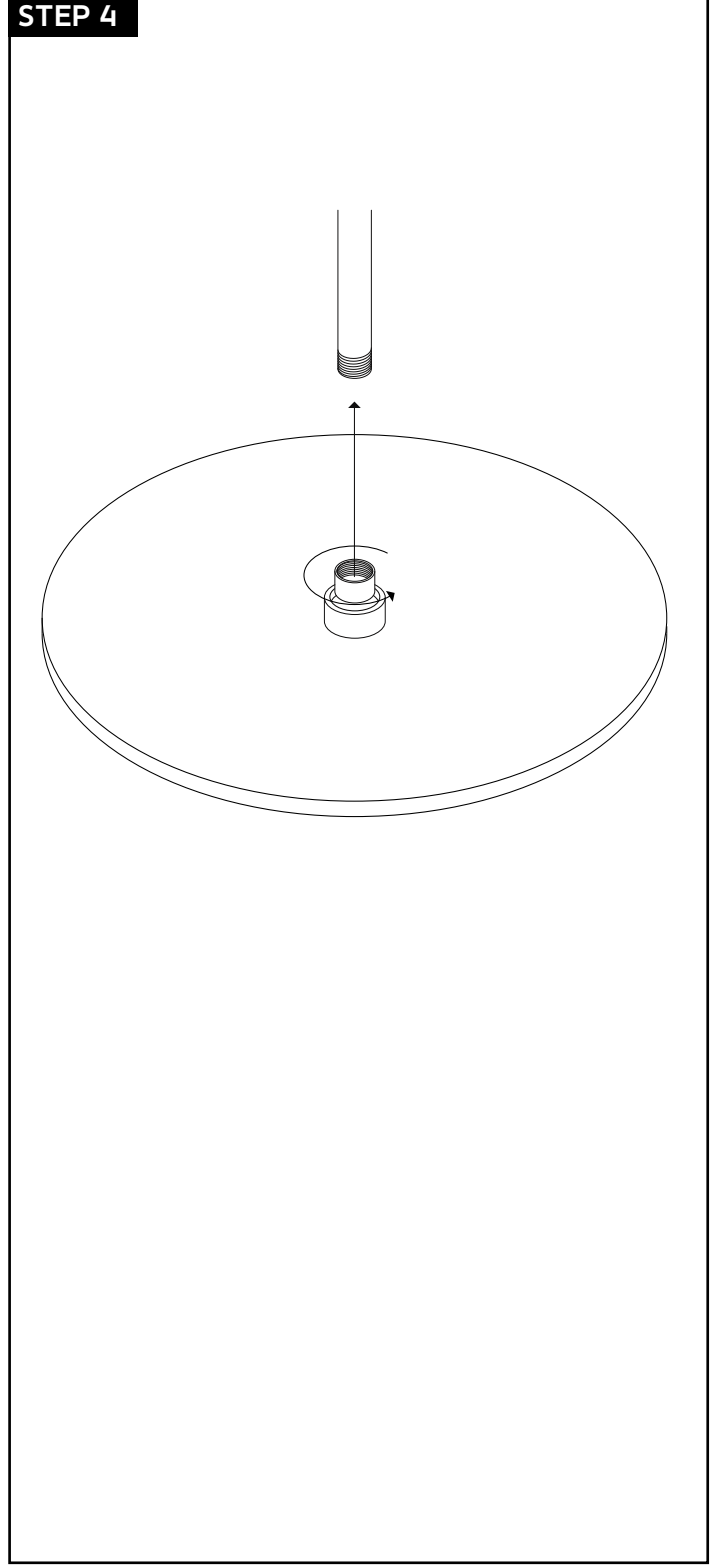


# INSTALLATION STEPS

STEP 3



STEP 4

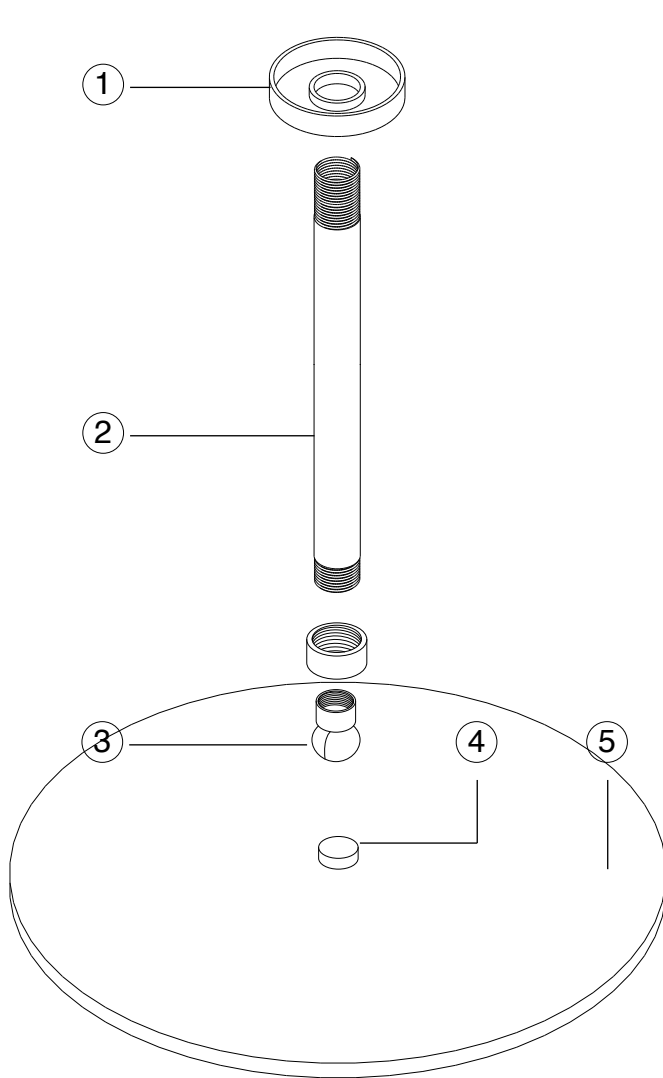


# artos®

## F907-61

## PARTS BREAKDOWN

10" shower rainhead ceiling  
mount, 4-3/4." arm rnd



- ① **ESCUTCHEON** F907-61 XP1
- ② **SHOWER ARM** F907-61 XP2
- ③ **SWIVEL ARM SECURING NUT** F907-61 XP4
- ④ **SWIVEL ARM** F907-61 XP5
- ⑤ **RAINHEAD** F907-61 XP6

# artos®

## F907-61

10" shower rainhead ceiling  
mount, 4-3/4." arm rnd

### CARE & MAINTENANCE

For best results, keep the following in mind to retain the high quality finish of your artos® shower kit:

- Use a soft, dampened sponge or cloth. On no account should you use an abrasive material such as a brush, scouring pad or steel wool to clean surfaces.
- Test your cleaning agent solution on an inconspicuous area before applying to the entire product.
- Wipe surfaces clean and rinse completely with water immediately after applying cleaning agent.
- An ideal cleaning technique is to rinse faucet thoroughly and blot dry any water from the surface after each use.

### LIMITED LIFETIME WARRANTY

**artos® shower kits are guaranteed for life against leaks and finishing defects for as long as the original purchaser owns it.**

Damage caused by accident, misuse, abuse, improper installation, improper cleaning or alteration will void the warranty. This warranty does not cover replacement parts where damage is caused by normal wear and tear. Westover, Inc is not responsible for labor charges, installation or other incidental or consequential costs. Proof of purchase must be provided with all claims.

Please register this product online at [WWW.ARTOS.US.COM](http://WWW.ARTOS.US.COM)

ITEM NO. **F907-61**  
SERIAL NO.