

artos[®]

F907-28

INSTALLATION GUIDE

five function flexible hose
shower kit with slide bar and
integrated water outlet

BRUSHED NICKEL(BN)



CHROME(CH)



artos[®]

F907-28

OPERATING SPECIFICATIONS

five function flexible hose
shower kit with slide bar and
integrated water outlet



FEATURES

Integrated Water Outlet
60" Flexible Hose

OPERATING PRESSURE

Minimum: 15 psi
Maximum: 75 psi
Above 90psi it may be necessary to install a pressure reducer

OPERATING TEMPERATURE

Maximum: 176°

FLOW CAPACITY

1.8 USGPM

INLET/OUTLET

1/2" Female NPT

REQUIREMENTS

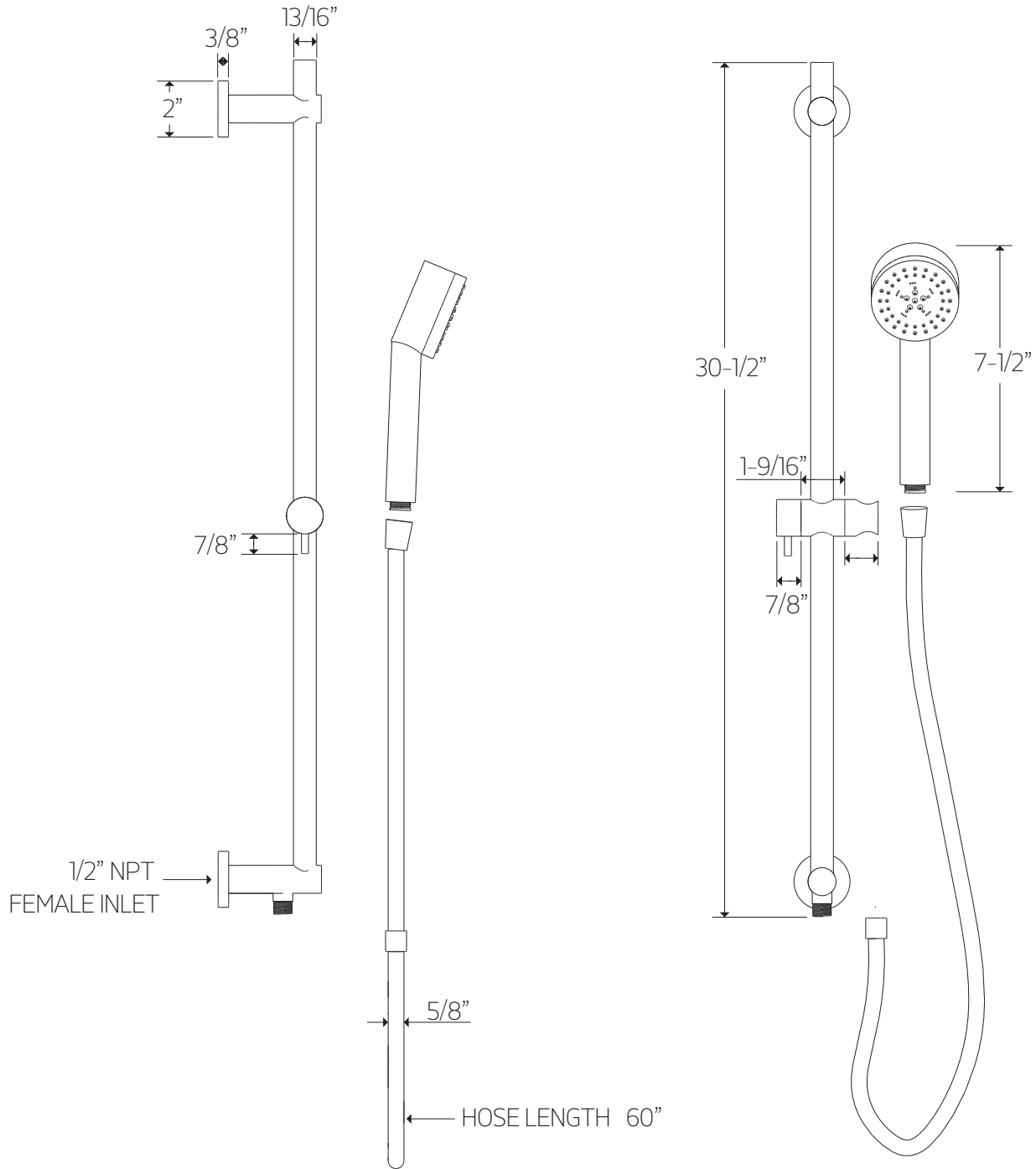
This unit requires a control

artos[®]

F907-28

PRODUCT DIMENSIONS

five function flexible hose
shower kit with slide bar and
integrated water outlet

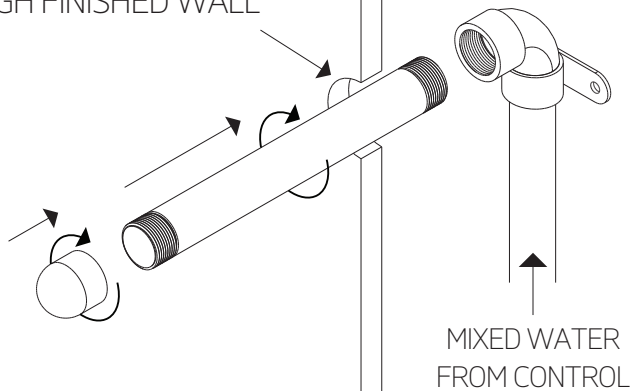


F907-28

five function flexible hose
shower kit with slide bar and
integrated water outlet

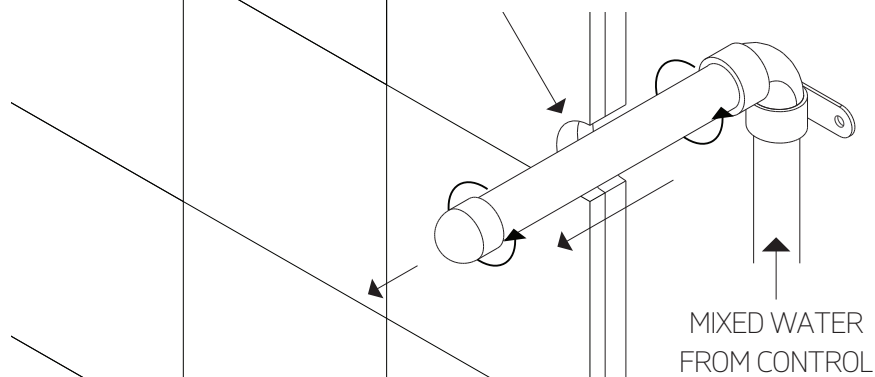
STEP 1 *ALL DIMENSIONS ARE APPROXIMATE

MAX:1-5/8" MIN:1-1/8" DIAMETER
THROUGH FINISHED WALL



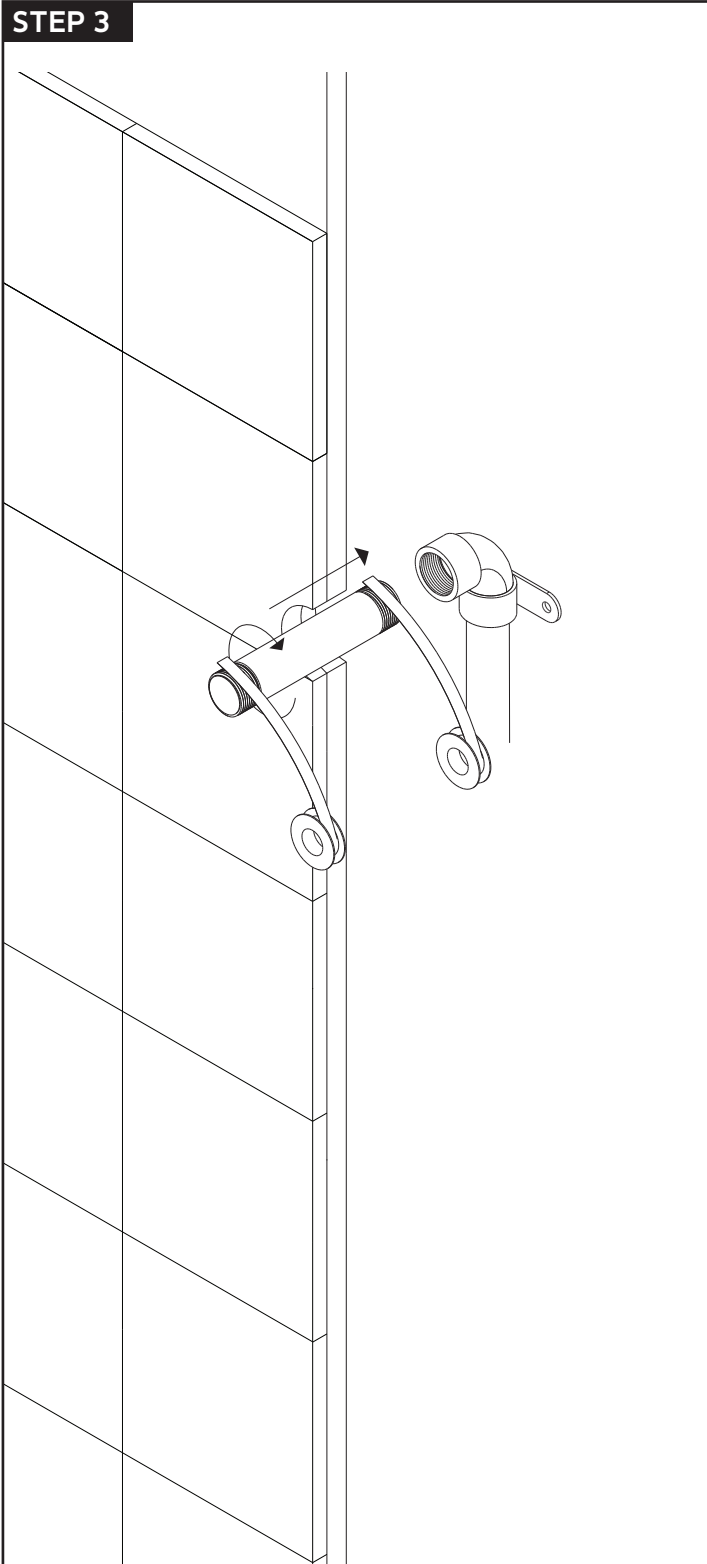
STEP 2

MAX:1-5/8" MIN:1-1/8"
DIAMETER THROUGH
FINISHED WALL

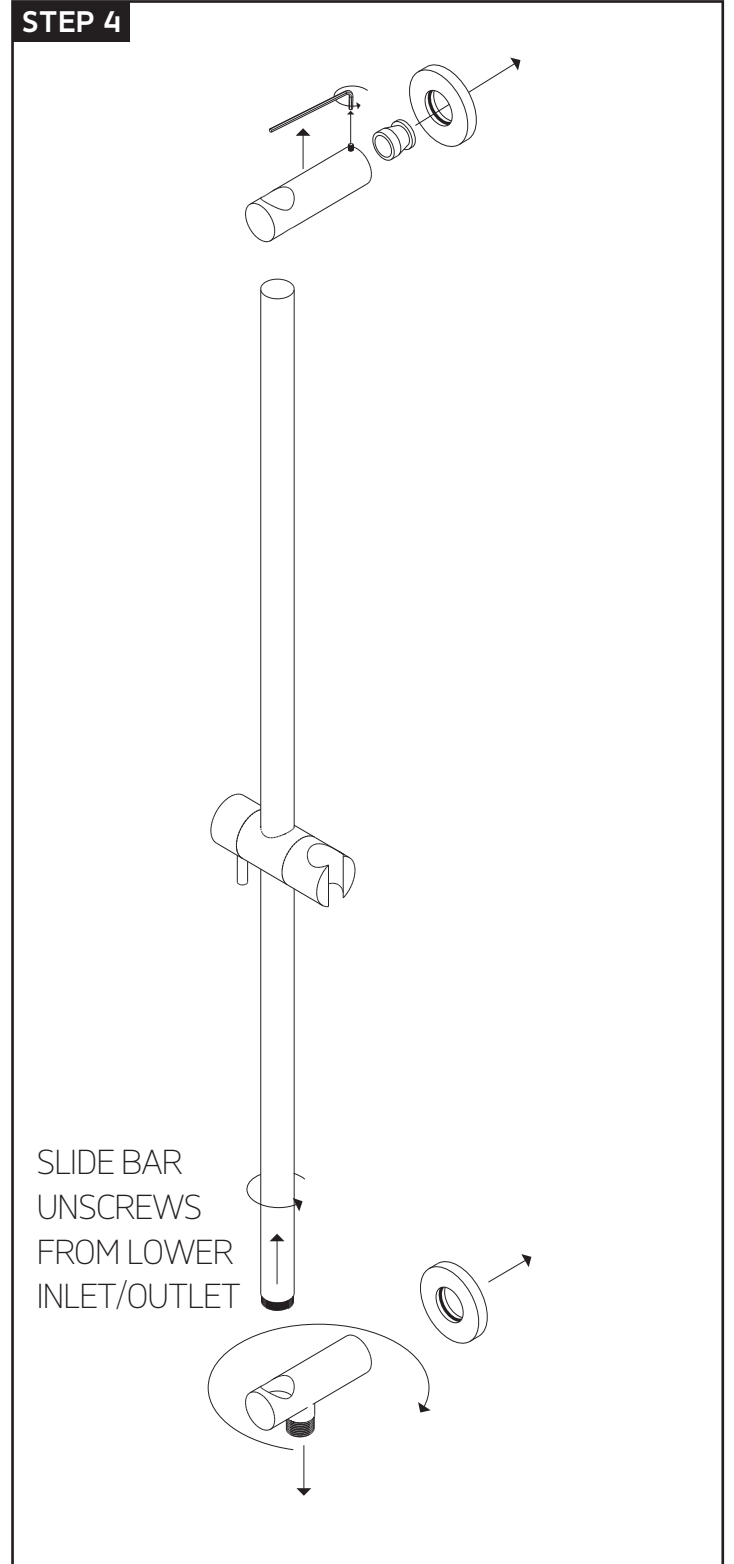


INSTALLATION STEPS

STEP 3



STEP 4

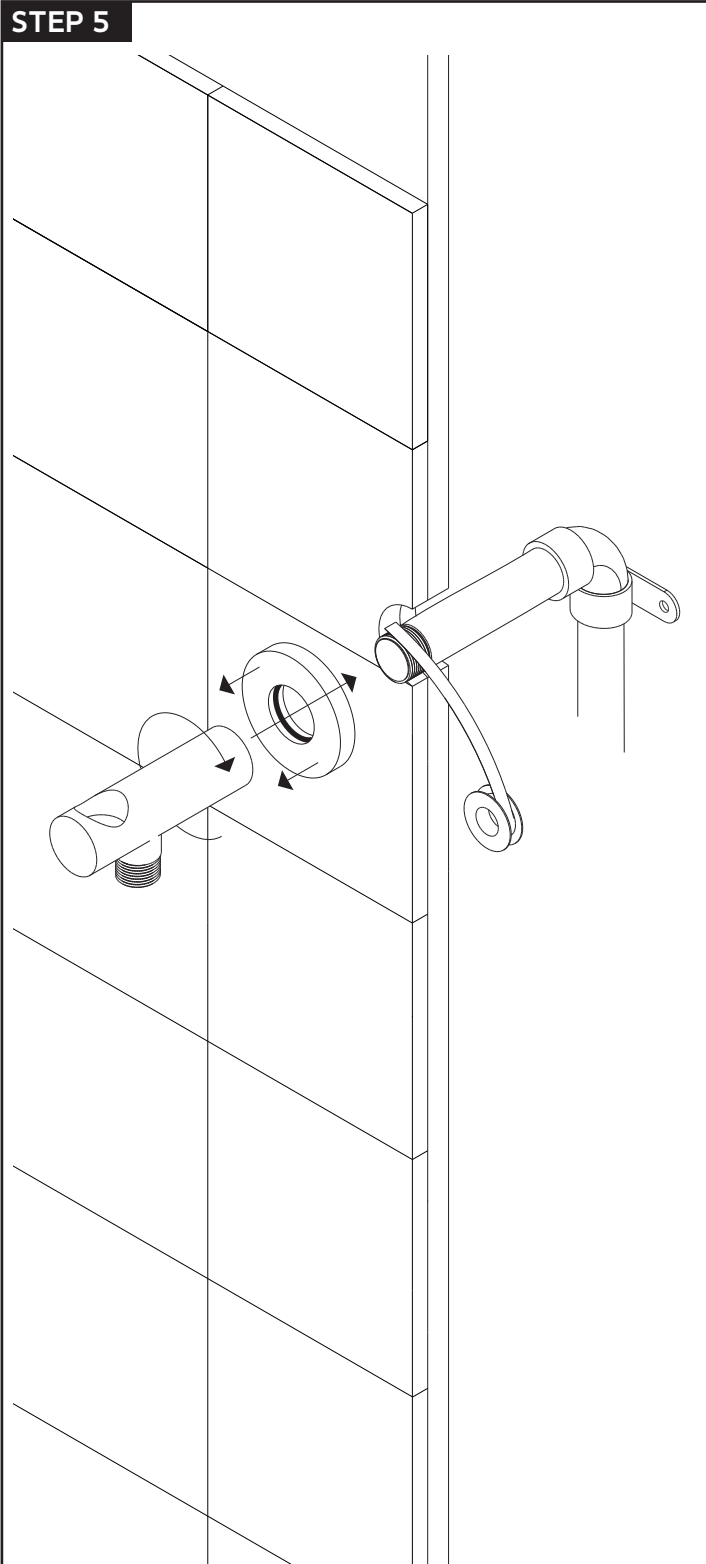


artos[®]

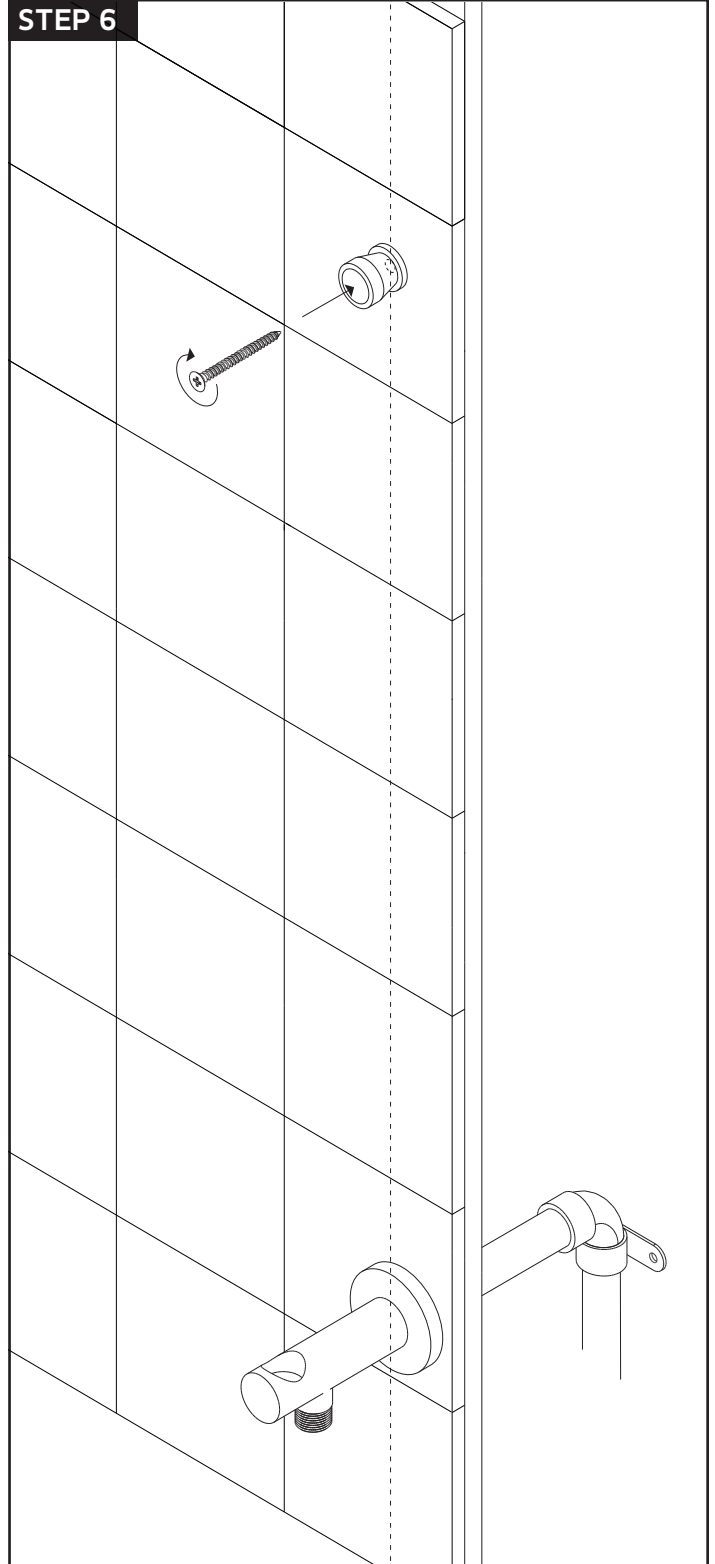
F907-28

five function flexible hose
shower kit with slide bar and
integrated water outlet

STEP 5

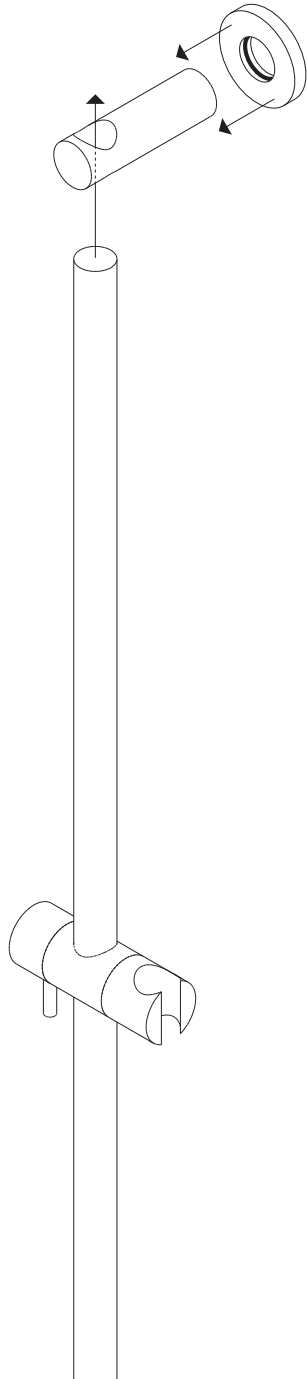


STEP 6

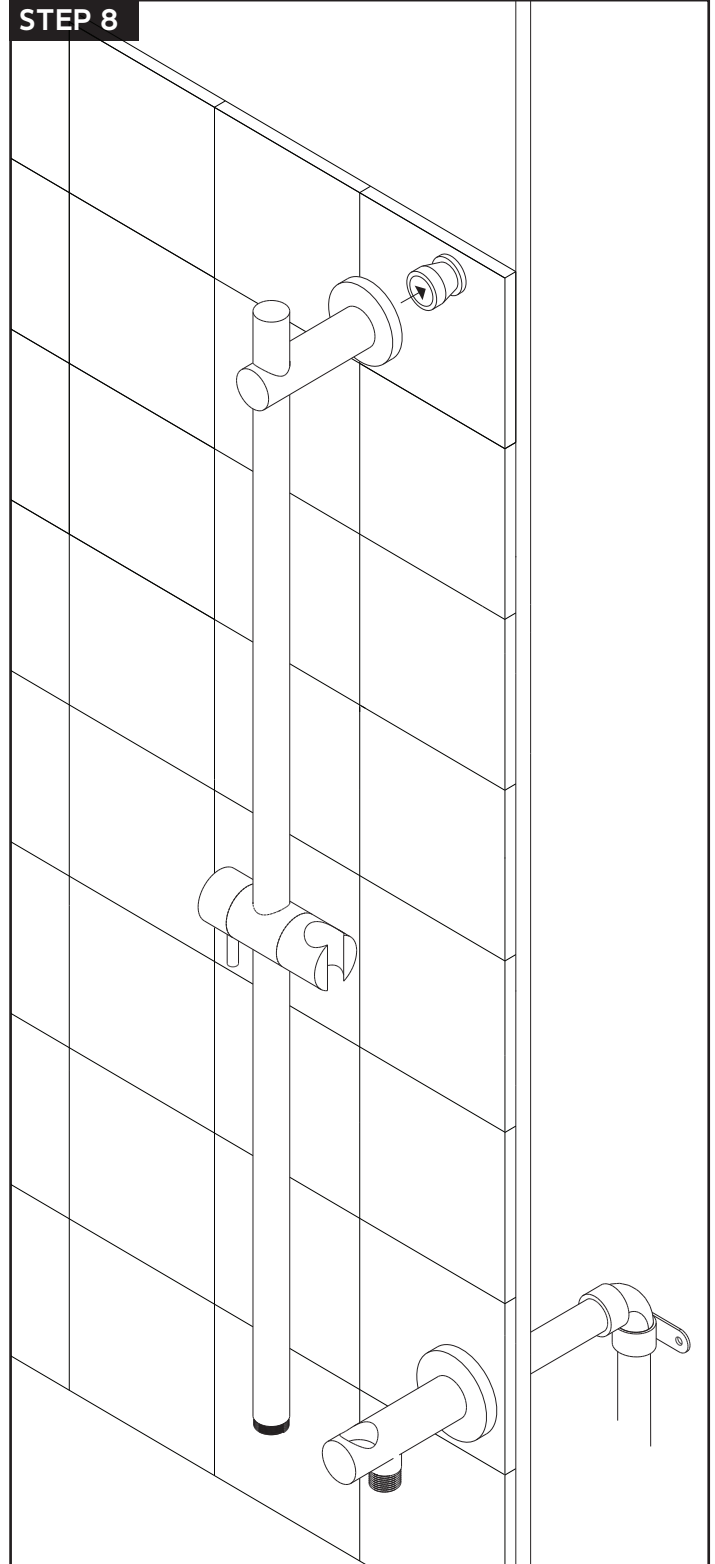


INSTALLATION STEPS

STEP 7



STEP 8

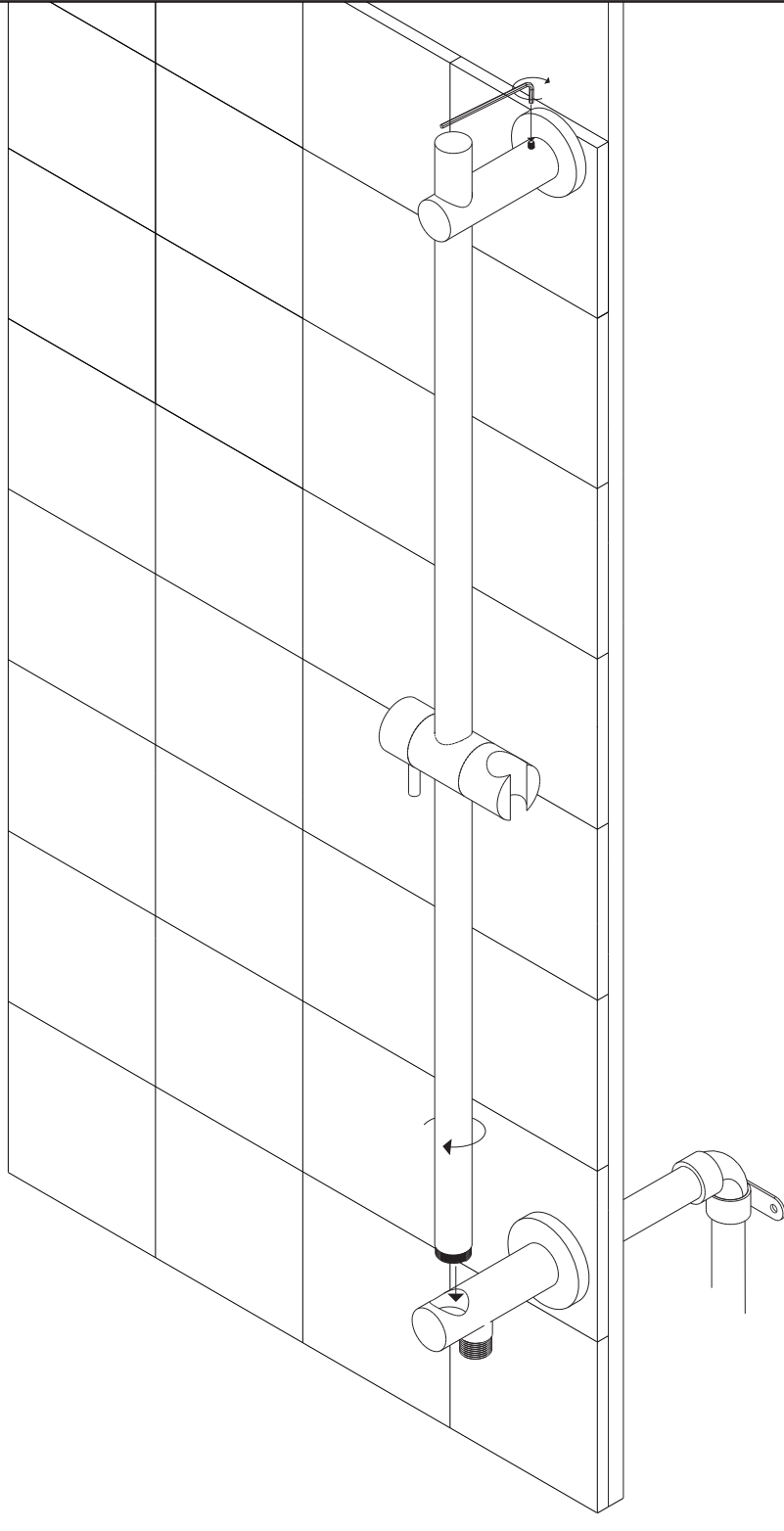


artos[®]

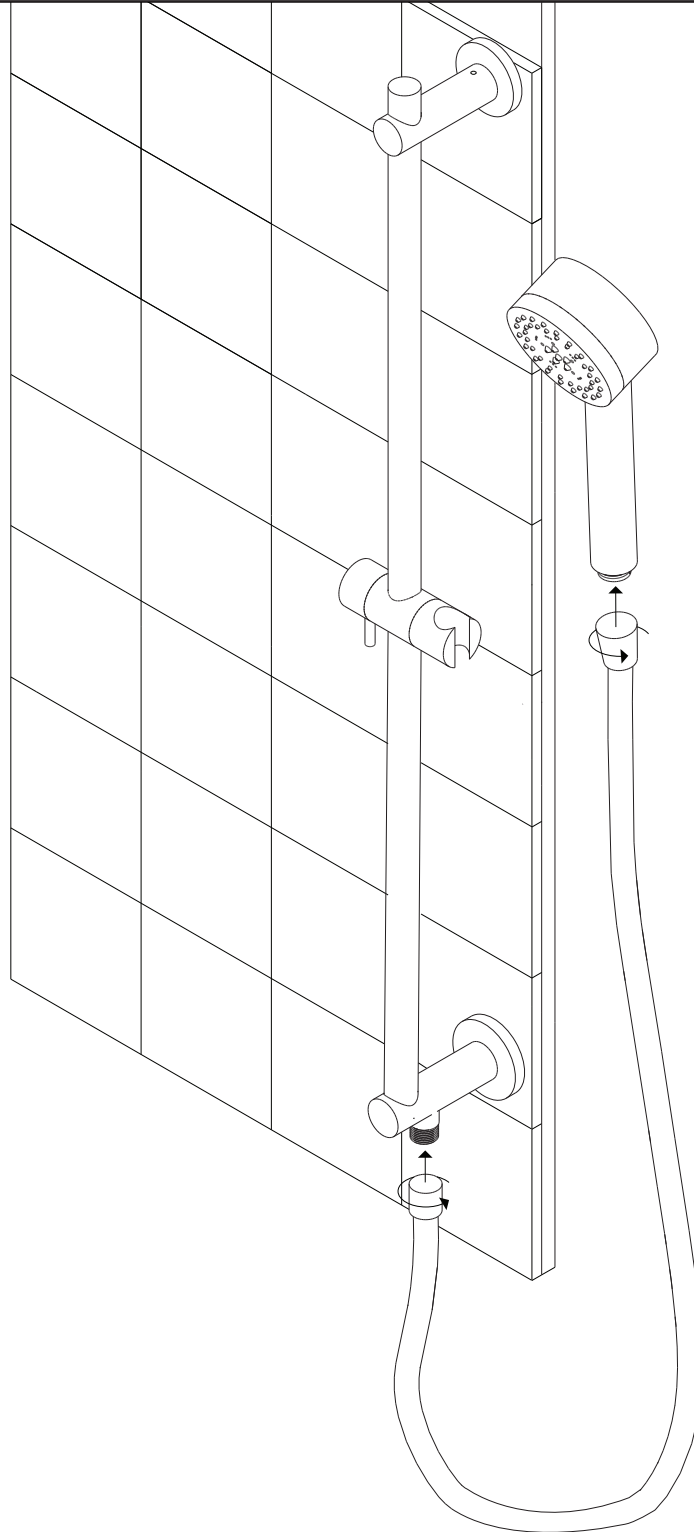
F907-28

five function flexible hose
shower kit with slide bar and
integrated water outlet

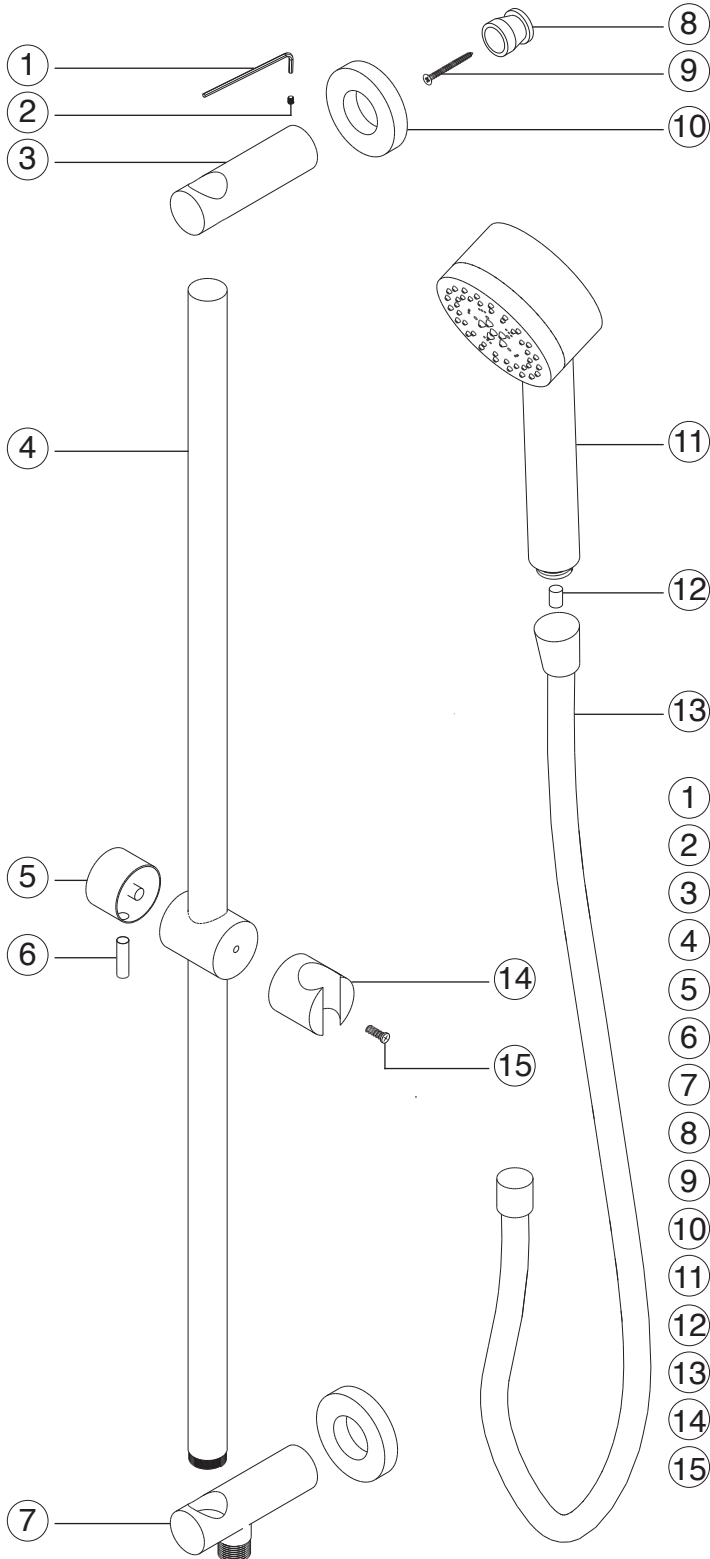
STEP 9



STEP 10



five function flexible hose
shower kit with slide bar and
integrated water outlet



- ① ALLEN WRENCH F907-28 XP1
- ② SET CREW F907-28 XP2
- ③ SLIDE BAR LEG F907-28 XP3
- ④ SLIDE BAR F907-28 XP4
- ⑤ SLIDE BAR HANDLE F907-28 XP5
- ⑥ SLIDE BAR HANDLE LEVER F907-28 XP6
- ⑦ SLIDE BAR INLET/OUTLET F907-28 XP7
- ⑧ WALL BRACKET F907-28 XP8
- ⑨ WALL BRACKET SCREW F907-28 XP9
- ⑩ ESCUTCHEON PLATE(2) F907-28 XP10
- ⑪ HAND SHOWER F907-28 XP11
- ⑫ HAND SHOWER CHECK VALVE F907-28 XP12
- ⑬ HOSE F907-28 XP13
- ⑭ HAND SHOWER HOLDER F907-28 XP14
- ⑮ HAND SHOWER HOLDER SCREW F907-28 XP15

artos®

F907-28

CARE & MAINTENANCE

five function flexible hose
shower kit with slide bar and
integrated water outlet

For best results, keep the following in mind to retain the high quality finish of your artos® shower kit:

- Use a soft, dampened sponge or cloth. On no account should you use an abrasive material such as a brush, scouring pad or steel wool to clean surfaces.
- Test your cleaning agent solution on an inconspicuous area before applying to the entire product.
- Wipe surfaces clean and rinse completely with water immediately after applying cleaning agent.
- An ideal cleaning technique is to rinse faucet thoroughly and blot dry any water from the surface after each use.

LIMITED LIFETIME WARRANTY

Artos® Limited Lifetime Warranty

Artos® faucets have been manufactured under the highest quality and manufacturing standards. Artos® faucets are guaranteed for life against leaks and manufacturing defects for as long as the original consumer purchaser owns it. This warranty applies to installations in the US, Canada and Mexico (North America). Commercial, Industrial or business uses are warranted for a period of one year from the original date of purchase.

This warranty is non-transferable and applies exclusively to the original owner or end-user. If a defect is found during normal use, Artos® will, at its election, repair, replace or make an appropriate adjustment. Damage caused by accident, misuse, abuse, improper installation or alteration will void the warranty. This warranty does not cover replacement parts where damage is caused by normal wear and tear. Labor charges, installation or other incidental or consequential costs will not be covered.

Replacement parts that qualify for warranty repair can be obtained by contacting Artos® at 1-877-9ARTOS9 or by e-mail at info@artos.us.com. Proof of purchase (original sales receipt) from the original consumer purchaser must accompany all warranty claims. When submitting your claim in writing, please provide your name, address and telephone number.

Please register this product online at WWW.ARTOS.US.COM

Item No : **F 907 -28**
Serial No :