

# artos

F906A-6TK

INSTALLATION GUIDE

volume control trim kit only  
squ+letterbox

BRUSHED NICKEL(BN)



CHROME(CH)



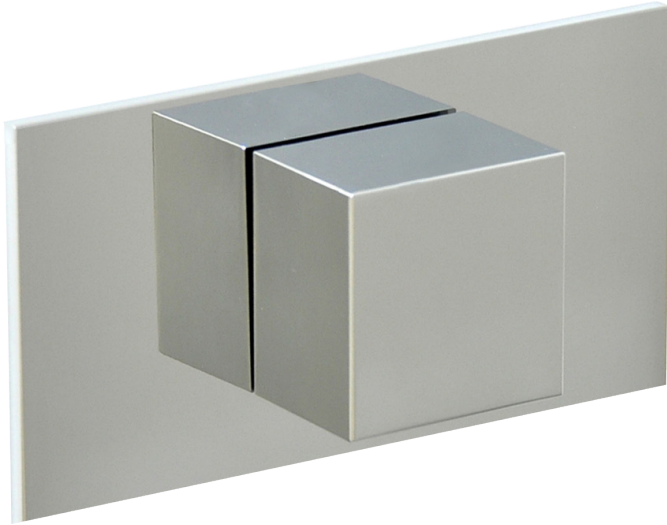
# artos

F906A-6TK

volume control trim kit only  
squ+letterbox

## OPERATING SPECIFICATIONS

for associated valve | F906A-V0 or F906A34-V0



### OPERATING PRESSURE

Minimum: 10 psi  
Maximum: 125 psi

### FLOW CAPACITY

(F906A-V0) 5.6USGPM@60 psi  
or  
(F906A34-V0) 7.1USGPM@60 psi

### INLET/OUTLET

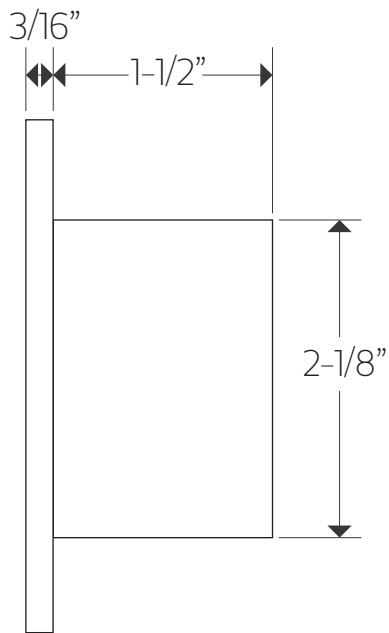
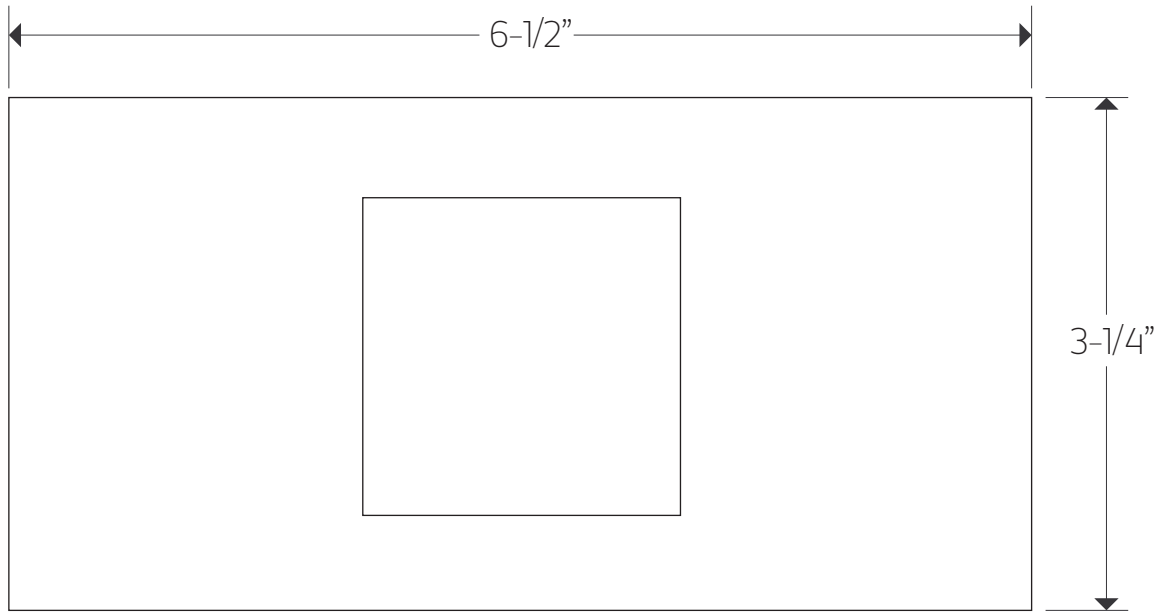
(F906A-V0) 1/2" Female NPT  
or  
(F906A34-V0) 3/4" Female NPT

# artos

F906A-6TK

**PRODUCT DIMENSIONS**

volume control trim kit only  
squ+letterbox

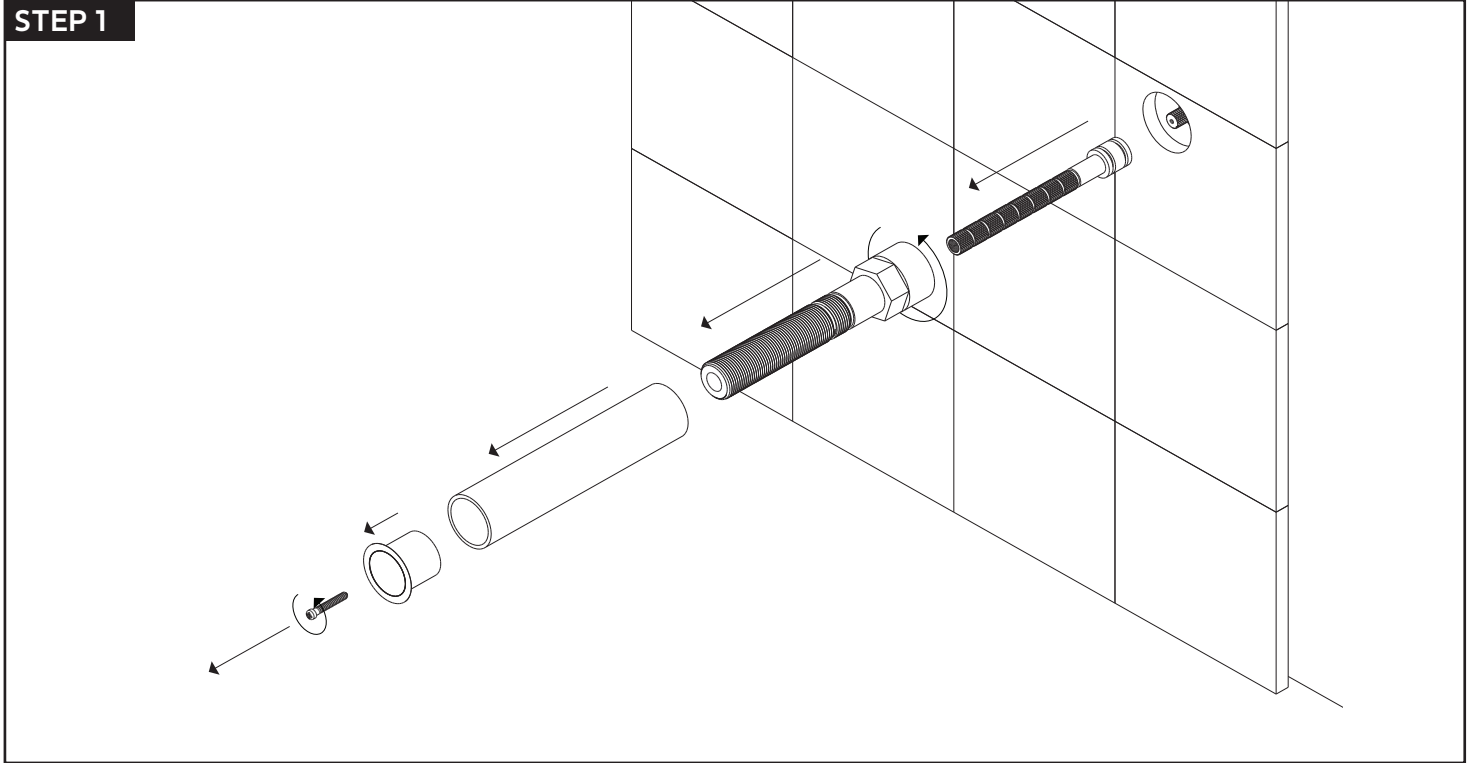


# artos

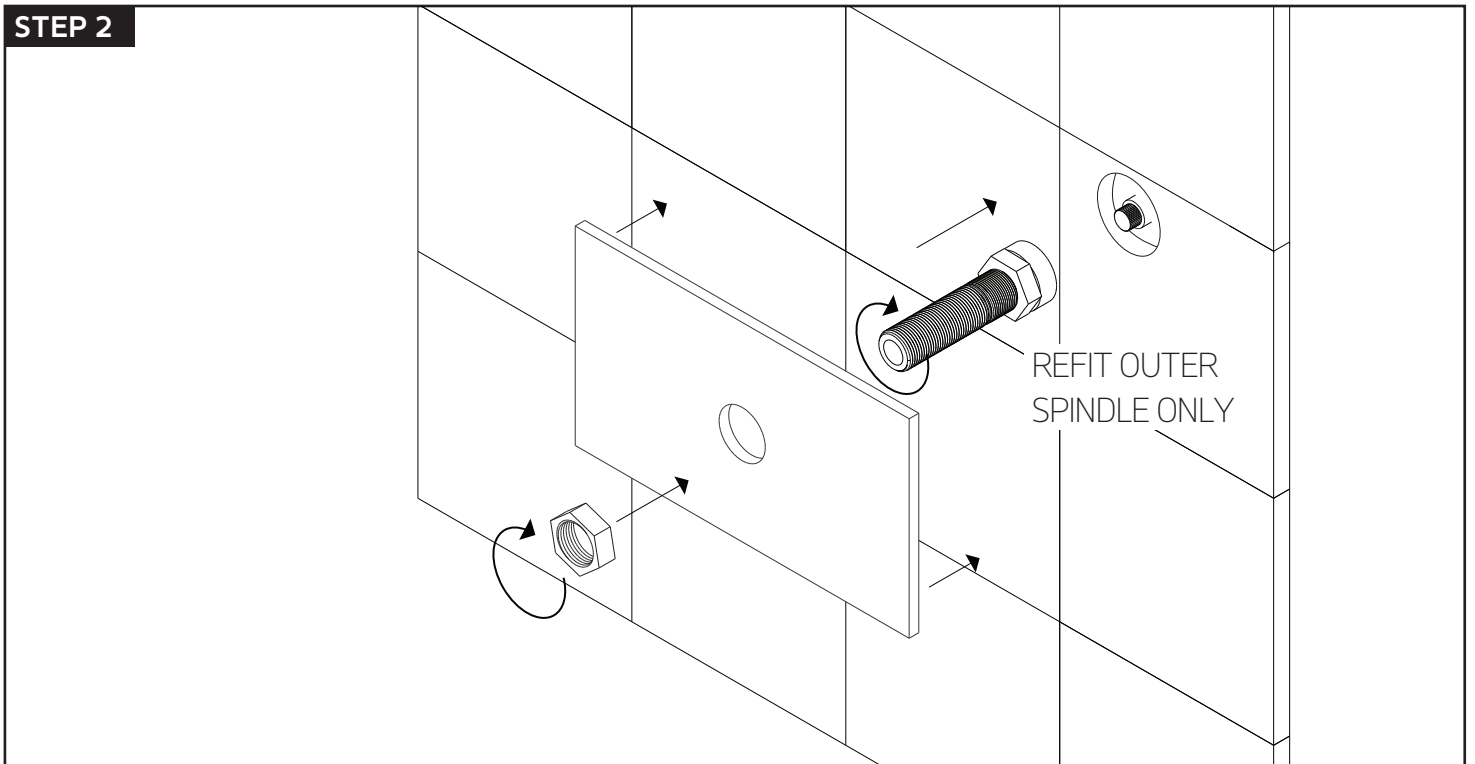
## F906A-6TK

volume control trim kit only  
squ+letterbox

### STEP 1

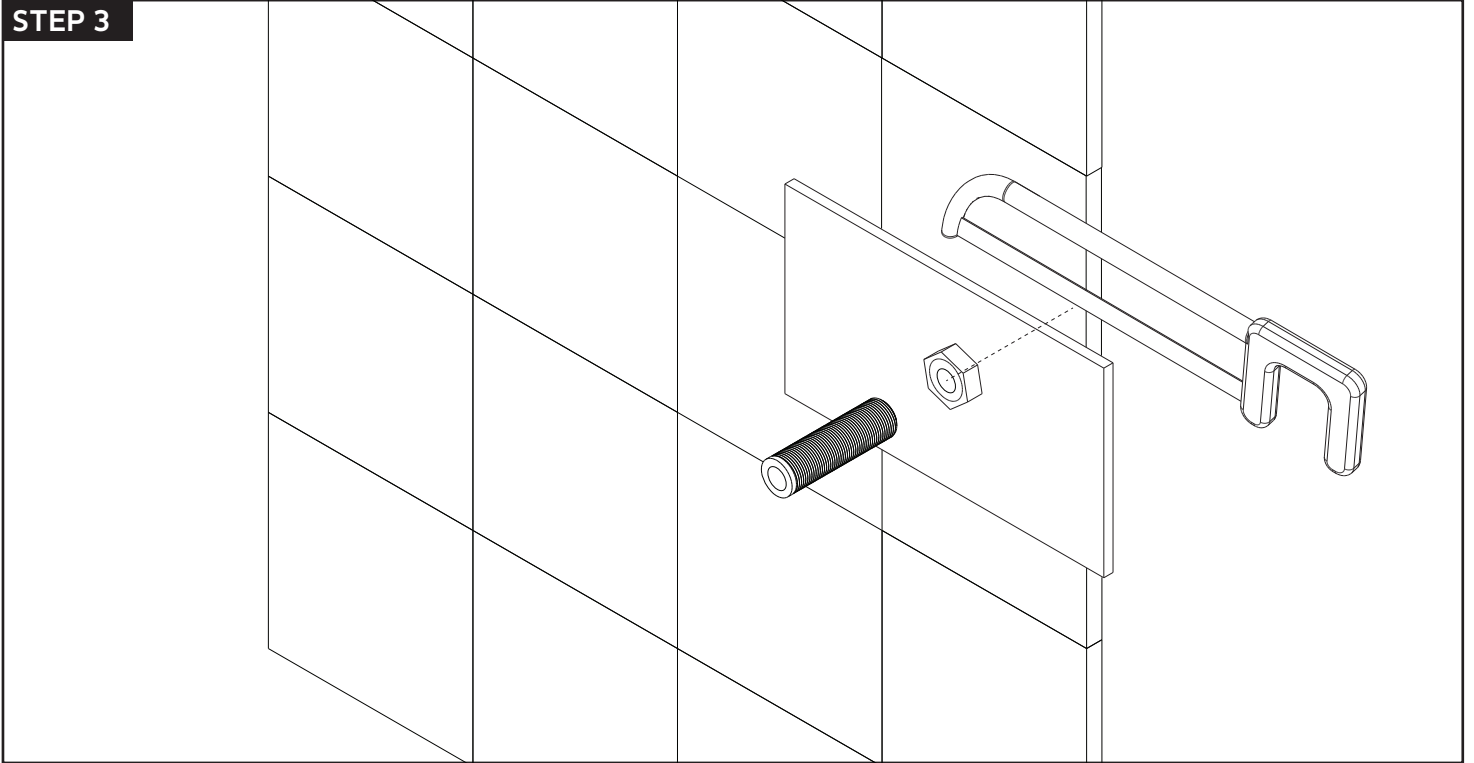


### STEP 2

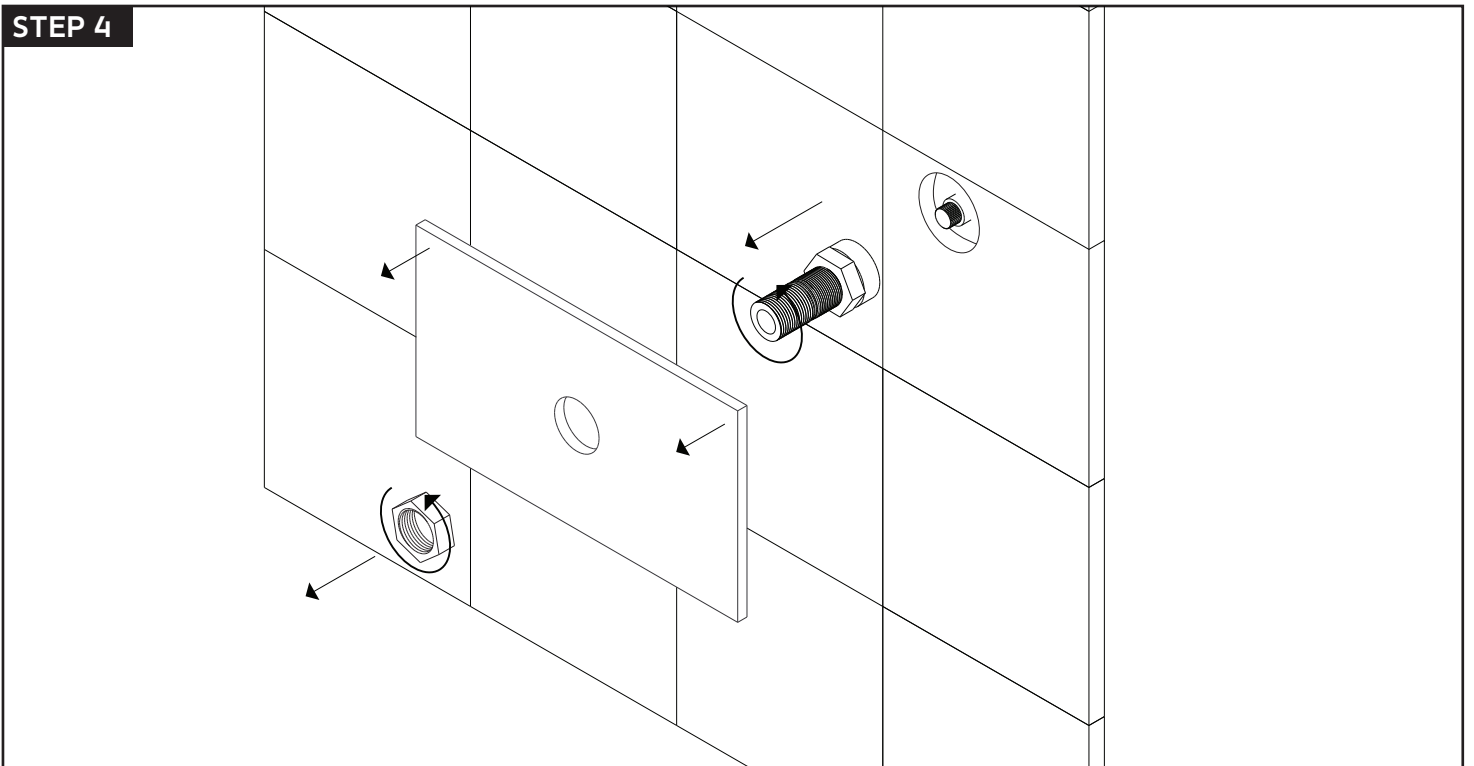


# INSTALLATION STEPS

## STEP 3



## STEP 4

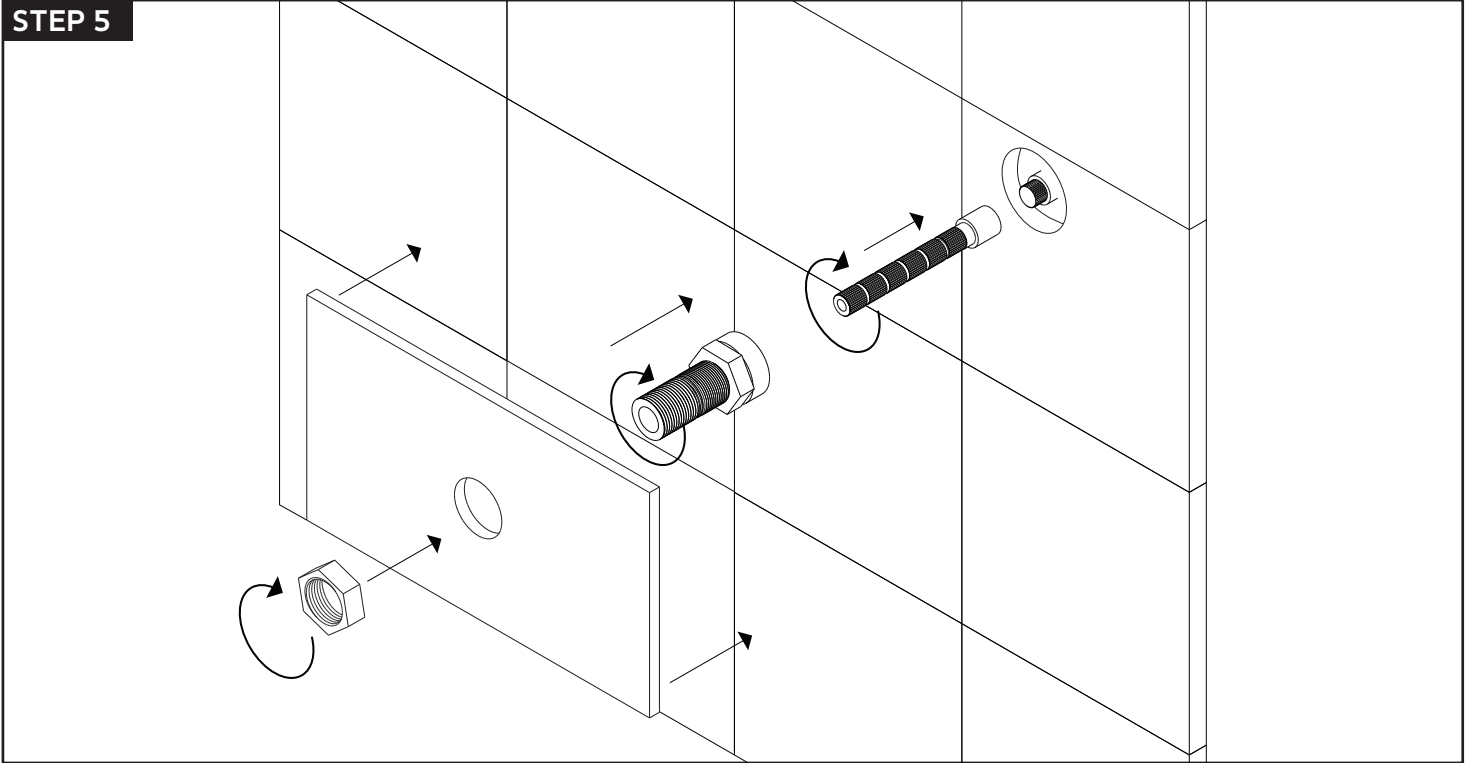


# artos

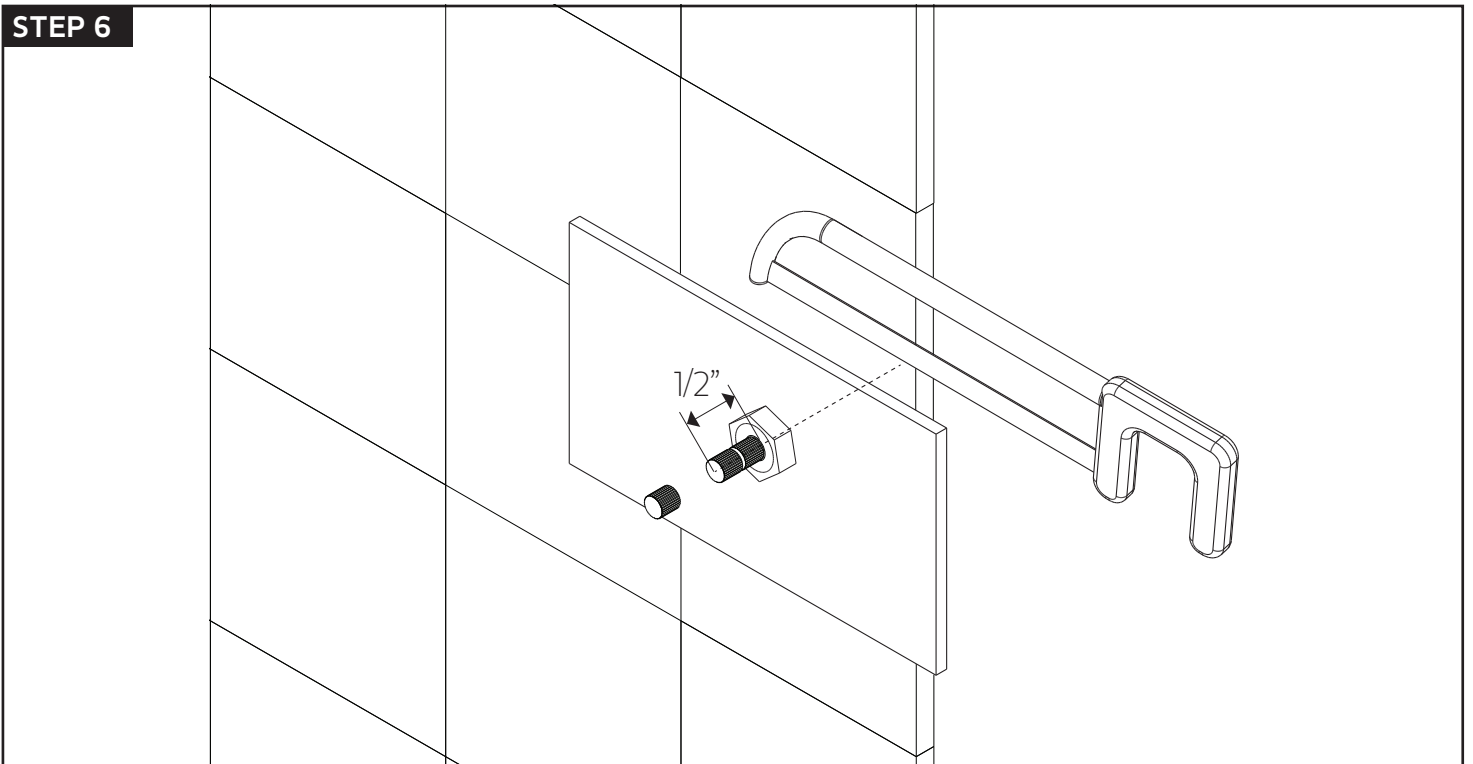
F906A-6TK

volume control trim kit only  
squ+letterbox

## STEP 5

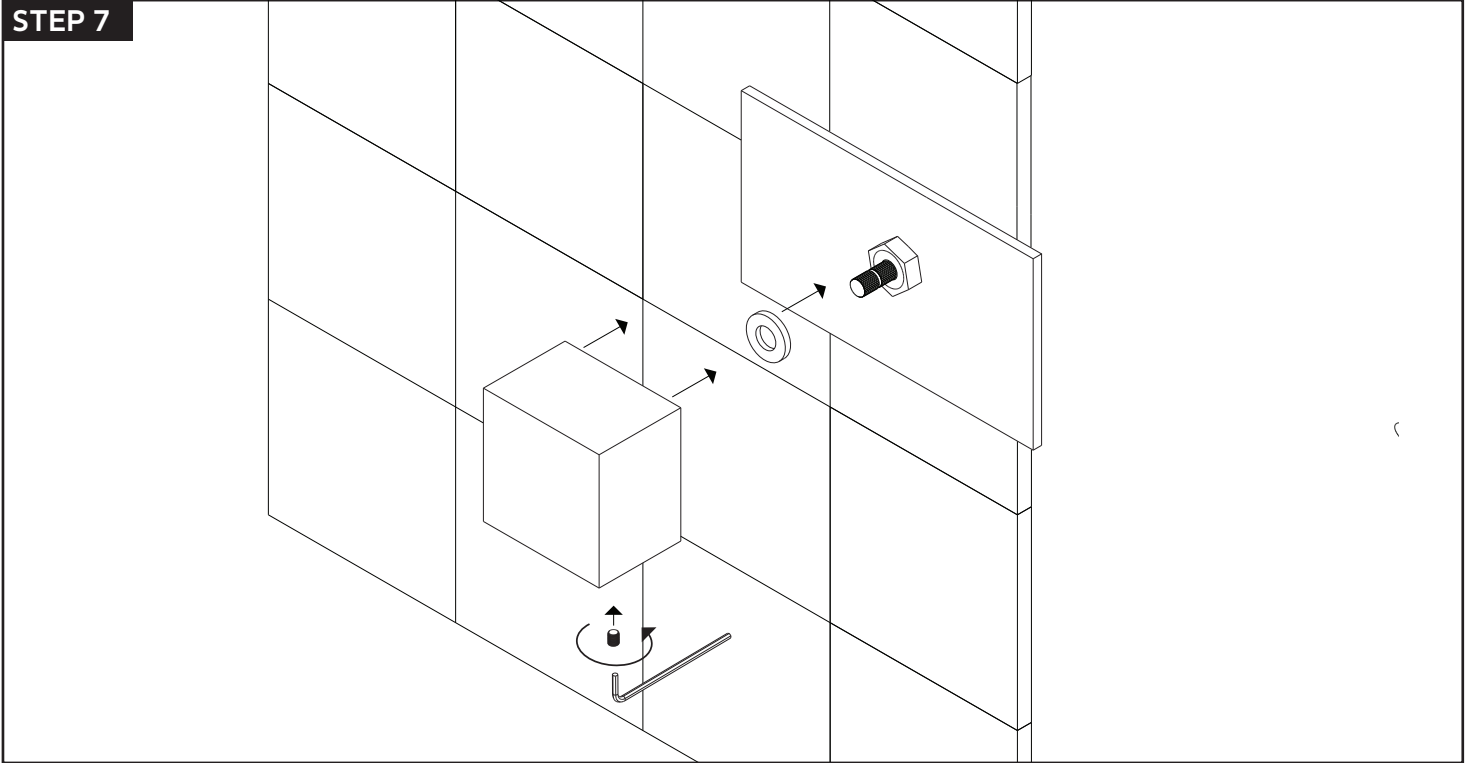


## STEP 6



# INSTALLATION STEPS

## STEP 7

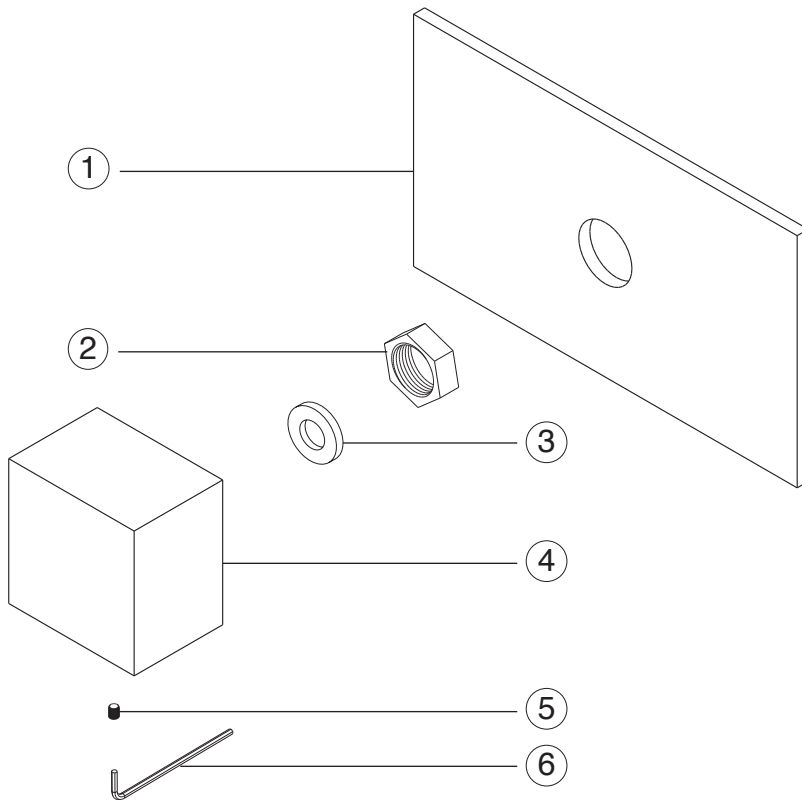
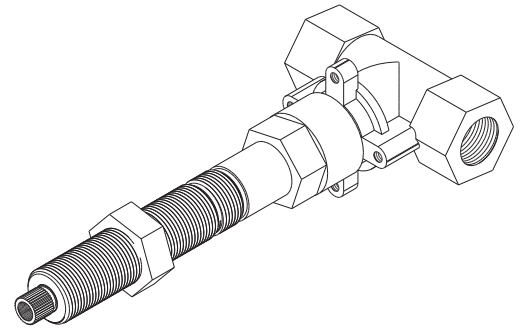


# artos

F906A-6TK

## PARTS BREAKDOWN

volume control trim kit only  
squ+letterbox



- ① **ESCUTCHEON** F906A-6TK XP1
- ② **LOCKING NUT** F906A-6TK XP2
- ③ **NYLON WASHER** F906A-6TK XP3
- ④ **HANDLE** F906A-6TK XP4
- ⑤ **ALLEN WRENCH** F906A-6TK XP5
- ⑥ **SET SCREW** F906A-6TK XP6



# artos

F906A-6TK

volume control trim kit only  
squ+letterbox

## CARE & MAINTENANCE

For best results, keep the following in mind to retain the high quality finish of your artos® faucets:

- Use a soft, dampened sponge or cloth. On no account should you use an abrasive material such as a brush, scouring pad or steel wool to clean surfaces.
- Test your cleaning agent solution on an inconspicuous area before applying to the entire faucet.
- Wipe surfaces clean and rinse completely with water immediately after applying cleaning agent.
- An ideal cleaning technique is to rinse faucet thoroughly and blot dry any water from the surface after each use.

## LIMITED LIFETIME WARRANTY

### Artos® Limited Lifetime Warranty

Artos® faucets have been manufactured under the highest quality and manufacturing standards. Artos® faucets are guaranteed for life against leaks and manufacturing defects for as long as the original consumer purchaser owns it. This warranty applies to installations in the US, Canada and Mexico (North America). Commercial, Industrial or business uses are warranted for a period of one year from the original date of purchase.

This warranty is non-transferable and applies exclusively to the original owner or end-user. If a defect is found during normal use, Artos® will, at its election, repair, replace or make an appropriate adjustment. Damage caused by accident, misuse, abuse, improper installation or alteration will void the warranty. This warranty does not cover replacement parts where damage is caused by normal wear and tear. Labor charges, installation or other incidental or consequential costs will not be covered.

Replacement parts that qualify for warranty repair can be obtained by contacting Artos® at 1-877-9ARTOS9 or by e-mail at [info@artos.us.com](mailto:info@artos.us.com). Proof of purchase (original sales receipt) from the original consumer purchaser must accompany all warranty claims. When submitting your claim in writing, please provide your name, address and telephone number.

Please register this product online at [WWW.ARTOS.US.COM](http://WWW.ARTOS.US.COM)

Item No: **F 906A-6TK**  
Serial No: