

artos[®]

F802A-2TK

INSTALLATION GUIDE

kascade floor mount tub filler

BRUSHED NICKEL(BN)



CHROME(CH)



artos[®]

F802A-2TK

OPERATING SPECIFICATIONS

kascade floor mount tub filler



FEATURES

Integrated Hand Shower
Integrated Controls

OPERATING PRESSURE

Minimum: 15 psi
Maximum: 75 psi
Above 90psi it may be necessary to install a pressure reducer

OPERATING TEMPERATURE

Maximum: 176°

FLOW CAPACITY

6.25 USGPM

APPROVALS

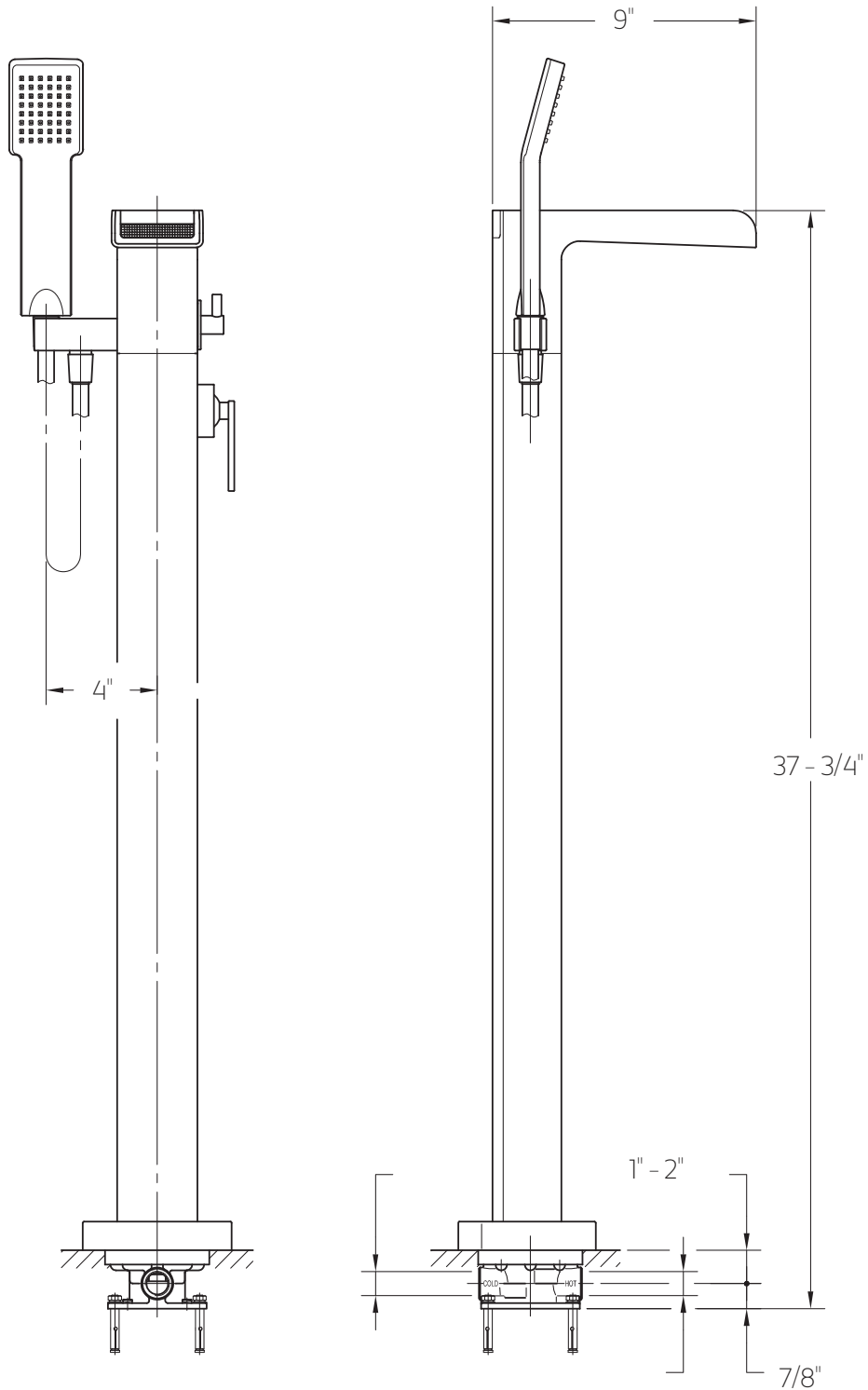


artos[®]

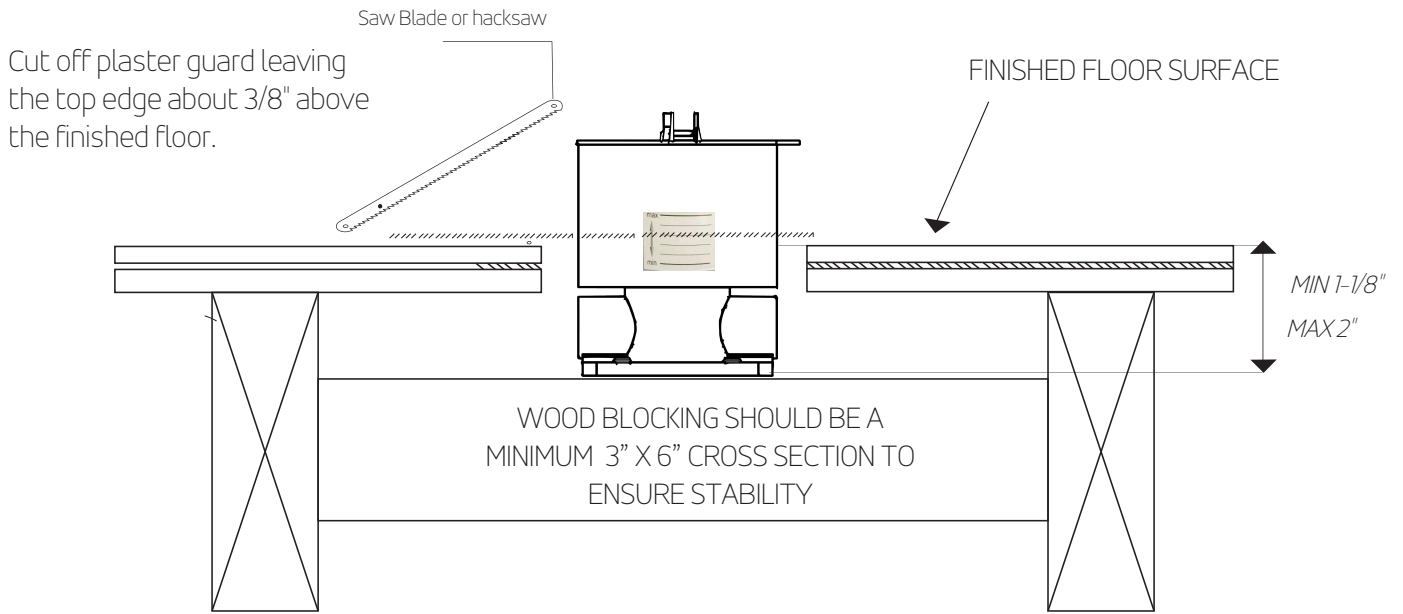
F802A-2TK

SPECIFICATIONS

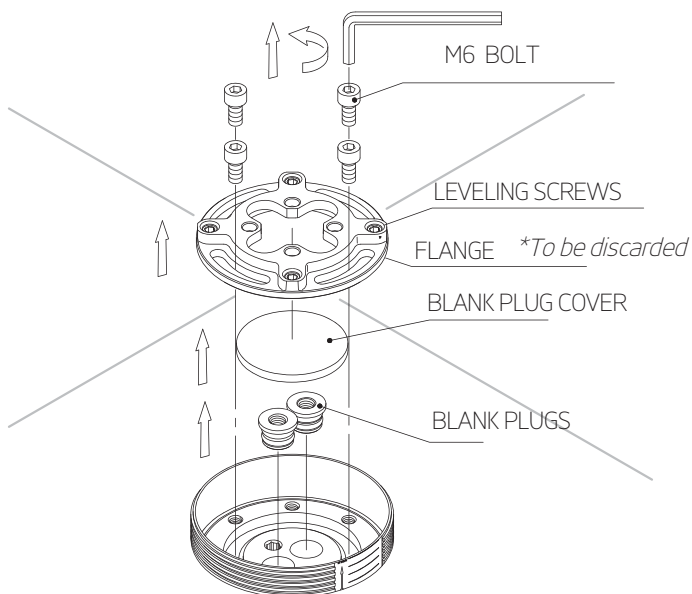
kascade floor mount tub filler



STEP 1

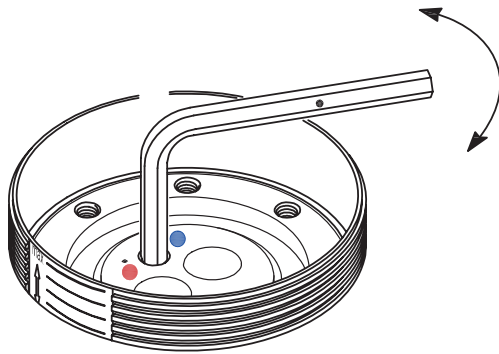


STEP 2

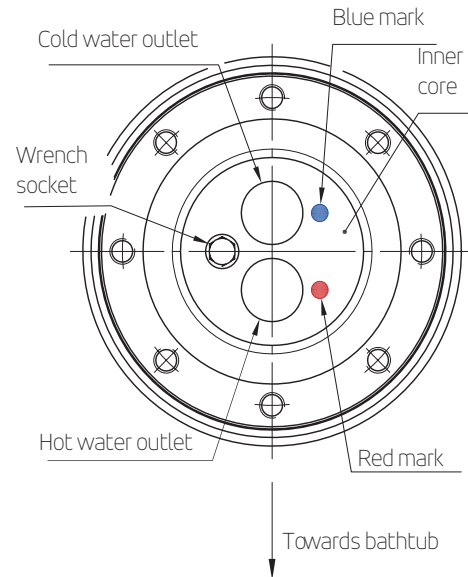


1. Remove M6 X 12 Bolts.
2. Remove Flange & Discard.
**this flange to be discarded as it isn't required to complete installation*
3. Remove Blank Plugs Cover.
4. Pull Out The Blank Plugs.

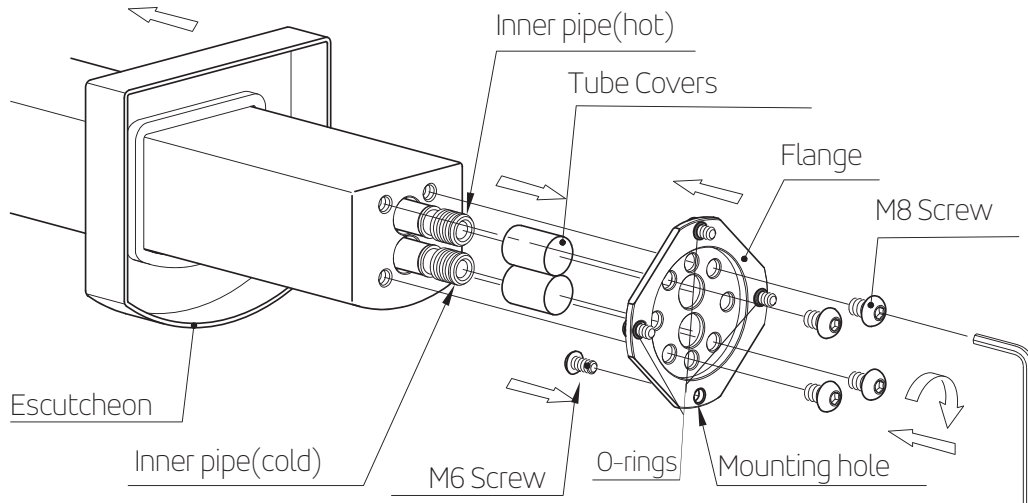
STEP 3



Use S6 Wrench (supplied) to rotate the inner core until the hot side is facing towards the bath tub.

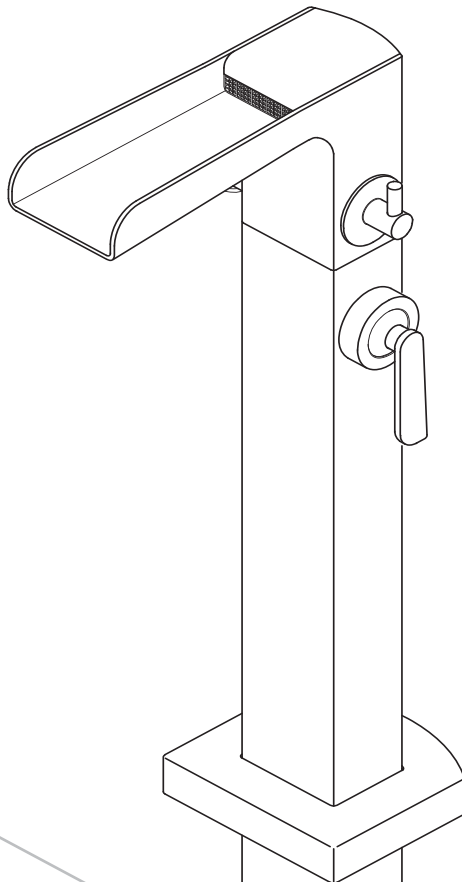


STEP 4



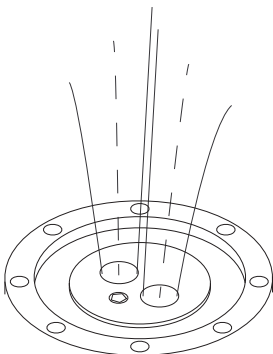
1. Carefully slide the escutcheon over the body.
2. Run the M6 screws through the flange mounting hole, attach O-rings to prevent screws from falling off during installation. **Please ensure the flange is installed the correct way up as shown.*
3. Take off tube covers from inner pipe of faucet body.
4. Fix flange with M8 screws to faucet body firmly.

STEP 5



1. Confirm the inner core is in the correct position (with the hot side facing the bath tub) as directed in Step #3.
2. Connect the Body to the Rough with the M6 Bolts using the S4 Wrench (Supplied).
3. Slide escutcheon into place.

*Please note before installing the body flush to clear debris

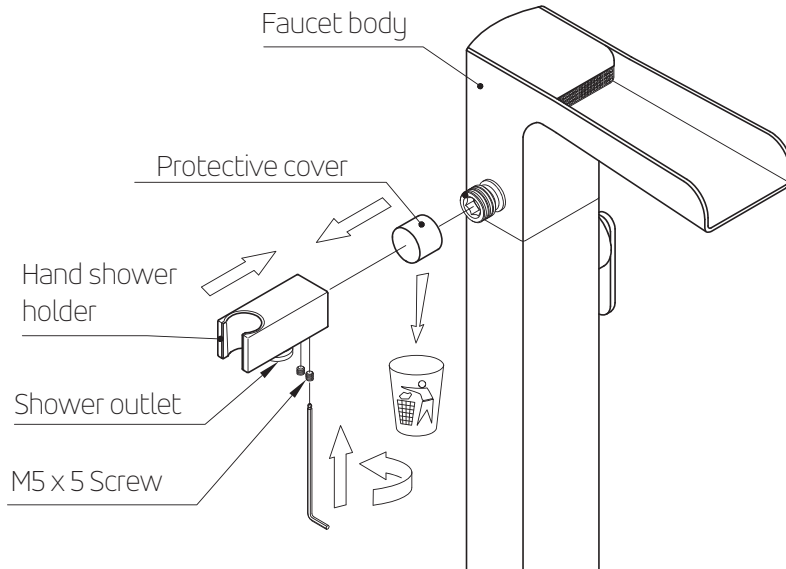


S4 Wrench
(supplied)

M6 Bolt

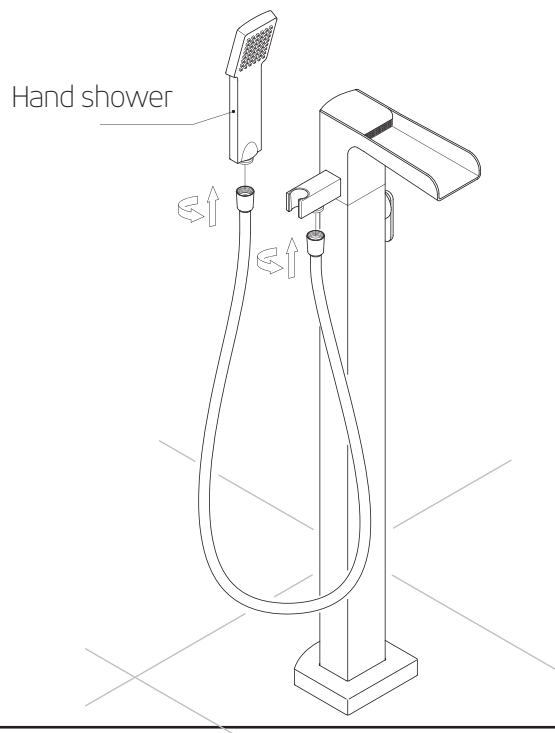
M6 threaded hole

STEP 6



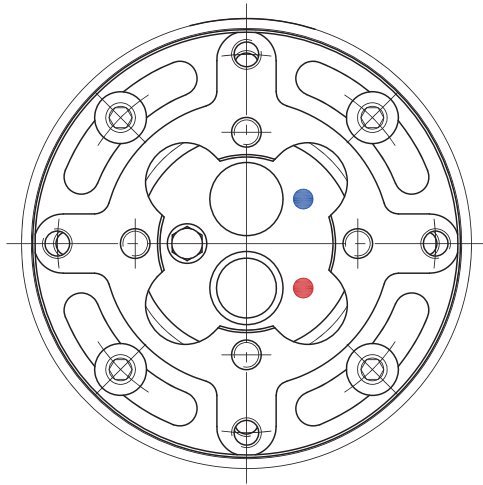
- 1 Take off the protective cover.
- 2 Insert the hand shower holder into the faucet body (the shower outlet is face down)
- 3 Then tighten with M5 x 5 screws to faucet body firmly.

STEP 7

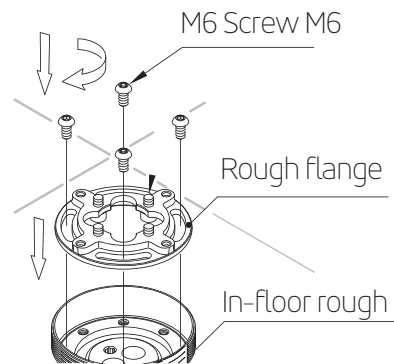


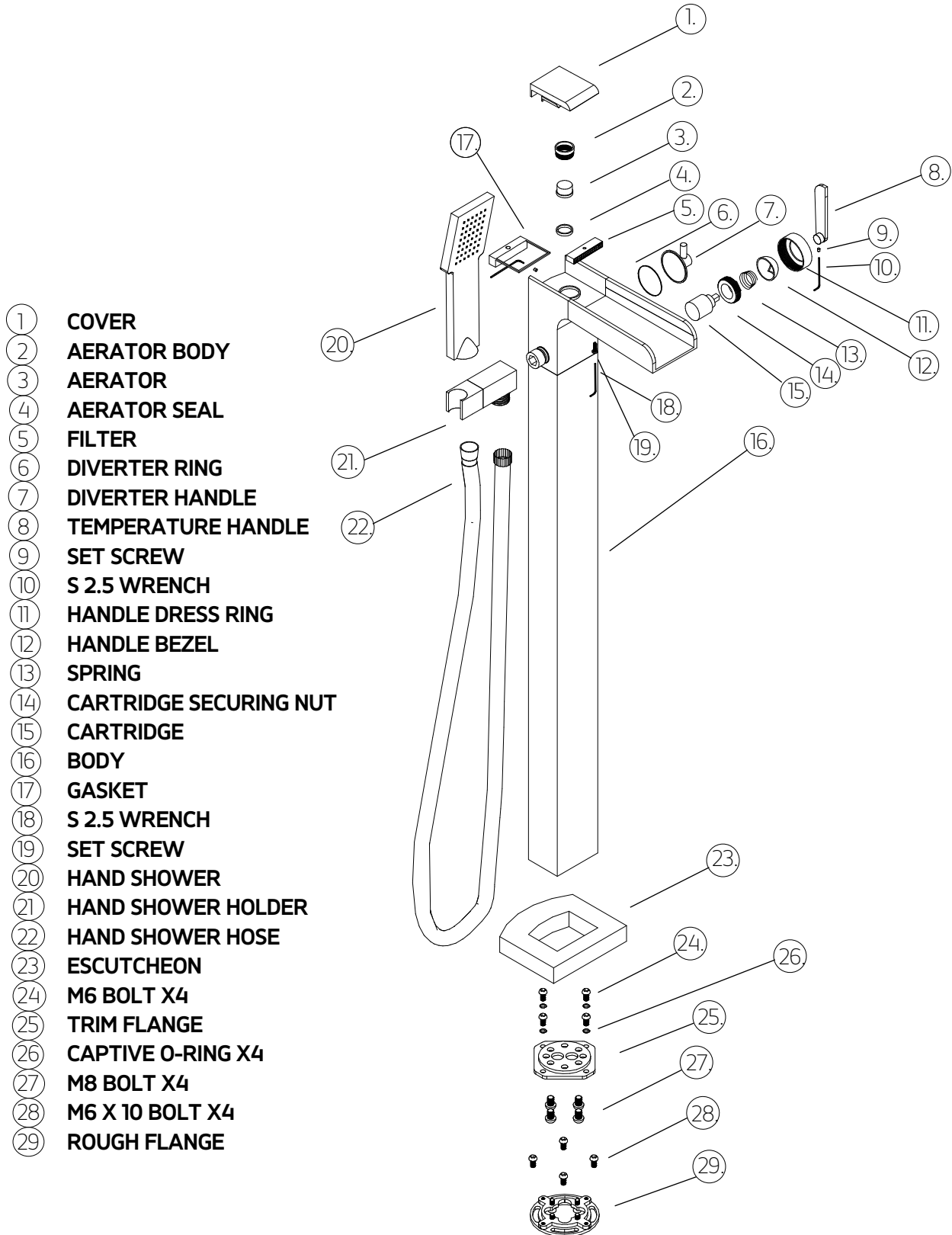
Assemble the Hose and Hand Shower

STEP 8



Install the rough flange onto the in-floor rough with the M6 screws as shown





kascade floor mount tub filler

For best results, keep the following in mind to retain the high quality finish of your artos[®] faucets:

- Use a soft, dampened sponge or cloth. On no account should you use an abrasive material such as a brush, scouring pad or steel wool to clean surfaces.
- Test your cleaning agent solution on an inconspicuous area before applying to the entire product.
- Wipe surfaces clean and rinse completely with water immediately after applying cleaning agent.
- An ideal cleaning technique is to rinse faucet thoroughly and blot dry any water from the surface after each use.

LIMITED LIFETIME WARRANTY

Artos[®] Limited Lifetime Warranty Artos[®] faucets have been manufactured under the highest quality and manufacturing standards. Artos[®] faucets are guaranteed for life against leaks and manufacturing defects for as long as the original consumer purchaser owns it. This warranty applies to installations in the US, Canada and Mexico (North America). Commercial, Industrial or business uses are warranted for a period of one year from the original date of purchase.

This warranty is non-transferable and applies exclusively to the original owner or end-user. If a defect is found during normal use, Artos[®] will, at its election, repair, replace or make an appropriate adjustment. Damage caused by accident, misuse, abuse, improper installation or alteration will void the warranty. This warranty does not cover replacement parts where damage is caused by normal wear and tear. Labor charges, installation or other incidental or consequential costs will not be covered.

Replacement parts that qualify for warranty repair can be obtained by contacting Artos[®] at 1-877-9ARTOS9 or by e-mail at info@artos.us.com. Proof of purchase (original sales receipt) from the original consumer purchaser must accompany all warranty claims. When submitting your claim in writing, please provide your name, address and telephone number.

ITEM NO. **F802A-2TK**