

# artos<sup>®</sup>

## F502-3-1

## INSTALLATION GUIDE

opera floor mount tub filler  
with hand shower

BRUSHED NICKEL(BN)



CHROME(CH)



# artos<sup>®</sup>

F502-3-1

## OPERATING SPECIFICATIONS

opera floor mount tub filler  
with hand shower



### FEATURES

Integrated Hand Shower  
Integrated Controls

### OPERATING PRESSURE

Minimum: 15 psi  
Maximum: 75 psi  
Above 90psi it may be necessary to install a pressure reducer

### OPERATING TEMPERATURE

Maximum: 176°

### FLOW CAPACITY

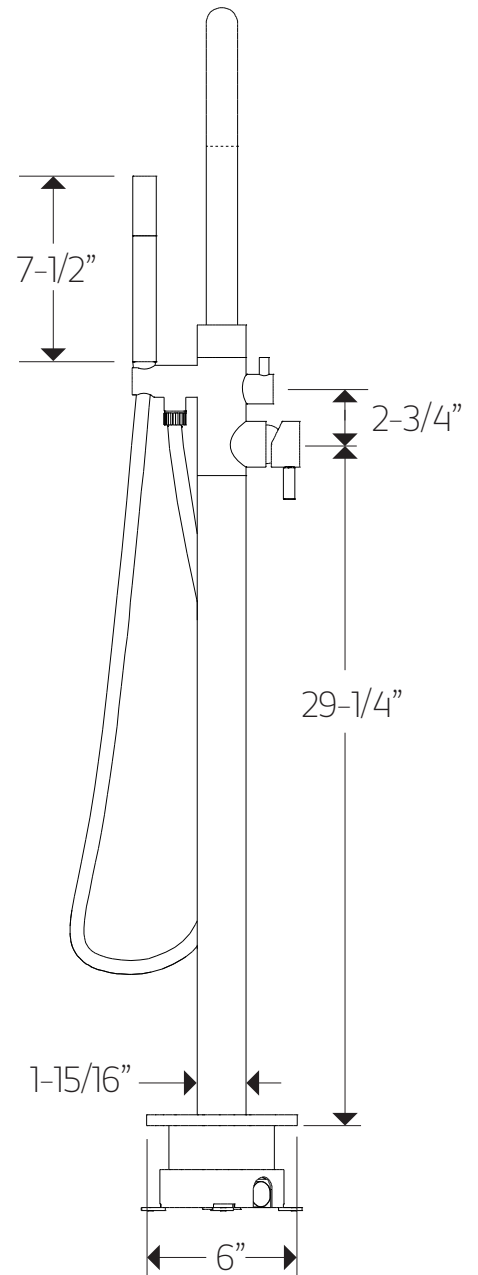
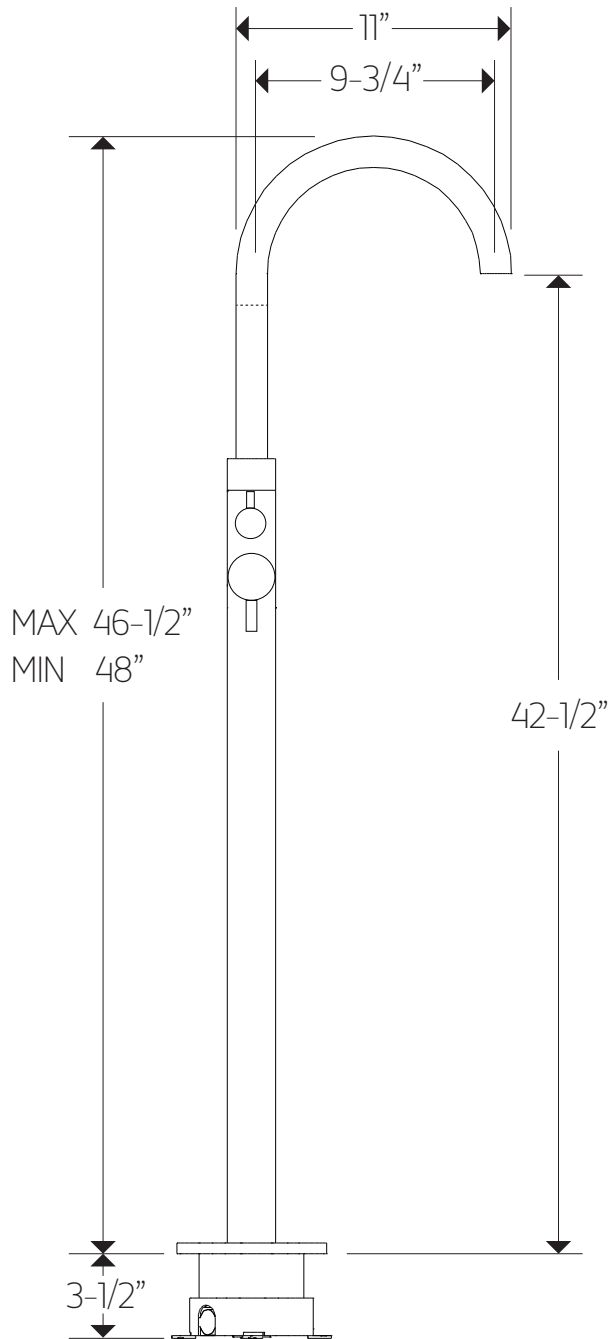
6.0 USGPM

# artos<sup>®</sup>

## F502-3-1

## PRODUCT DIMENSIONS

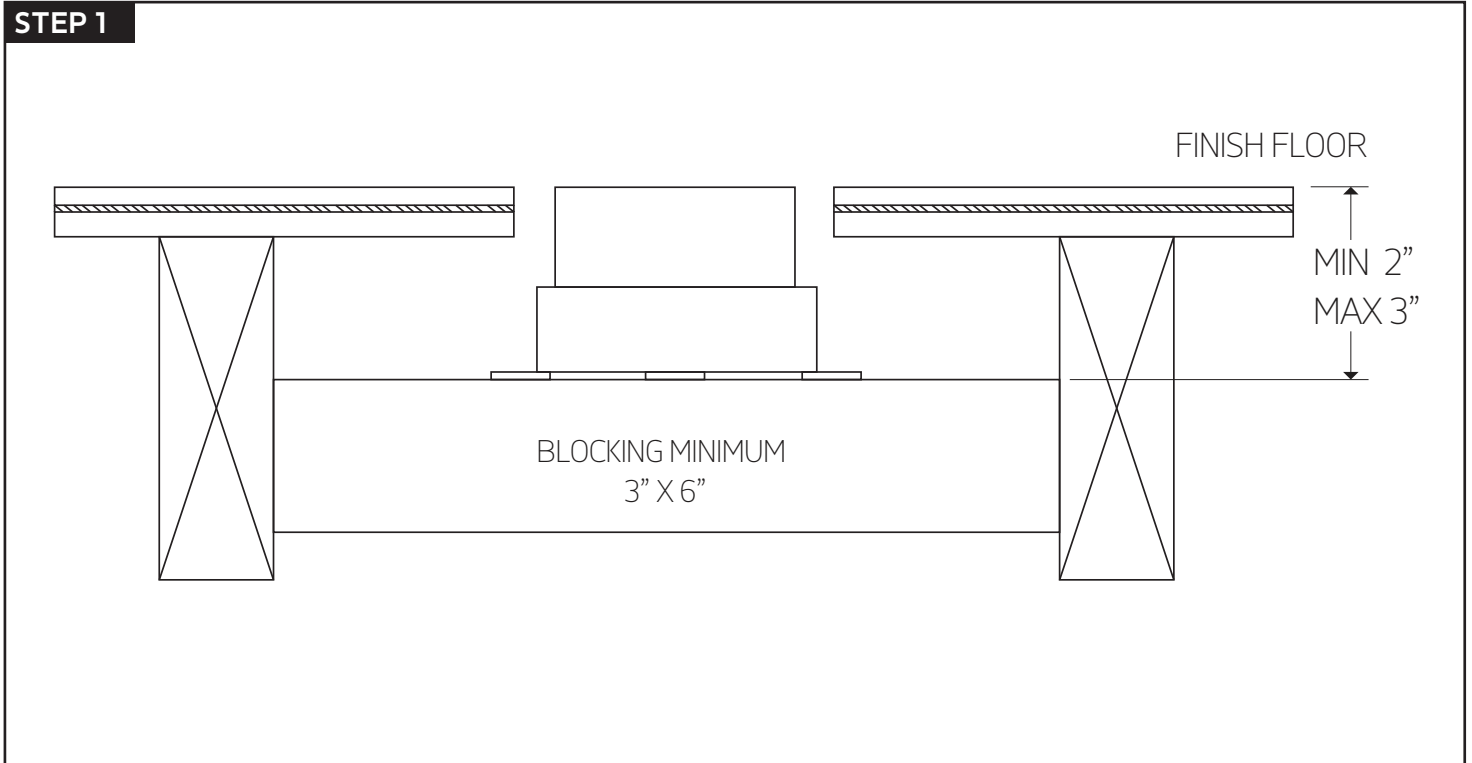
opera floor mount tub filler  
with hand shower



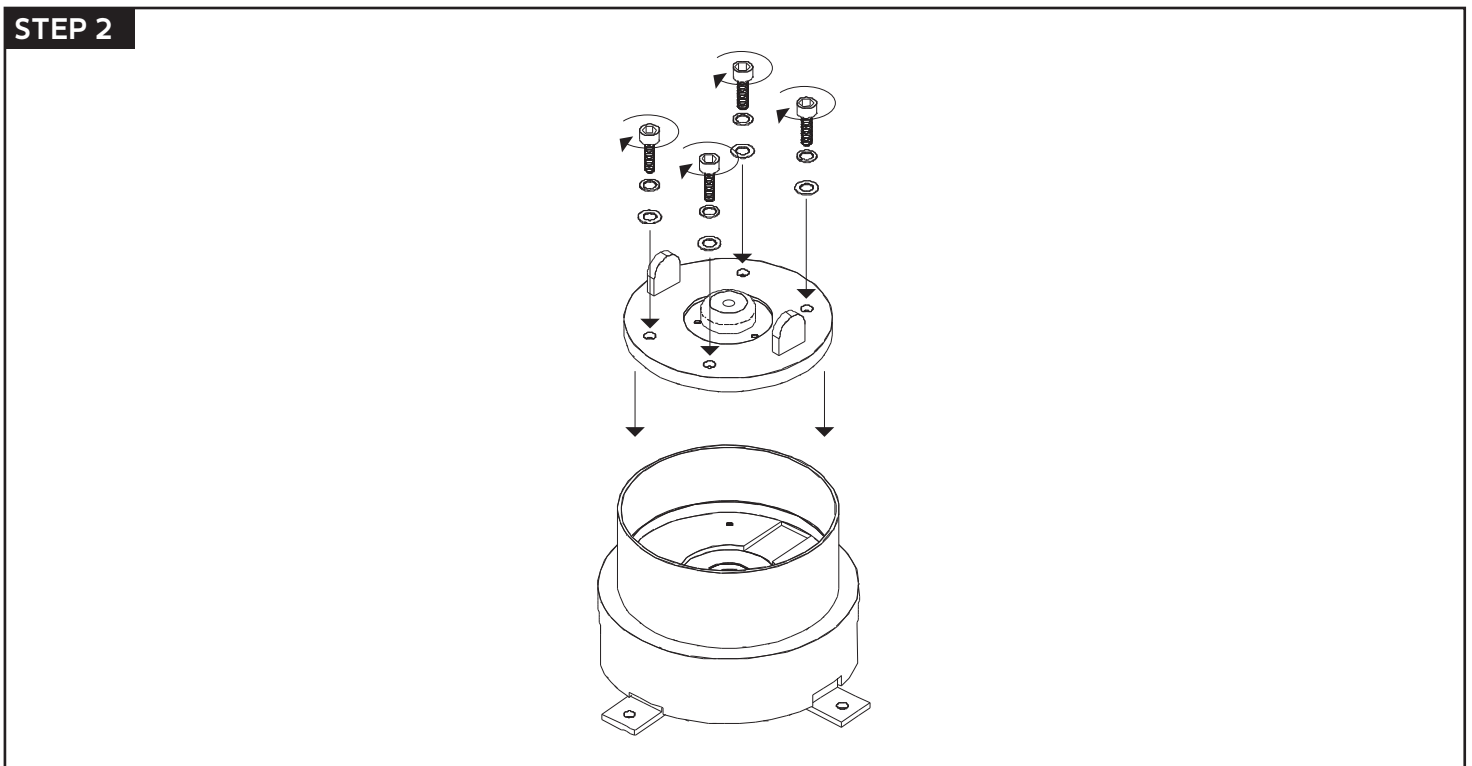
## F502-3-1

opera floor mount tub filler  
with hand shower

### STEP 1



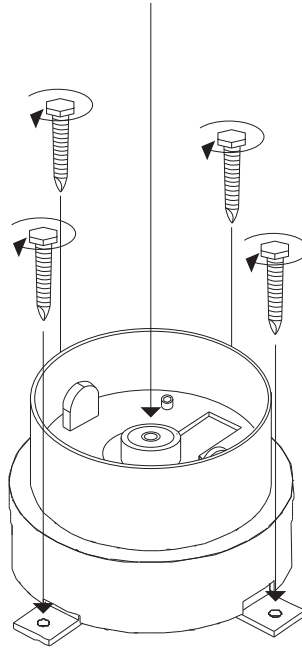
### STEP 2



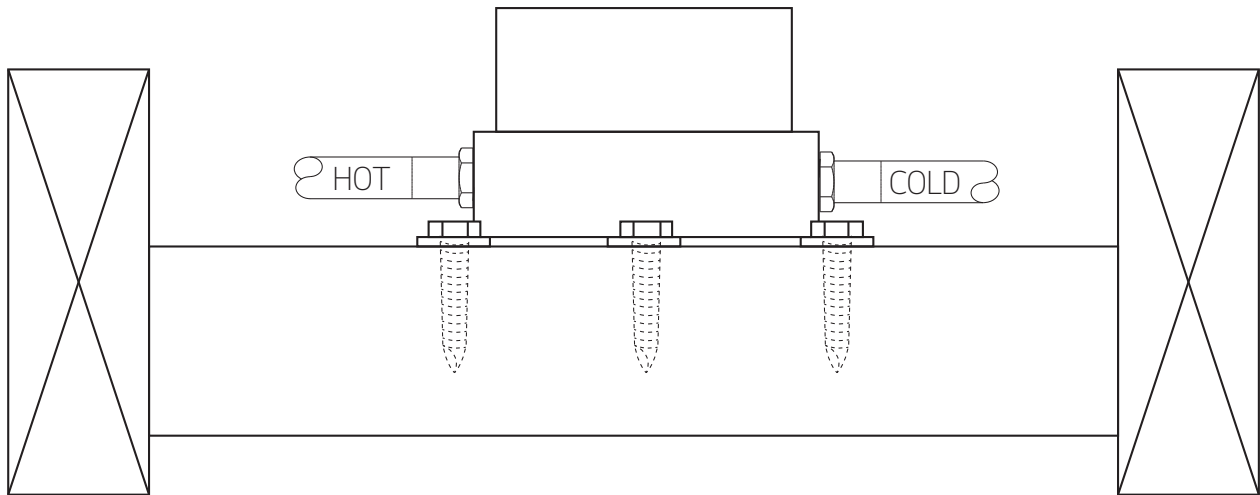
# INSTALLATION STEPS

## STEP 3

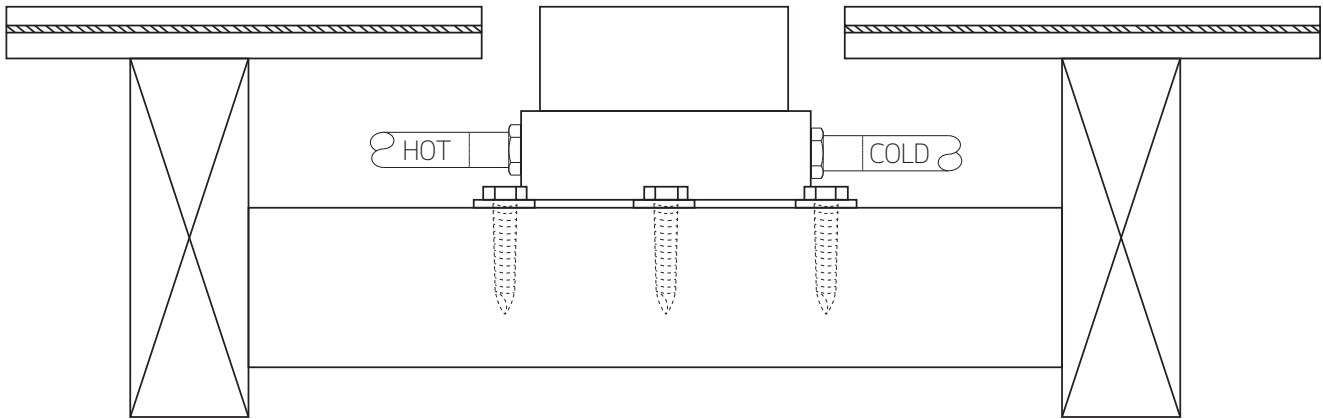
ONCE LEVEL, SECURE ROUGH-IN, USING 4 LAG BOLTS, INTO BLOCKING



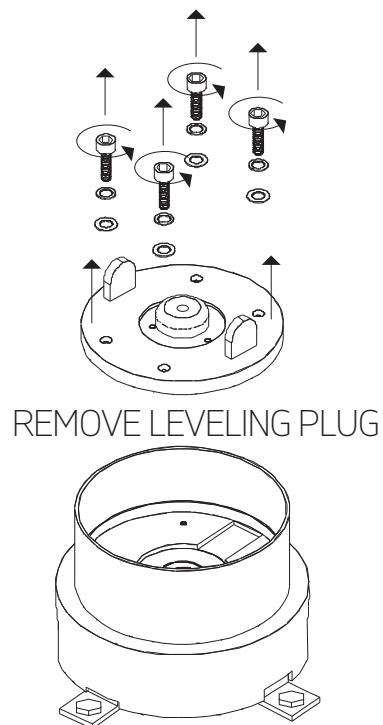
## STEP 4



### STEP 5

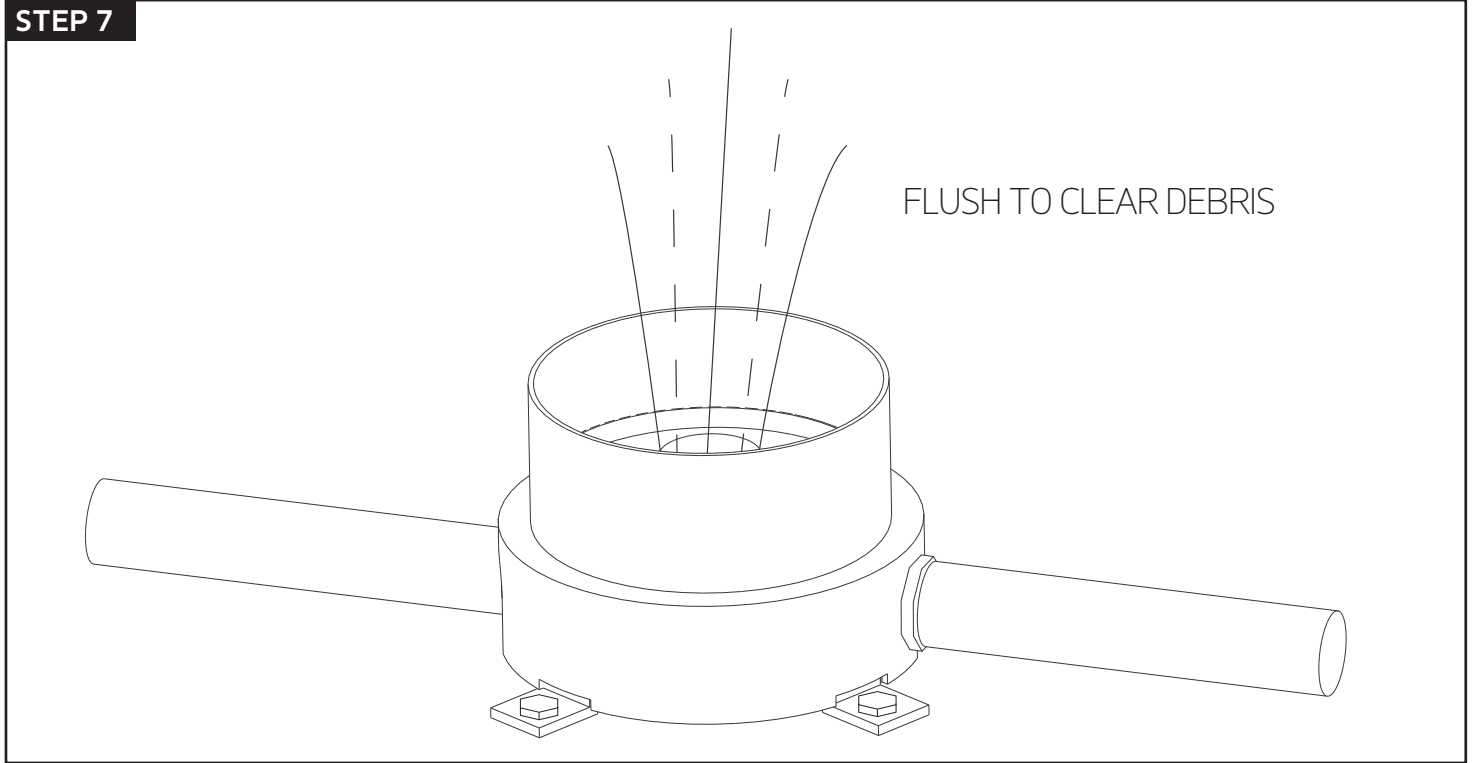


### STEP 6

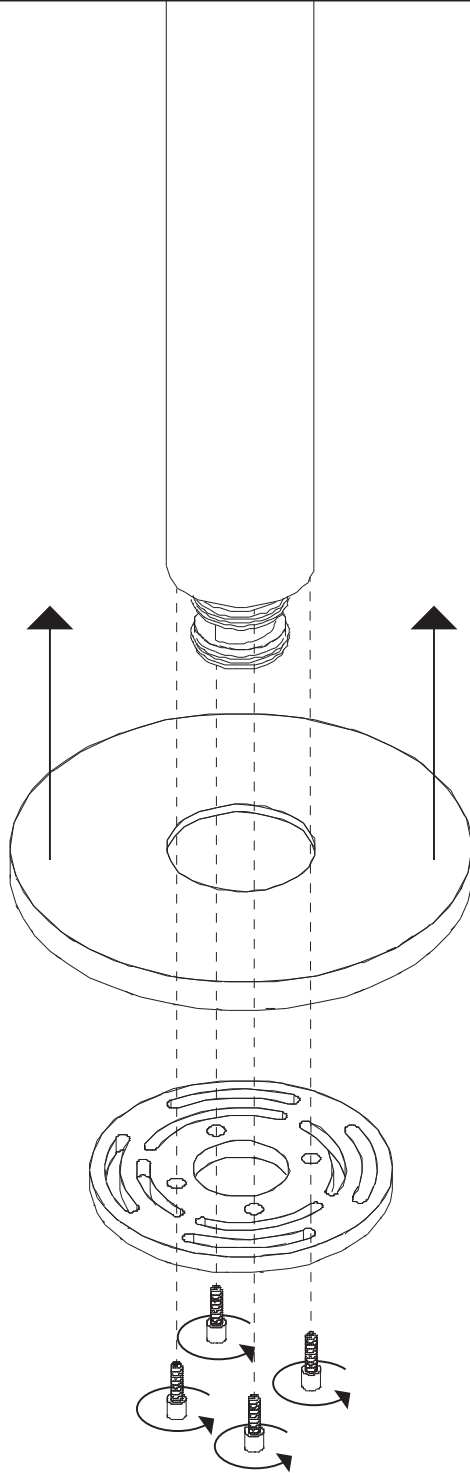


# INSTALLATION STEPS

## STEP 7



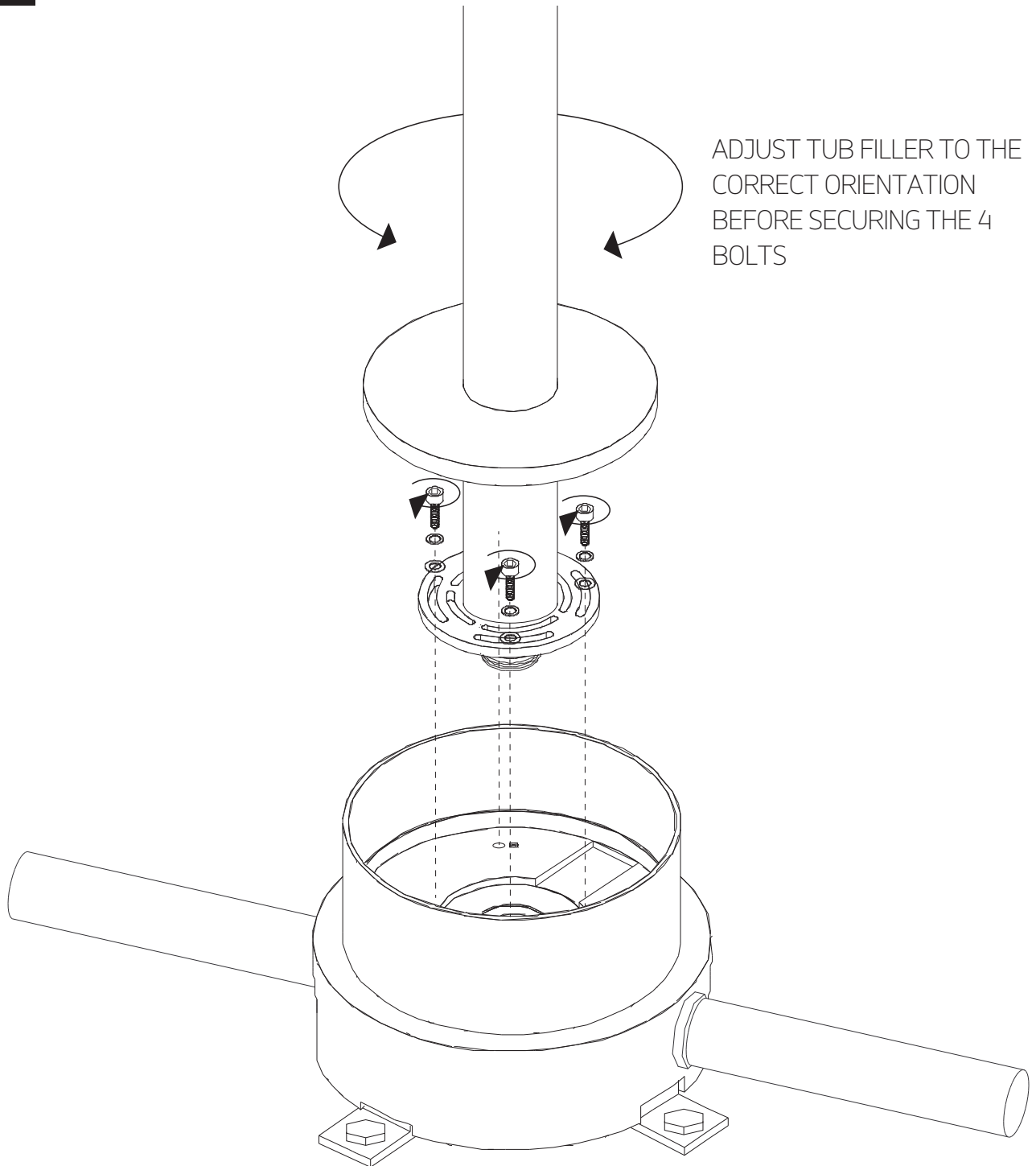
### STEP 8





# INSTALLATION STEPS

## STEP 9

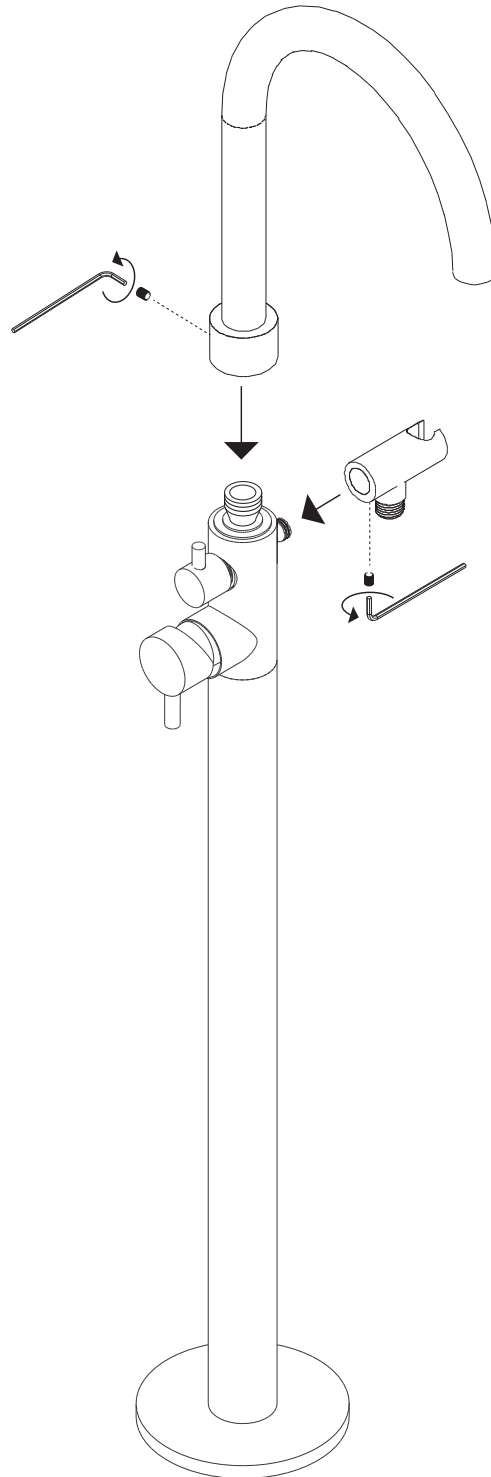


# artos<sup>®</sup>

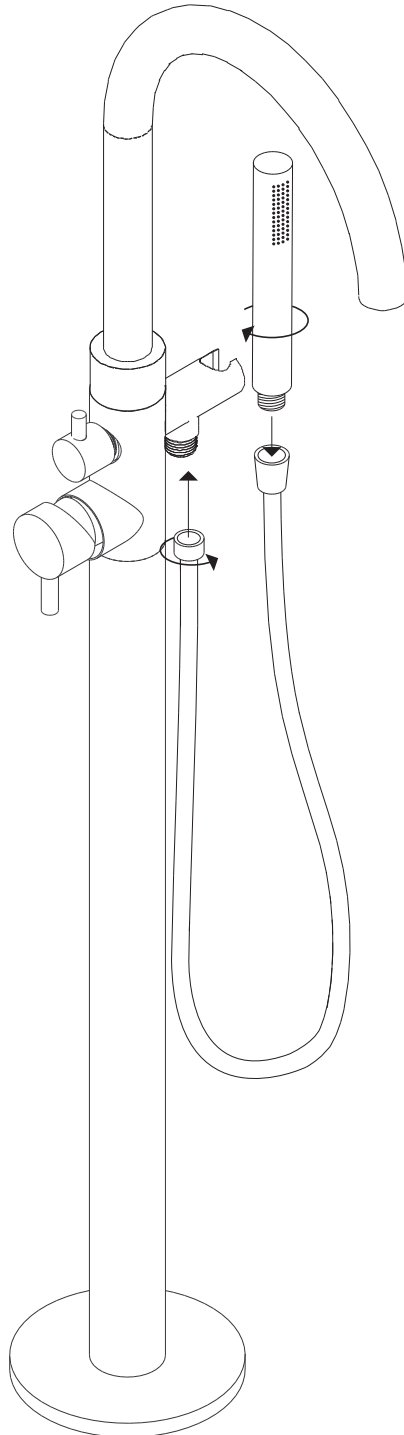
## F502-3-1

opera floor mount tub filler  
with hand shower

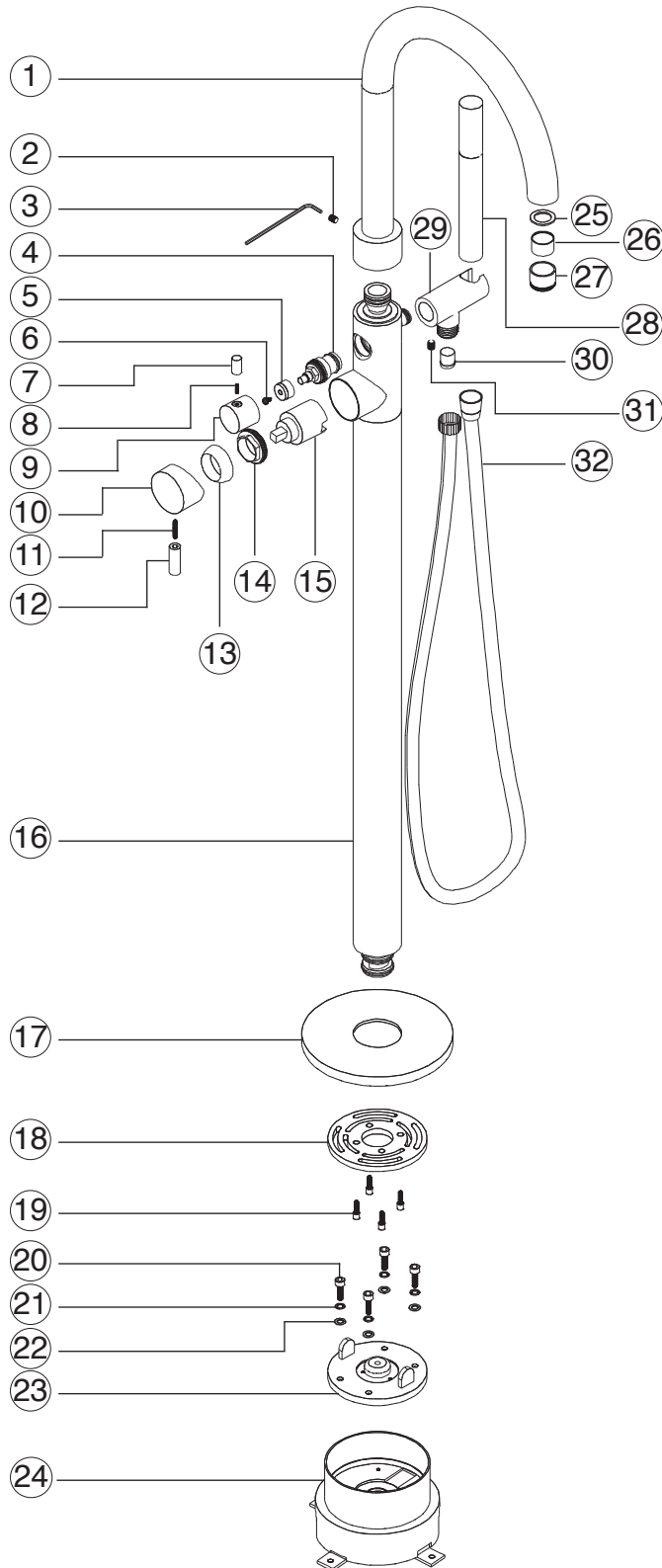
### STEP 10



STEP 11



opera floor mount tub filler  
with hand shower



- ① TUB FILLER SPOUT F502-3-1 XP1
- ② SPOUT SET SCREW F502-3-1 XP2
- ③ ALLEN WRENCH F502-3-1 XP3
- ④ DIVERTER CARTRIDGE F502-3-1 XP4
- ⑤ DIVERTER HANDLE ADAPTER F502-3-1 XP5
- ⑥ DIVERTER HANDLE ADAPTER SCREW F502-3-1 XP6
- ⑦ DIVERTER HANDLE LEVER F502-3-1 XP7
- ⑧ DIVERTER HANDLE LEVER STEM F502-3-1 XP8
- ⑨ DIVERTER HANDLE F502-3-1 XP9
- ⑩ CONTROL HANDLE F502-3-1 XP10
- ⑪ CONTROL HANDLE LEVER STEM F502-3-1 XP11
- ⑫ CONTROL HANDLE LEVER F502-3-1 XP12
- ⑬ CONTROL HANDLE DRESS RING F502-3-1 XP13
- ⑭ CONTROL CARTRIDGE SECURING NUT F502-3-1 XP14
- ⑮ CONTROL CARTRIDGE F502-3-1 XP15
- ⑯ TUB FILLER BODY F502-3-1 XP16
- ⑰ TUB FILLER ESCUTCHEON PLATE F502-3-1 XP17
- ⑱ TUB FILLER SECURING PLATE F502-3-1 XP18
- ⑲ SECURING PLATE TO BODY SCREWS F502-3-1 XP19
- ⑳ SECURING PLATE TO ROUGH-IN SCREWS F502-3-1 XP20
- ㉑ LOCK NUTS F502-3-1 XP21
- ㉒ WASHERS F502-3-1 XP22
- ㉓ TUB FILLER ROUGH-IN PLUG F502-3-1 XP23
- ㉔ TUB FILLER ROUGH-IN F502-3-1 XP24
- ㉕ AERATOR WASHER F502-3-1 XP25
- ㉖ AERATOR F502-3-1 XP26
- ㉗ AERATOR HOUSING F502-3-1 XP27
- ㉘ HAND SHOWER F502-3-1 XP28
- ㉙ SHOWER OUTLET ELBOW AND HOLDER F502-3-1 XP29
- ㉚ BACK FLOW PREVENTER F502-3-1 XP30
- ㉛ SHOWER ELBOW SET SCREW F502-3-1 XP31
- ㉜ TEKFlex SHOWER HOSE F502-3-1 XP32

# artos®

## F502-3-1

## CARE & MAINTENANCE

opera floor mount tub filler  
with hand shower

For best results, keep the following in mind to retain the high quality finish of your artos® faucets:

- Use a soft, dampened sponge or cloth. On no account should you use an abrasive material such as a brush, scouring pad or steel wool to clean surfaces.
- Test your cleaning agent solution on an inconspicuous area before applying to the entire product.
- Wipe surfaces clean and rinse completely with water immediately after applying cleaning agent.
- An ideal cleaning technique is to rinse faucet thoroughly and blot dry any water from the surface after each use.

## LIMITED LIFETIME WARRANTY

### Artos® Limited Lifetime Warranty

Artos® faucets have been manufactured under the highest quality and manufacturing standards. Artos® faucets are guaranteed for life against leaks and manufacturing defects for as long as the original consumer purchaser owns it. This warranty applies to installations in the US, Canada and Mexico (North America). Commercial, Industrial or business uses are warranted for a period of one year from the original date of purchase.

This warranty is non-transferable and applies exclusively to the original owner or end-user. If a defect is found during normal use, Artos® will, at its election, repair, replace or make an appropriate adjustment. Damage caused by accident, misuse, abuse, improper installation or alteration will void the warranty. This warranty does not cover replacement parts where damage is caused by normal wear and tear. Labor charges, installation or other incidental or consequential costs will not be covered.

Replacement parts that qualify for warranty repair can be obtained by contacting Artos® at 1-877-9ARTOS9 or by e-mail at [info@artos.us.com](mailto:info@artos.us.com). Proof of purchase (original sales receipt) from the original consumer purchaser must accompany all warranty claims. When submitting your claim in writing, please provide your name, address and telephone number.

Please register this product online at [WWW.ARTOS.US.COM](http://WWW.ARTOS.US.COM)

Item No : **F 502 - 3 - 1**  
Serial No :