

# artos<sup>®</sup>

F402-9

**INSTALLATION GUIDE**

3-hole wall mount tub filler  
squ

BRUSHED NICKEL(BN)



CHROME(CH)



BLACK(BK)



# artos<sup>®</sup>

## F402-9

3-hole wall mount tub filler  
squ

## OPERATING SPECIFICATIONS

for associated valves | F906A-V0

### OPERATING PRESSURE

Minimum: 15 psi  
Maximum: 125 psi

### FLOW CAPACITY

5.6USGPM@60 psi (each valve)  
TOTAL= 11.2USGPM

### INLET/OUTLET

1/2" Male NPT

### STANDARDS

ASSE 1016.ASME A112.18.1/CSA B123.1 Certified

### CODES

CUPC Approved



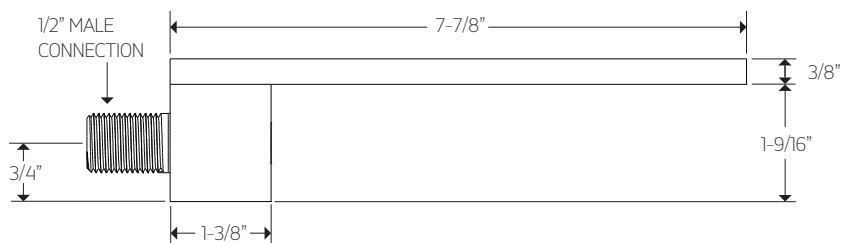
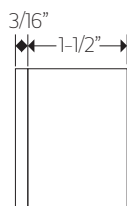
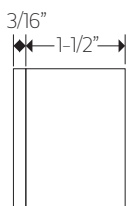
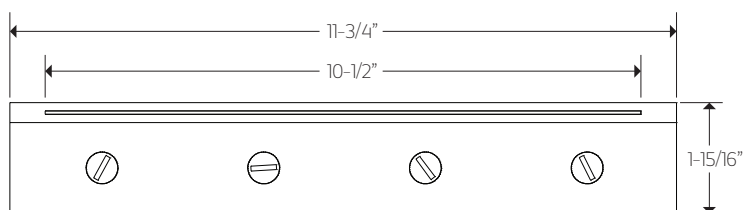
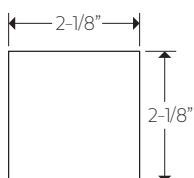
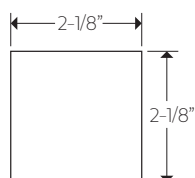
# artos<sup>®</sup>

## F402-9

## PRODUCT DIMENSIONS

3-hole wall mount tub filler

sq



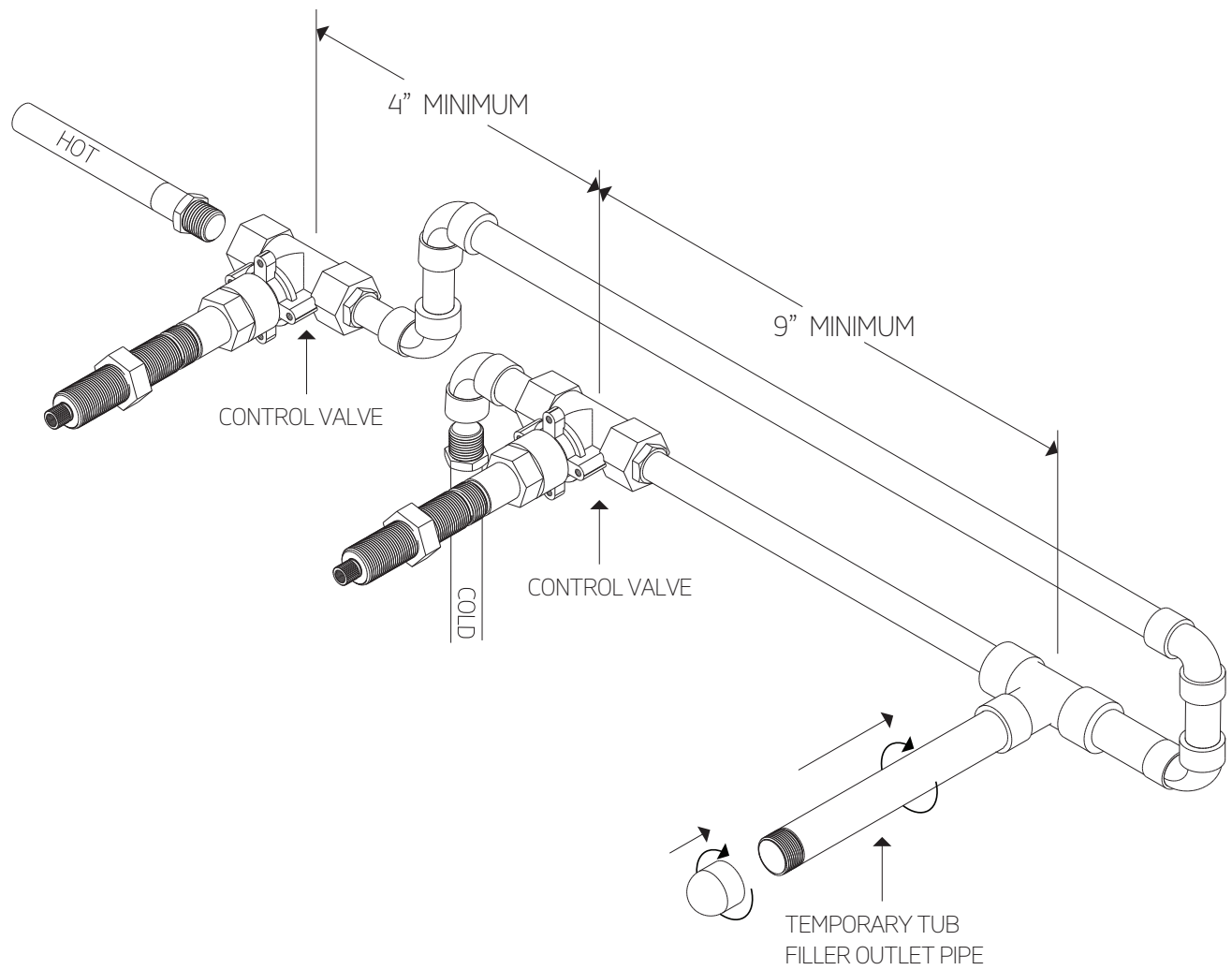
# artos<sup>®</sup>

F402-9

3-hole wall mount tub filler  
squ

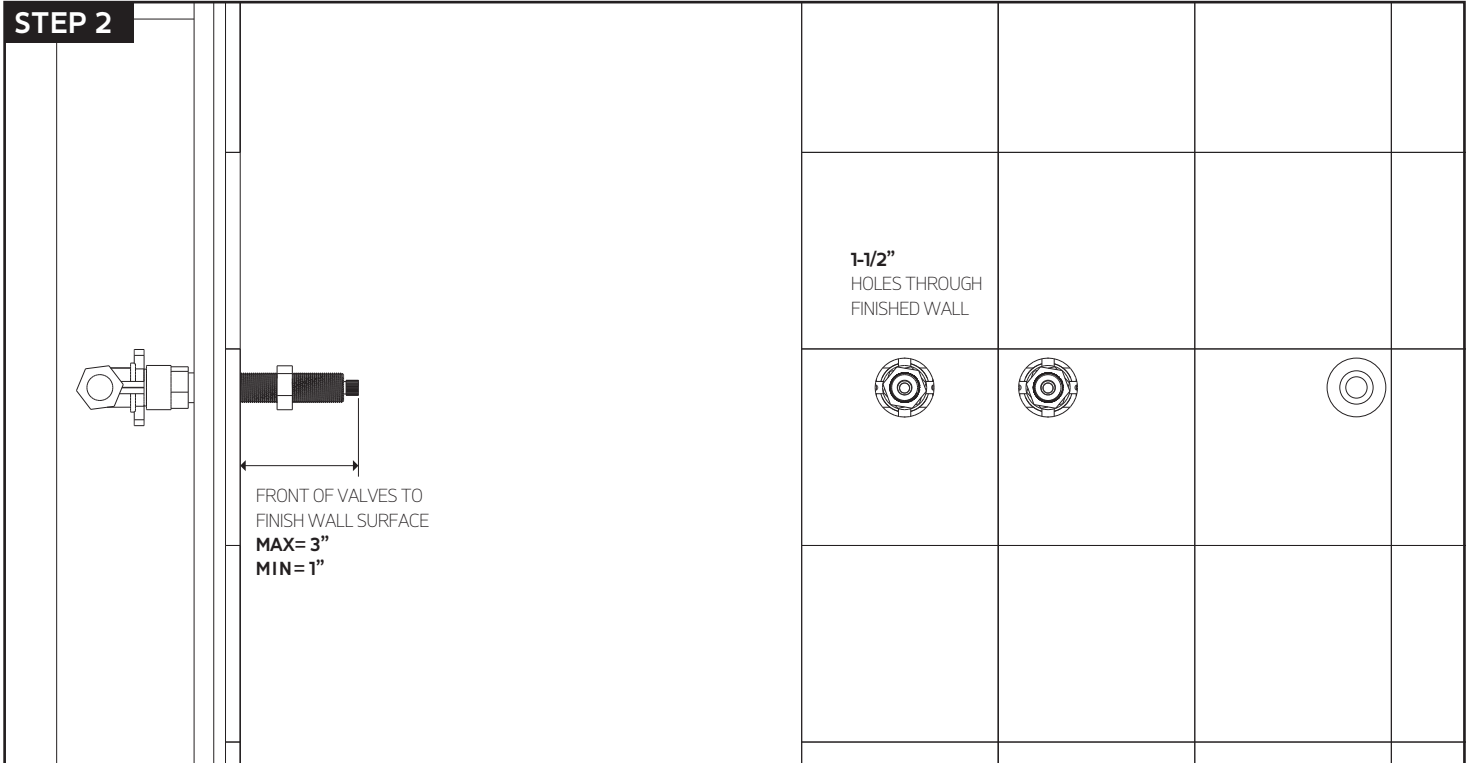
## STEP 1

**IMPORTANT: IF USING HEAT NEAR THE VALVE BODY PLEASE REMOVE CARTRIDGE.**  
**\*VALVE AND TUB FILLER PLACEMENTS ARE SUGGESTIONS**

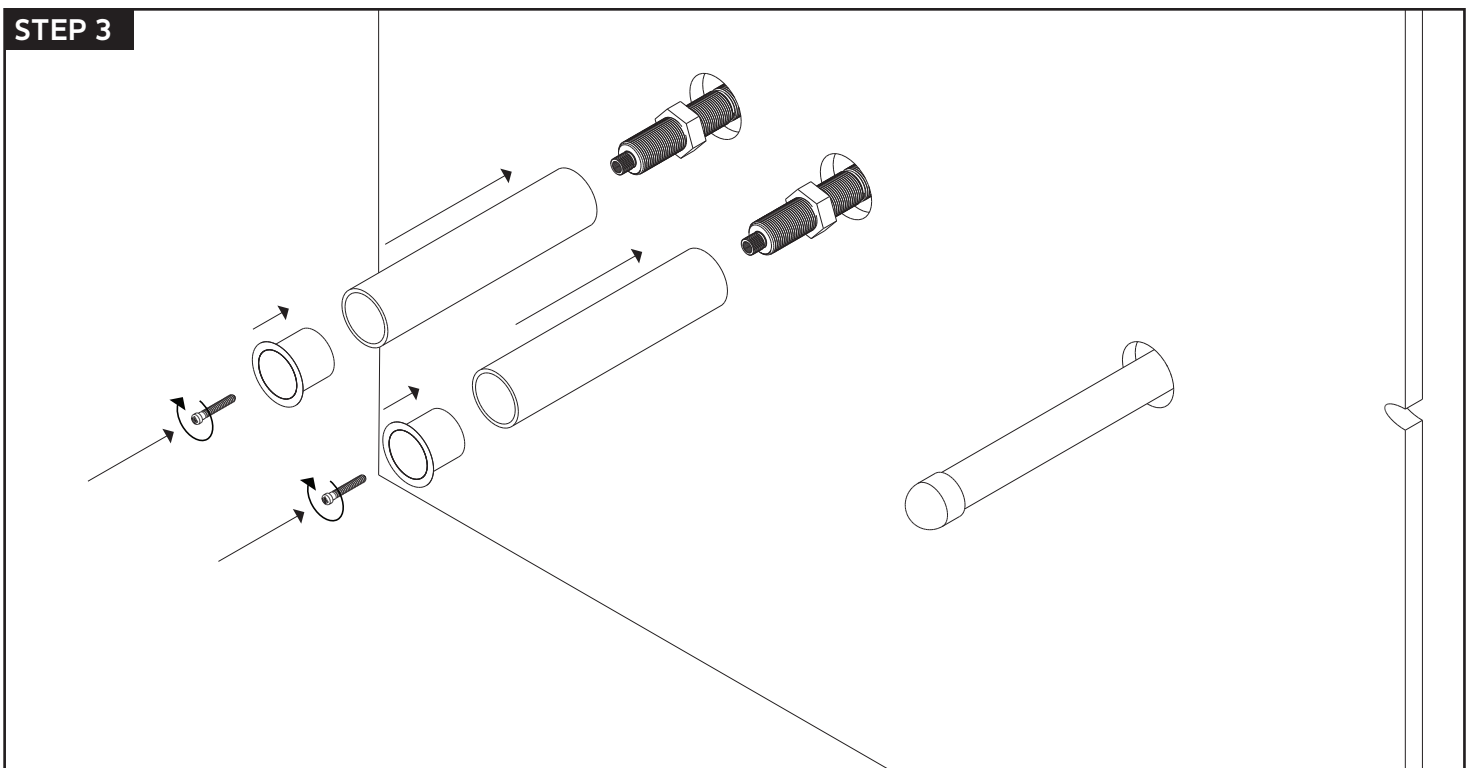


# INSTALLATION STEPS

## STEP 2



## STEP 3

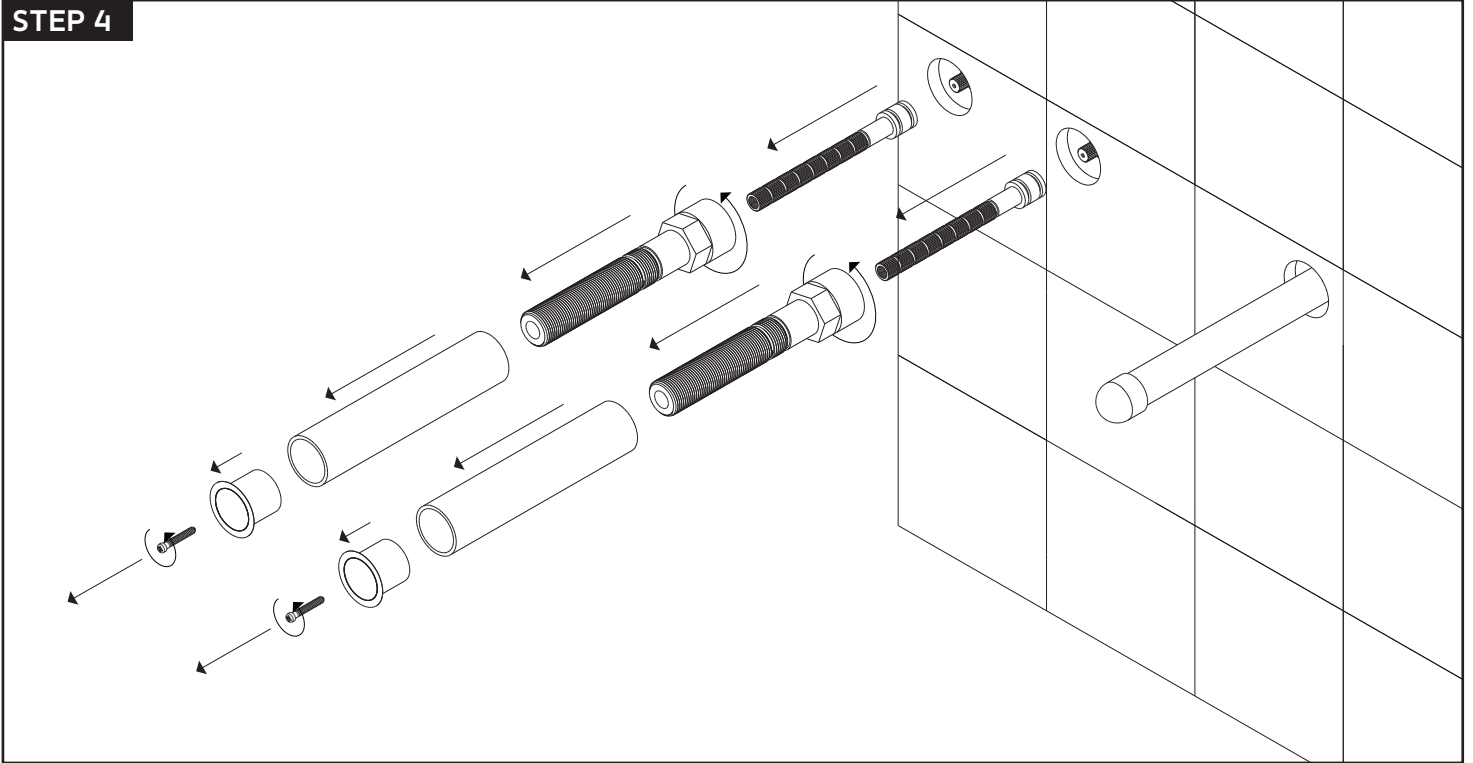


# artos<sup>®</sup>

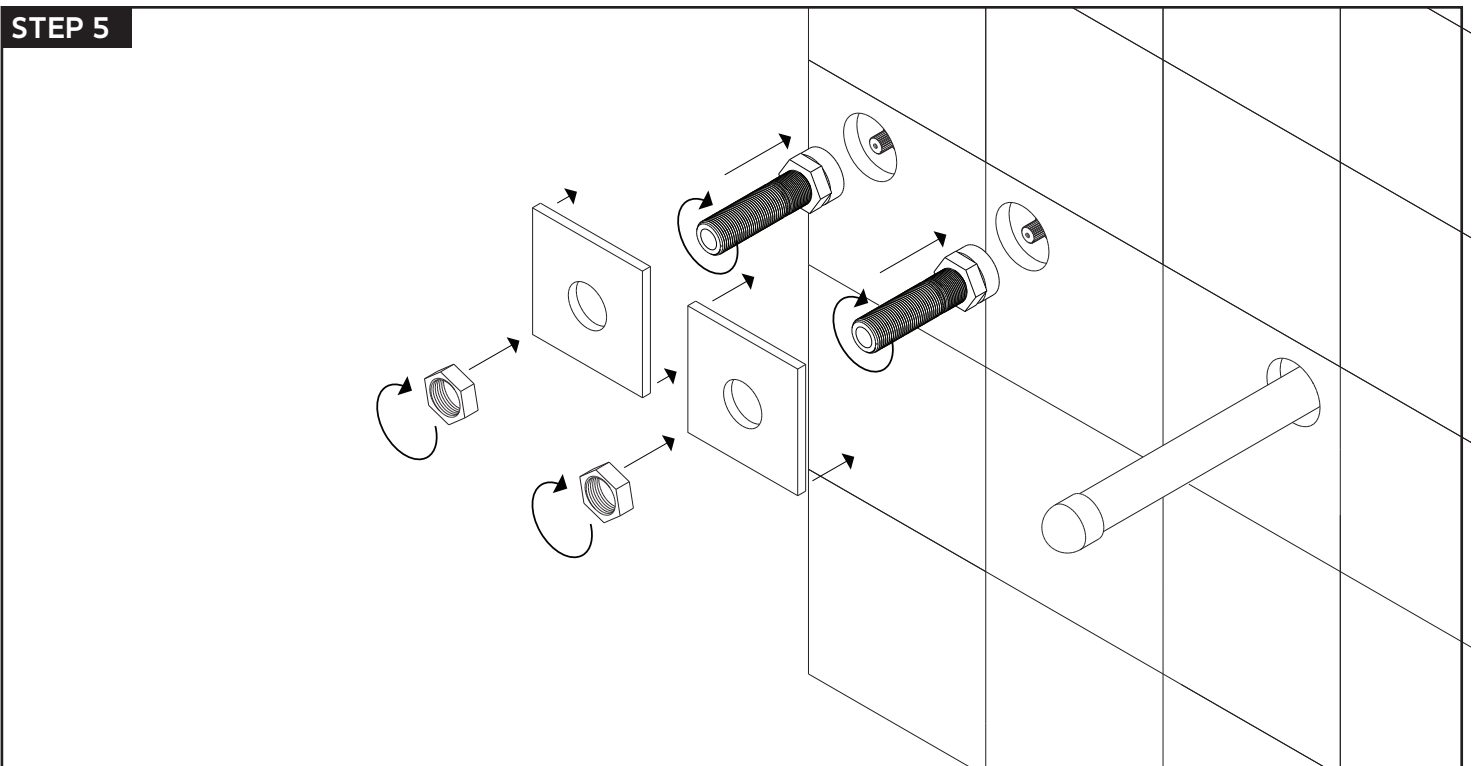
F402-9

3-hole wall mount tub filler  
squ

## STEP 4

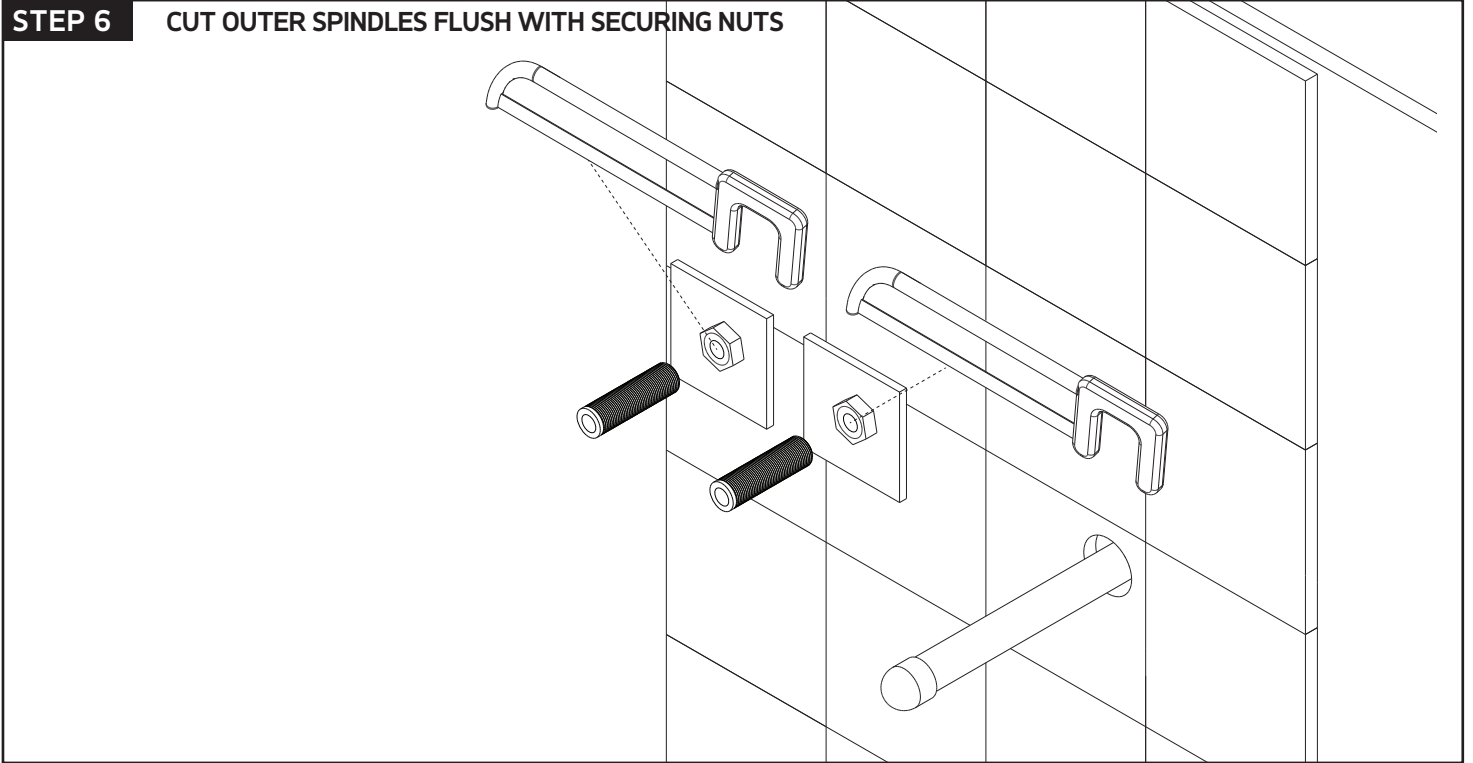


## STEP 5

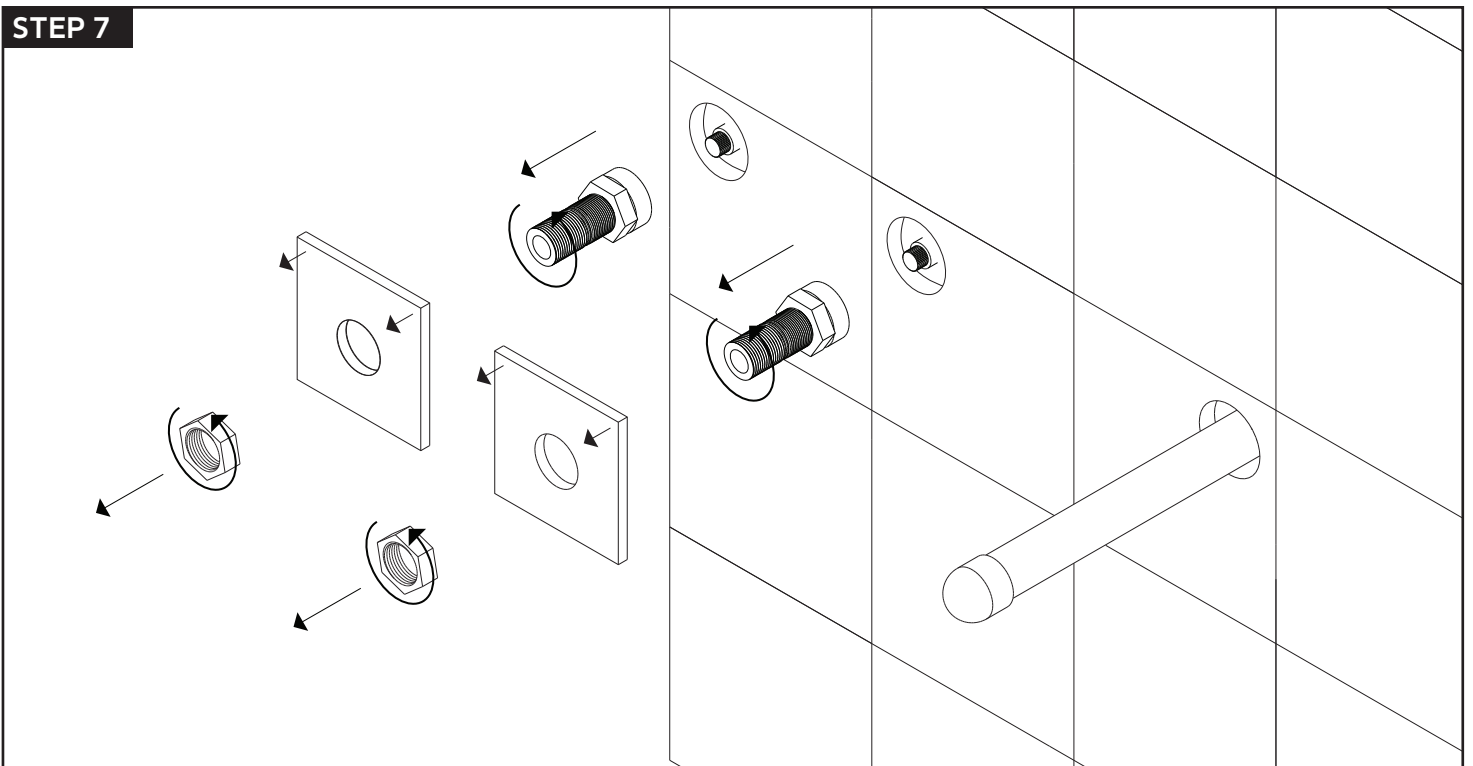


# INSTALLATION STEPS

## STEP 6 CUT OUTER SPINDLES FLUSH WITH SECURING NUTS



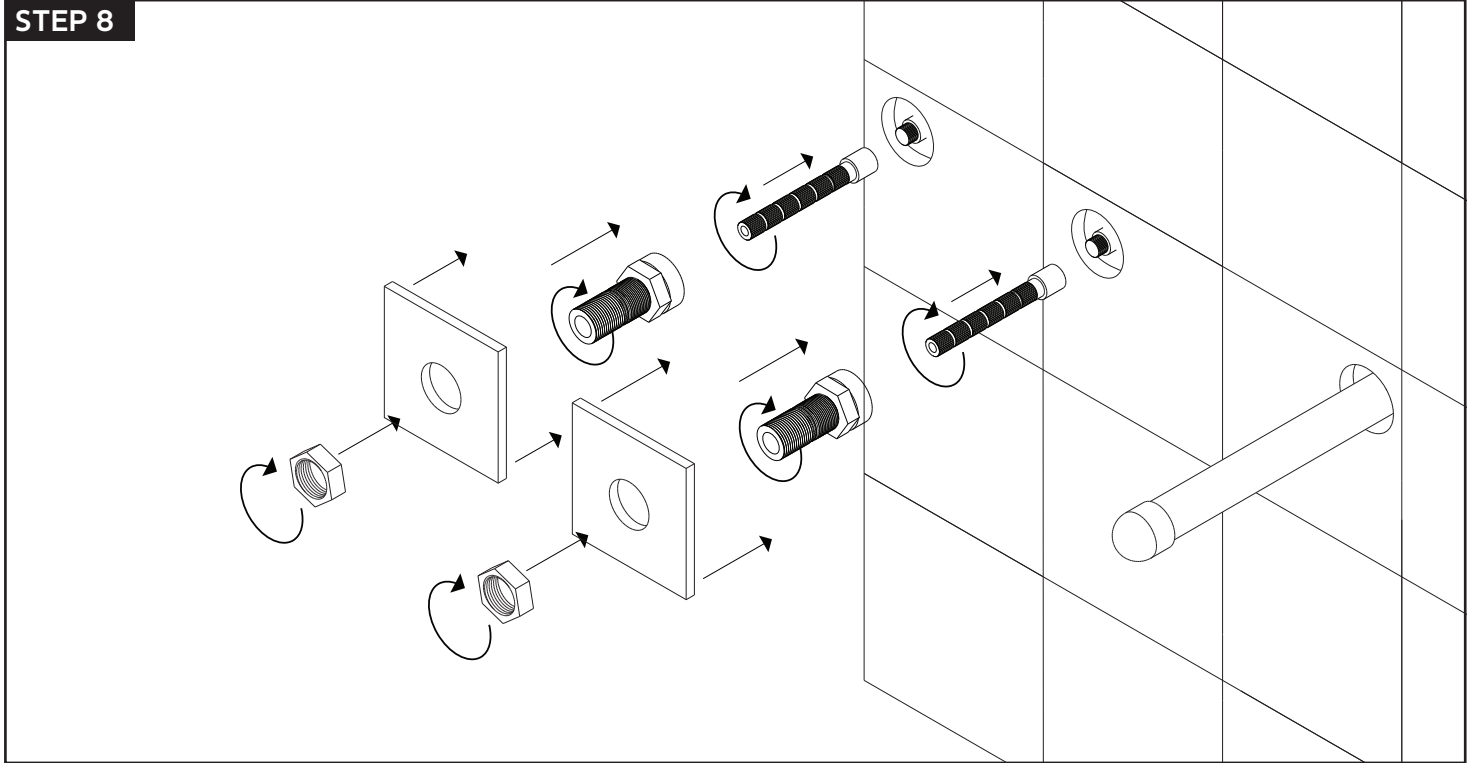
## STEP 7



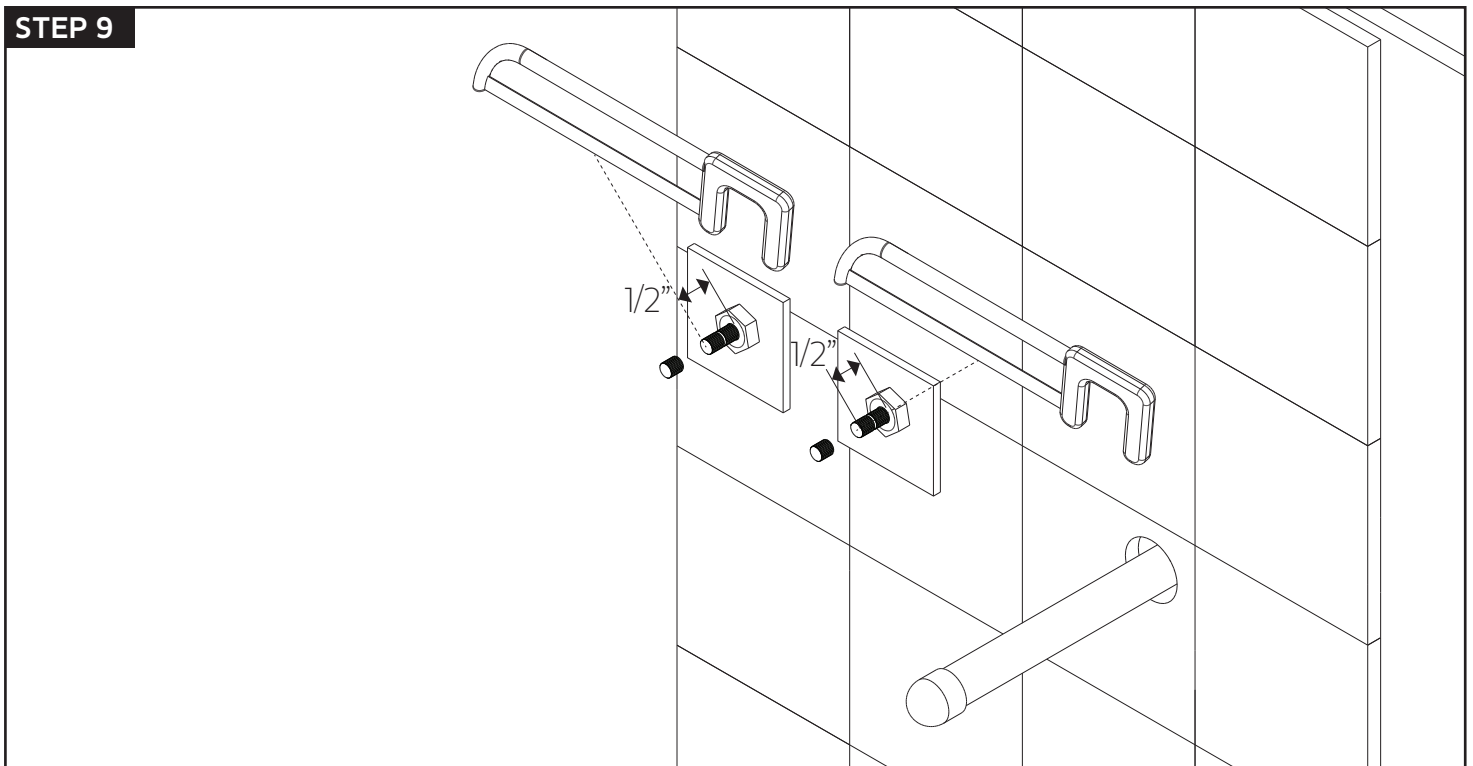
F402-9

3-hole wall mount tub filler  
squ

## STEP 8



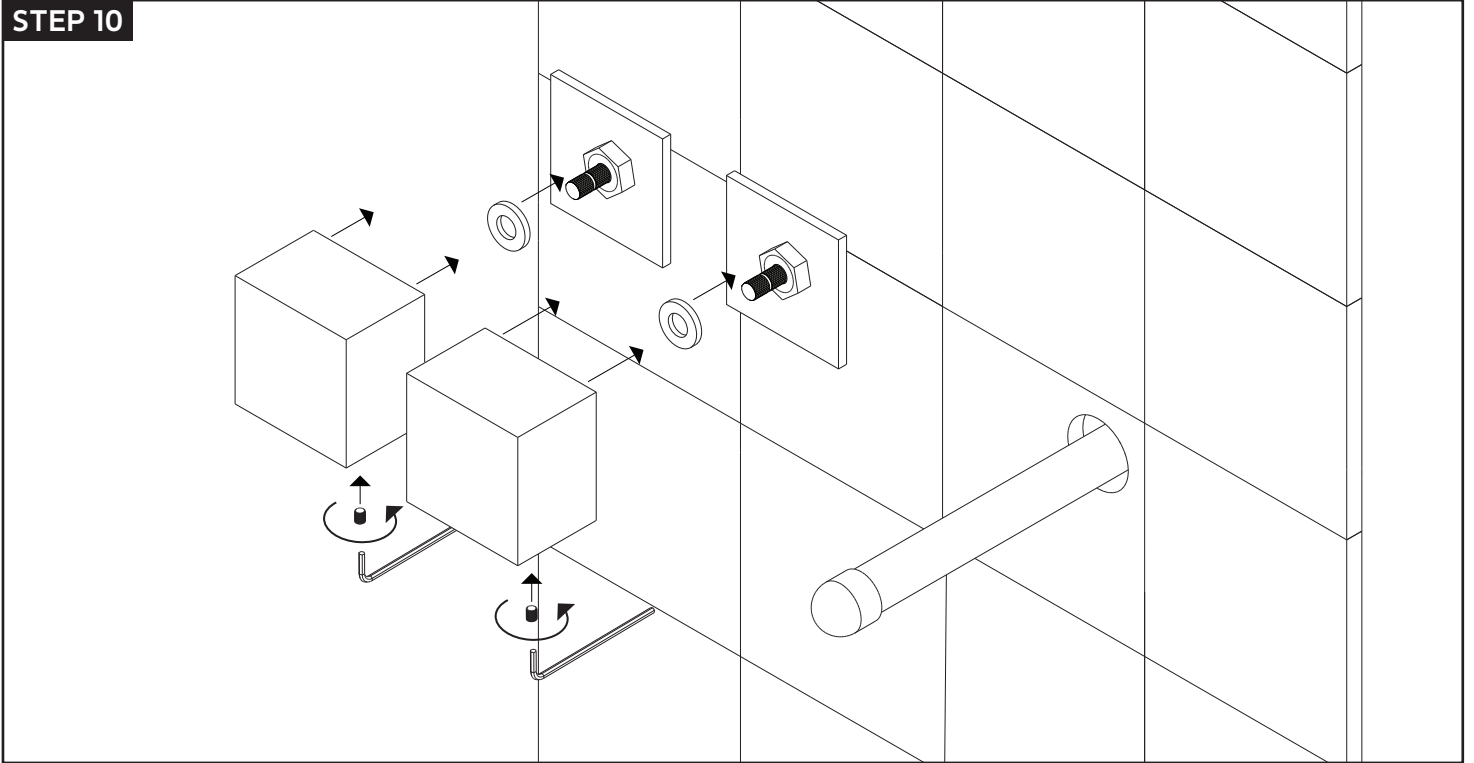
## STEP 9



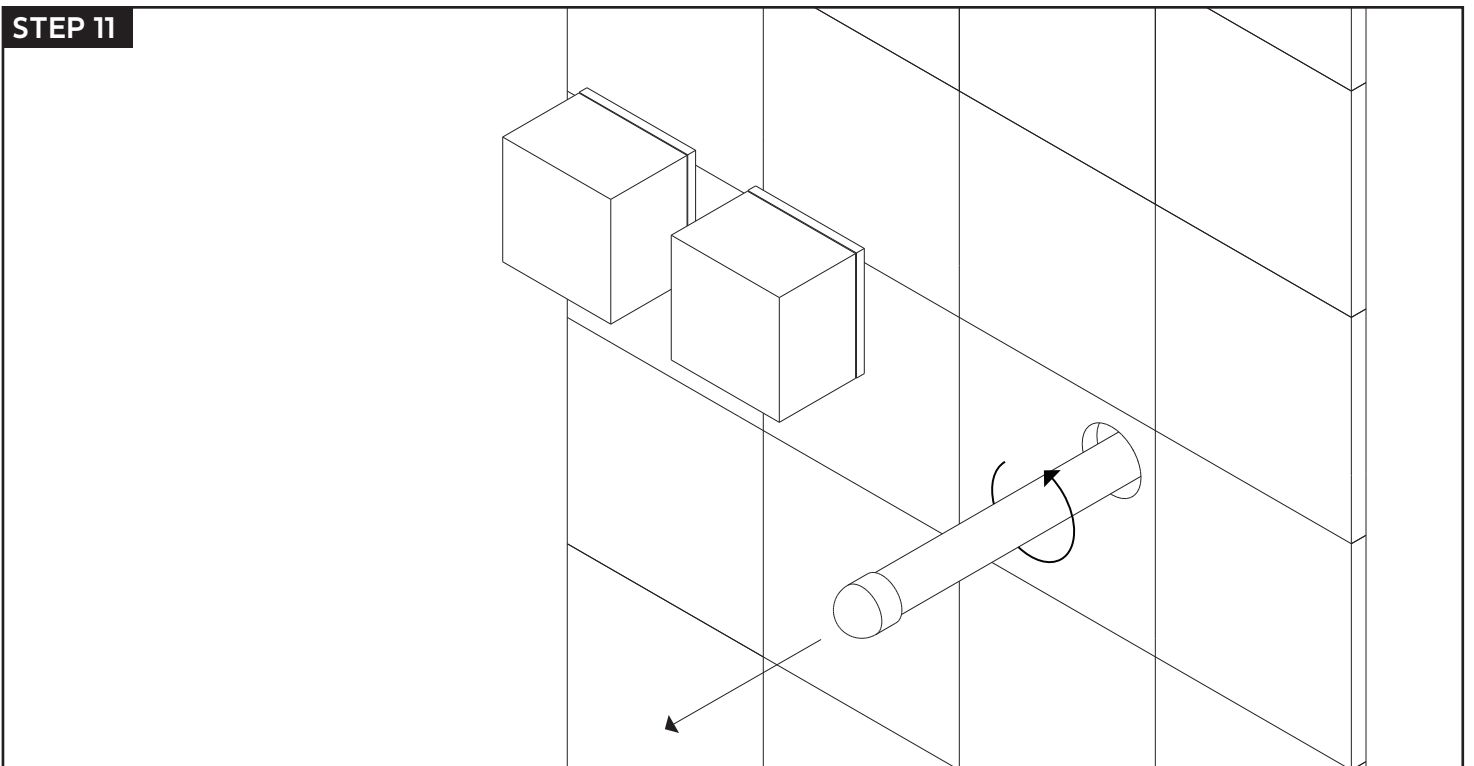


# INSTALLATION STEPS

## STEP 10



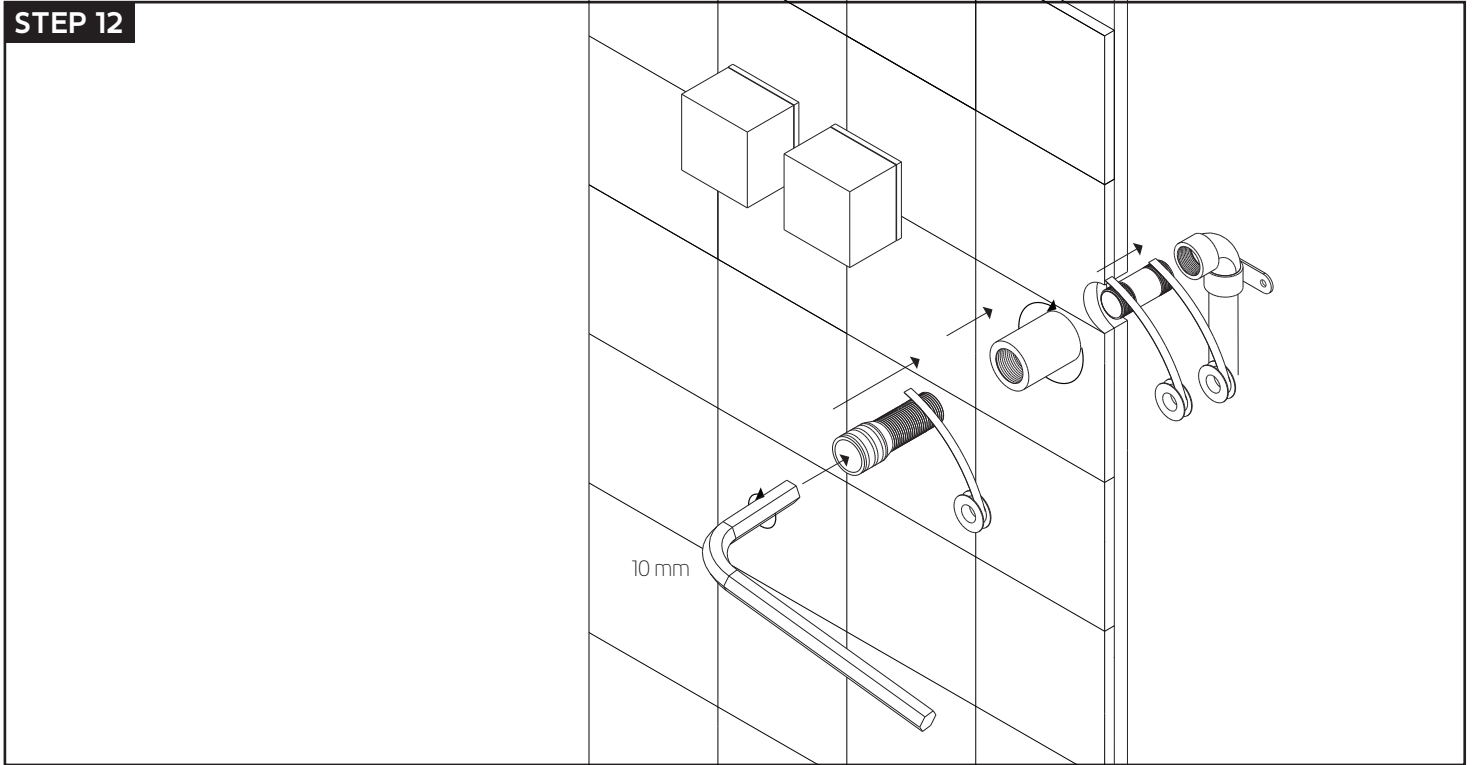
## STEP 11



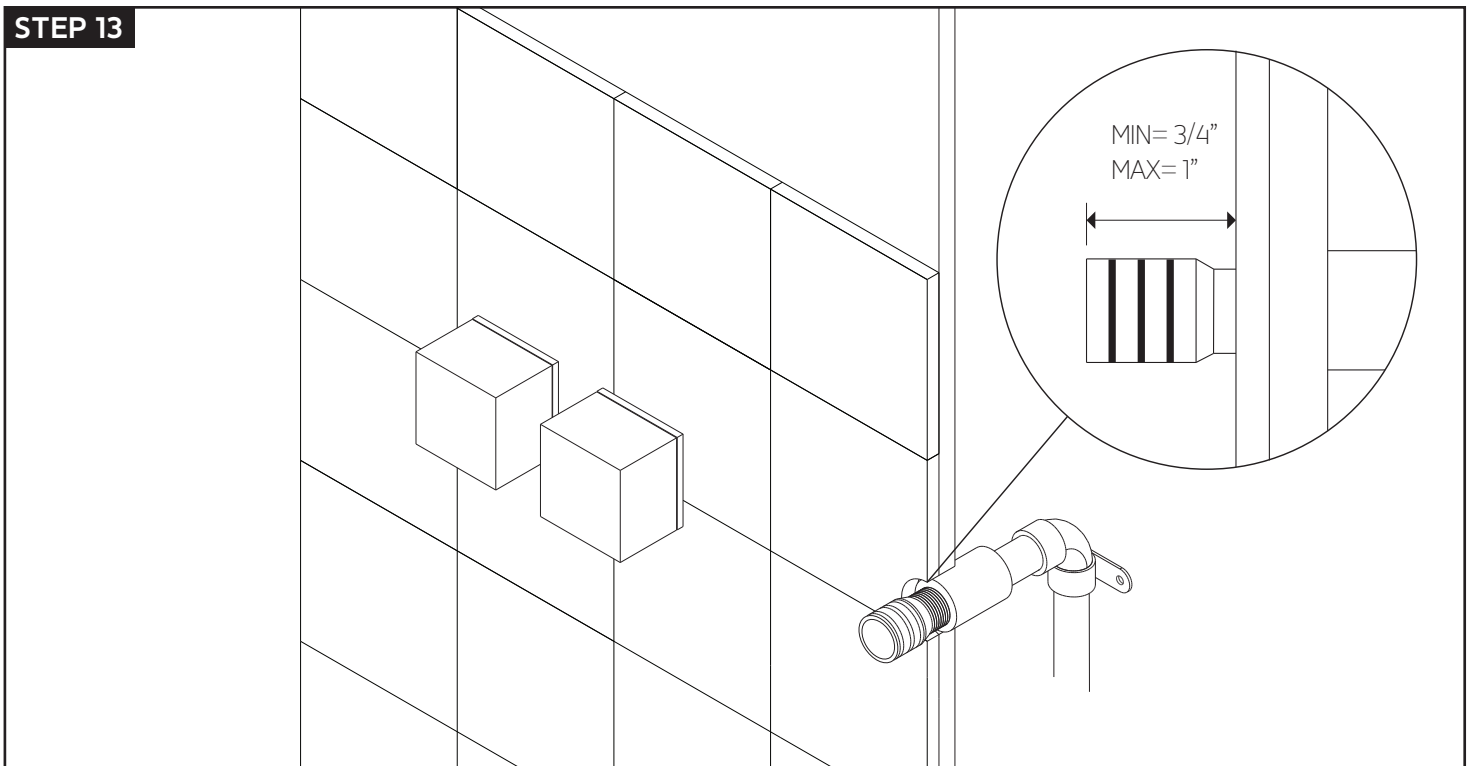
F402-9

3-hole wall mount tub filler  
squ

**STEP 12**

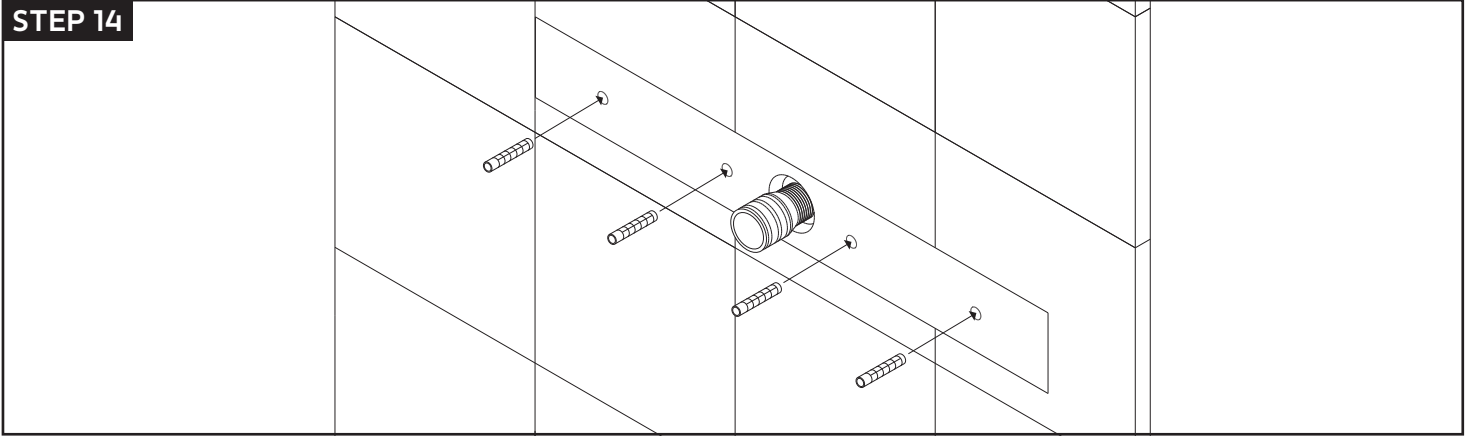


**STEP 13**

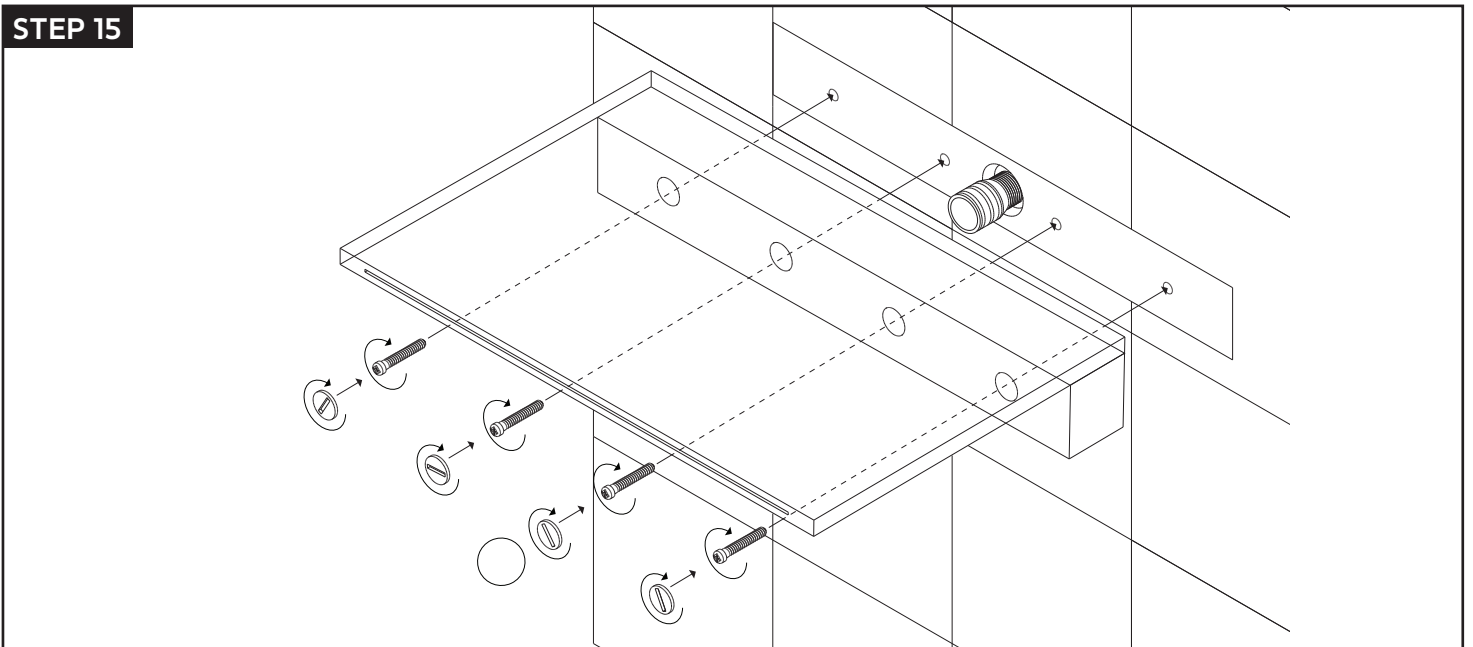


# INSTALLATION STEPS

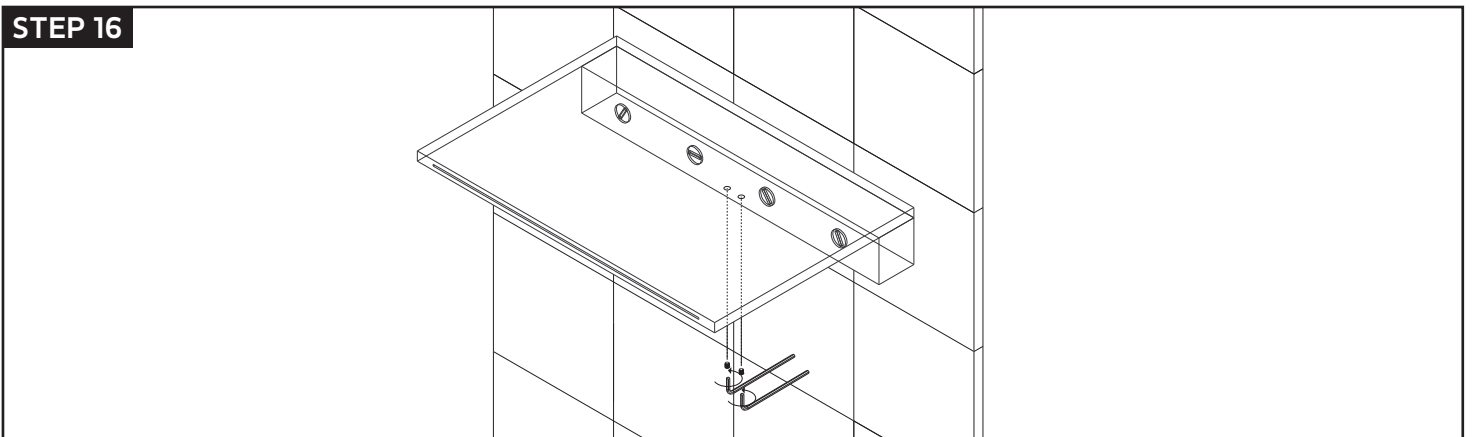
## STEP 14



## STEP 15

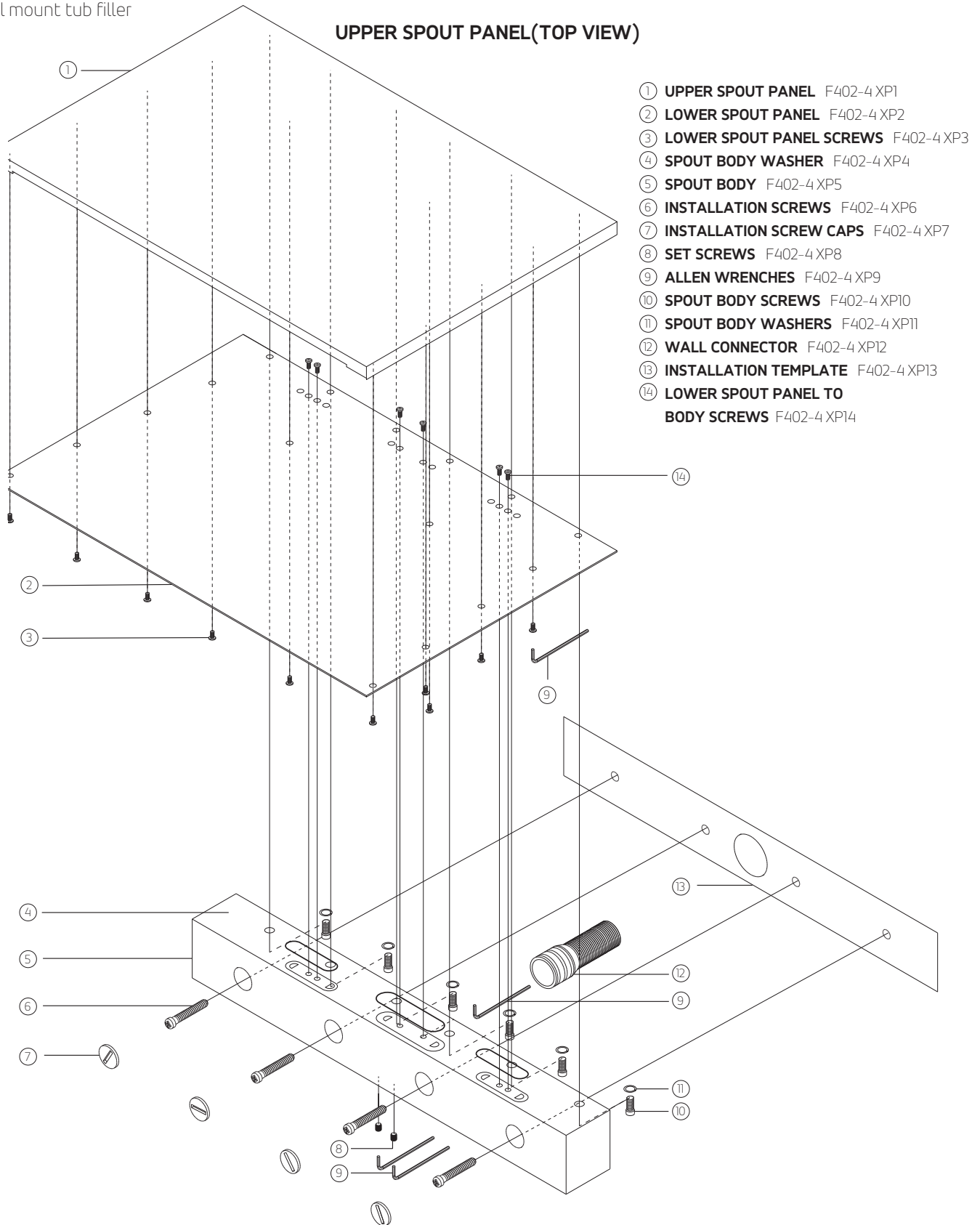


## STEP 16

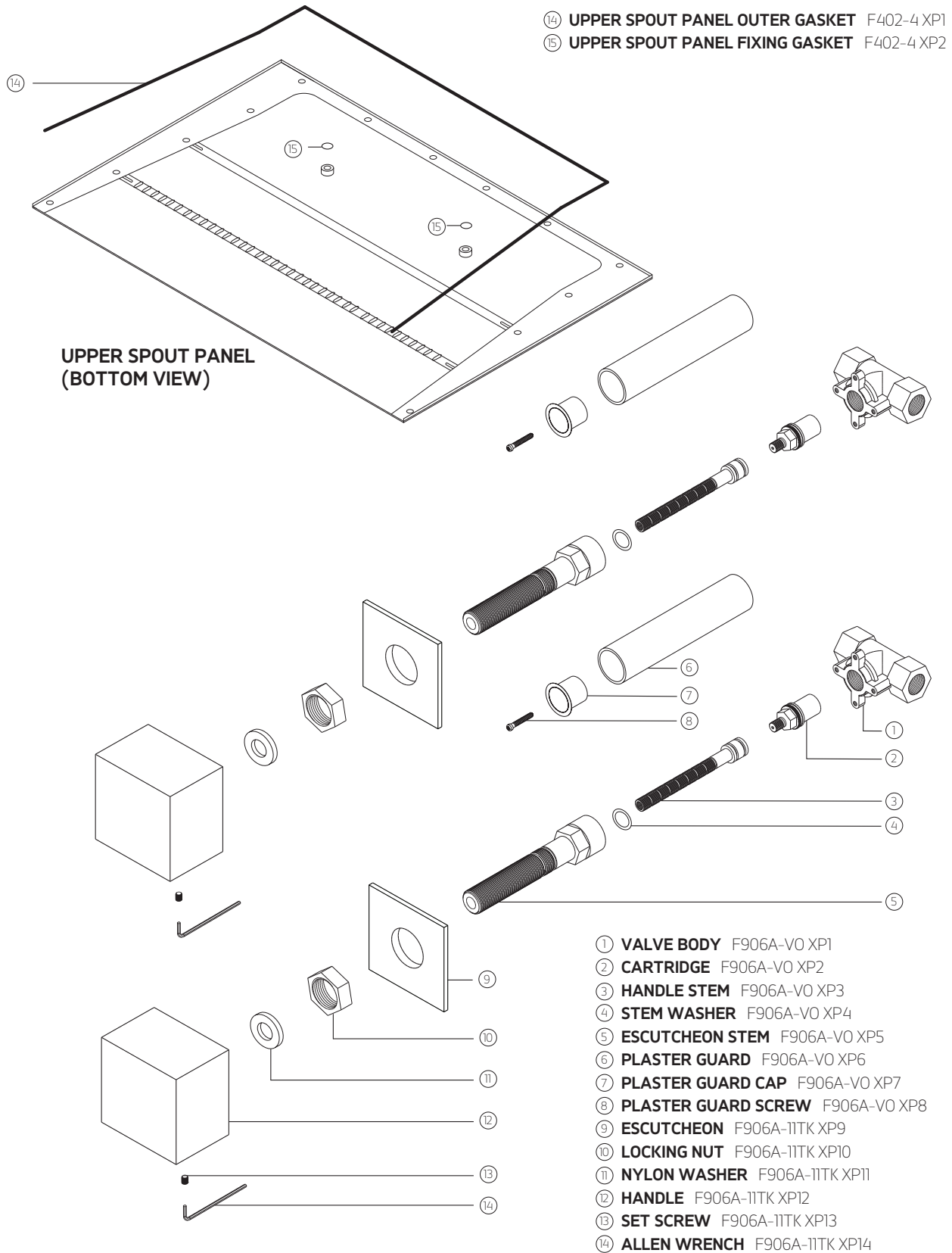


## F402-9

3-hole wall mount tub filler  
squ



# PARTS BREAKDOWN



# artos®

F402-9

**CARE & MAINTENANCE**

3-hole wall mount tub filler  
squ

For best results, keep the following in mind to retain the high quality finish of your artos® faucets:

- Use a soft, dampened sponge or cloth. On no account should you use an abrasive material such as a brush, scouring pad or steel wool to clean surfaces.
- Test your cleaning agent solution on an inconspicuous area before applying to the entire faucet.
- Wipe surfaces clean and rinse completely with water immediately after applying cleaning agent.
- An ideal cleaning technique is to rinse faucet thoroughly and blot dry any water from the surface after each use.

## **LIMITED LIFETIME WARRANTY**

**artos® faucets are guaranteed for life against leaks and finishing defects for as long as the original purchaser owns it.**

Damage caused by accident, misuse, abuse, improper installation, improper cleaning or alteration will void the warranty. This warranty does not cover replacement parts where damage is caused by normal wear and tear. Westover, Inc is not responsible for labor charges, installation or other incidental or consequential costs. Proof of purchase must be provided with all claims.

Please register this product online at [WWW.ARTOS.US.COM](http://WWW.ARTOS.US.COM)

ITEM NO. **F402-9**  
SERIAL NO.